

# FL-1500 FLOOR BOX

# FSR

## Metal Products Group

FL-1500



### DESCRIPTION

The FL-1500 floor box provides a practical solution for power, audio and video cable termination and connection. This unique floor box is designed for raised floor applications such as wooden stage and computer floors. Its dual-door design allows full access when making connections, yet only leaves a small cable opening during use.

The unit includes a blank plate for the A/V area opening that can be modified as required to suit the particular application requirement. As an option, six removable connector mounting plates are available for the FL-1500 box style with a variety of pre-punched holes to accommodate various common connector scenarios.

The durable cover of the FL-1500 is painted with Black Sandtex. There are eight 1 1/4" concentric knockouts; four on the rear, and four on the bottom. The power section has two knockouts, and the audio/video section has six. The FL-1500 box is a one piece, all welded design. The cover is manufactured from 1/8" steel plate.

### SPECIFICATIONS

Size: Top 13 1/2" x 9 1/2" x 3/16"  
Box 11 5/8" x 8" x 6"  
Weight: 13 lbs.  
Knockouts: Rear 4 either 1" or 1 1/4"  
Bottom 4 either 1" or 1 1/4"  
Finish: Black Sandtex Paint

NOTE: For use in wooden construction, or raised floors.

### ORDERING INSTRUCTIONS

#### FL-1500 Series

Item#	Part#	Description
10090	FL-1500-BLK	FL-1500 With Hinged Door in Black Sandtex Paint

#### FL-1500 Series Optional Internal Plates

16964	FL-1500-3GP	3-Gang Large Plate
16965	FL-1500-4GP	4-Gang Large Plate
16966	FL-1500-X12P	12 XLR Large Plate
16967	FL-1500-X18P	18 XLR Large Plate
16968	FL-1500-IPSP	3 x 6 IPS Openings Large Plate
17021	FL-1500-BAP	6 XLR and 2 Speakon™ Openings

Note: All Optional Internal Plates will only fit the FL-1500 or FL-2000 models only.

#### FSR Inc.

244 Bergen Boulevard, Woodland Park, NJ 07424  
Phone: 973.785.4347 · Fax: 973.785.4207  
Web: www.fsrinc.com · E-mail: sales@fsrinc.com  
Order Desk: 1-800-332-FSR1

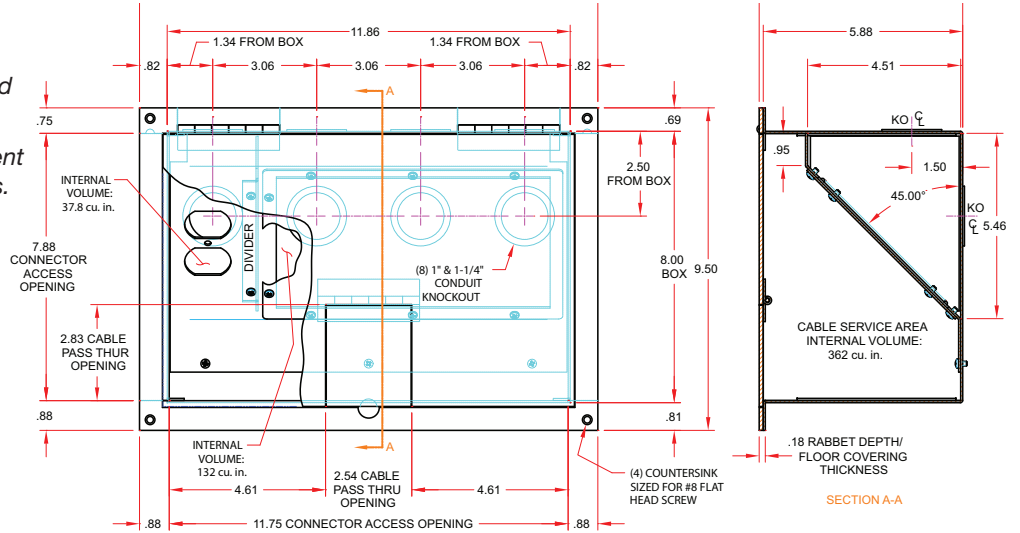
LIT1069C

# FL-1500 DIMENSION DRAWINGS

- Cut out size is 12" x 8.125"
- Opening should be rabbeted 3/16" deep; for finished wood floors only.

NOTE: the flanges are different sizes; use box to mark edges.

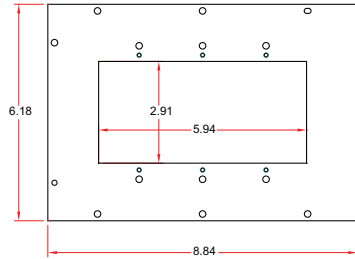
- Mount with four flat head wood screws.
- Insert bracket with three #6-32 screws (supplied).



# FL-1500 OPTIONAL INTERNAL PLATES & ARRANGEMENTS

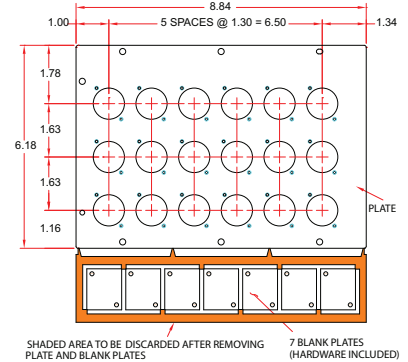
## FL-1500-3GP

3-Gang Large Plate



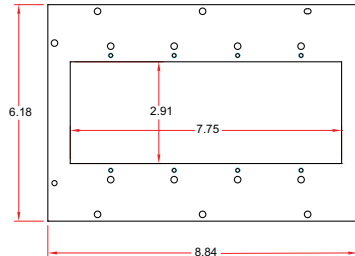
## FL-1500-X18P

18 Neutrik™ "D" size punchouts for XLR and other type connectors using the same hole pattern.



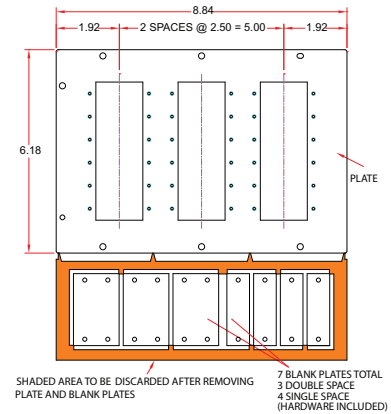
## FL-1500-4GP

4-Gang Large Plate



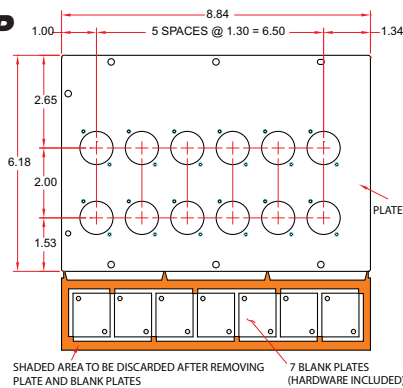
## FL-1500-IPSP

3 x 6 IPS Openings Large Plate



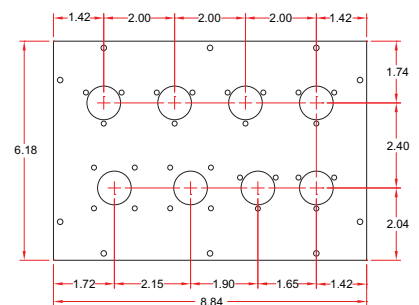
## FL-1500-X12P

12 Neutrik™ "D" size punchouts for XLR and other type connectors using the same hole pattern.



## FL-1500-BAP

6 Switchcraft™ "C" size XLR punchouts and 2 Neutrik™ type "G" Speakon™ sized punchouts.



Specifications are subject to change without notice.

## FSR

244 Bergen Boulevard, Woodland Park, NJ 07424

Phone: 973.785.4347 · Fax: 973.785.4207

Web: www.fsrinc.com · E-mail: sales@fsrinc.com