

CI-5 Series

Computer Interface Wallplate

FSR

Video Products Group

CI-5 Series



DESCRIPTION

CI-5BWPA

The CI-5BWPA is an active Computer Video and Stereo Audio interface wall plate that sends video through a line driver with cable equalization allowing cable runs of up to 200 feet. The units' video output is through a 5 BNC female cable array. The Stereo Audio output is actively balanced and is available on a 5-position screw down terminal block.

PCI-5BWA

The PCI-5BWA is a high-resolution passive computer video and stereo audio interface single gang wall plate. It interconnects an HD-15 female connector mounted on the wall plate face to a 5 BNC female cable array. The audio source enters through a mini stereo plug, is transformer balanced, and outputs on screw down terminal blocks. The PCI-5BWA is the perfect choice for any application that requires a convenient short distance connection point from your computer to your display.

All active CI-5 units are designed to precisely match the attenuation characteristics of FSR high resolution video cables. When used with FSR cables you can expect to achieve an unprecedented level of flatness in your video system. The Decora style faceplate color options are black or white. All units fit easily into any standard single gang box.

APPLICATIONS

- Boardrooms
- Education
- Training Rooms
- Rentals
- Staging Events
- Conference Centers
- Videoconferencing

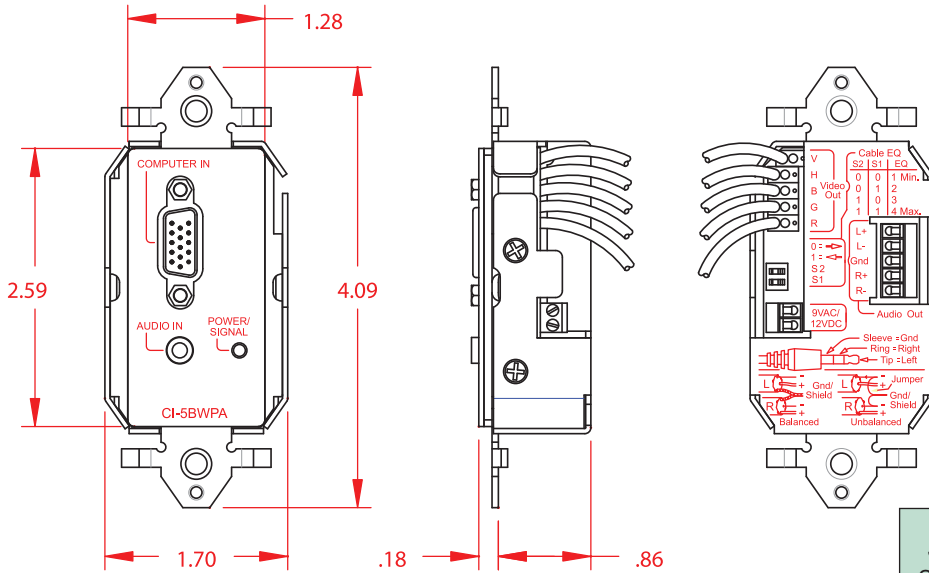
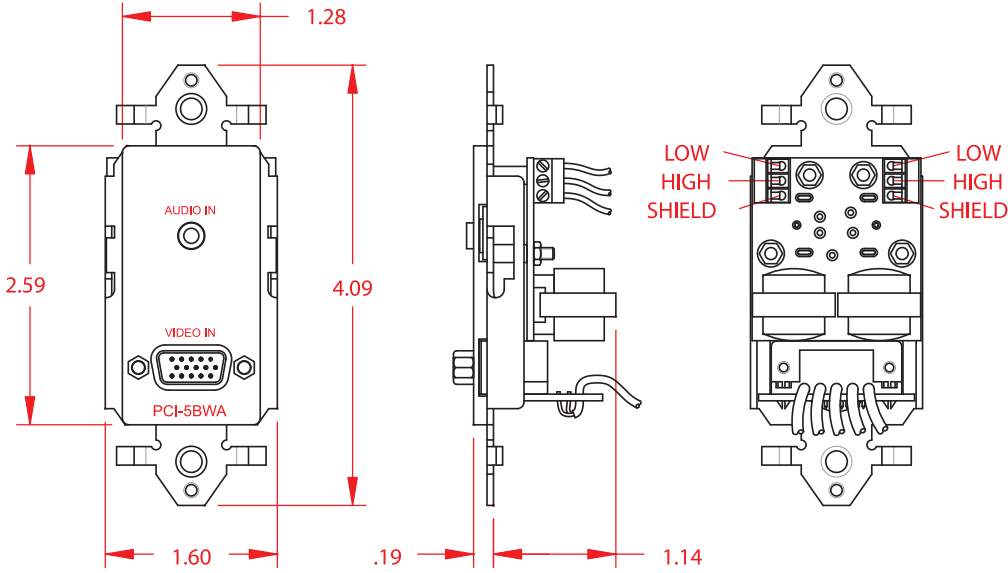
FEATURES

- Power/Signal LED Indicator
CI-5BWPA
- Colors in Black or White
- Balanced Audio
- Fit Standard Single Gang Openings
- Low Profile
- Adjustable Gain on CI-5BWPA
- Fits in FSR IPS and Smart Fit Enclosures

FSR Inc.

244 Bergen Boulevard,
Woodland Park, NJ 07424
Phone: 973.785.4347
Fax: 973.998.2300
Web: www.fsrinc.com
E-mail: sales@fsrinc.com

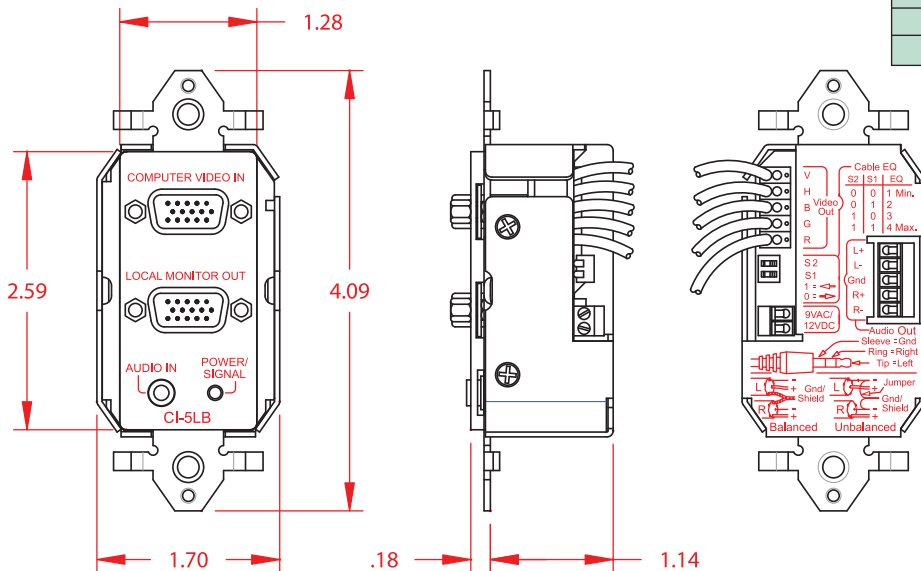
CI-5 SERIES DIMENSIONS



AMBER LED INDICATES POWER IS PRESENT

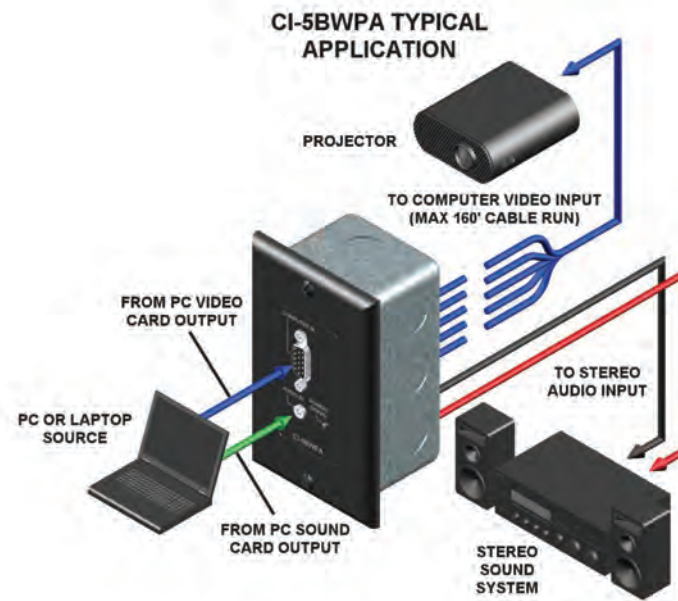
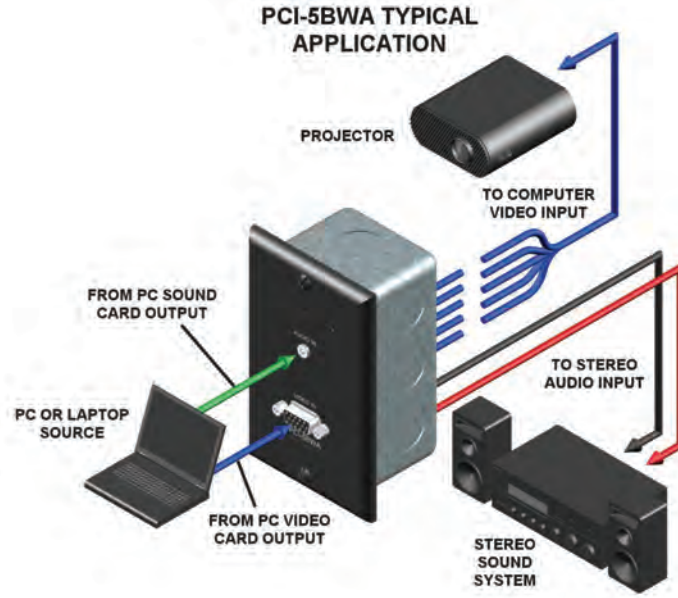
GREEN LED INDICATES HORIZONTAL SYNC IS PRESENT ON THE VIDEO INPUT

DIP SWITCH SETTINGS	POSITION		OPTIMAL CABLE LENGTH	ACCEPTABLE CABLE RANGE
	S2	S1		
OFF	0	0	50'	0-75'
LOW	0	1	100'	75-125'
MED	1	0	150'	125-175'
HIGH	1	1	200'	175-200'

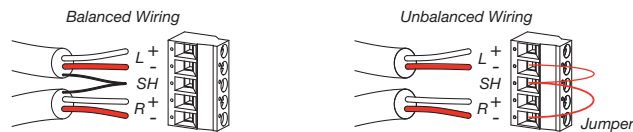


AMBER LED INDICATES POWER IS PRESENT

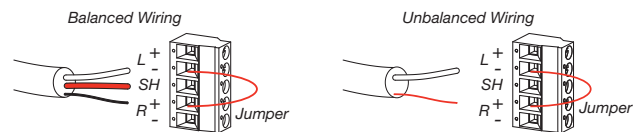
GREEN LED INDICATES HORIZONTAL SYNC IS PRESENT ON THE VIDEO INPUT



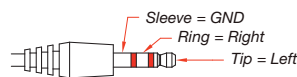
Output Connector Wiring



Mono Output Connector Wiring



Unbalanced Input Connector Pinout



TECHNICAL SPECIFICATIONS

VIDEO INPUT

Number/type: 1 VGA / SVGA / XGA / SXGA / UXGA / RGBHV / RGBS / RGsB / RsGsBs
Connectors: One 15 pin HD female
Level (nominal): Analog 0.7v p-p
Level (maximum): 2v p-p
Impedance: 75 ohms

VIDEO OUTPUT **CI-5BWPA**

Number/type: 1 VGA / SVGA / XGA / SXGA / UXGA / RGBHV / RGBS / RsGsBs
Connectors: 4" Pig-tail of 5 female BNC's (RGBHV)
Bandwidth: 700MHz @ -3.0dB (5 BNC output)
400MHz @ -3.0dB (HD-15 loopback output)
Level (nominal): Unity / User adjustable via DIP switch settings
Gain: OFF = 0' to 75' LOW = 75' to 125'
MEDIUM = 125' TO 175 HI = 175' to +200'
Impedance: 75 ohms

PCI-5BWPA (Passive)

Maximum recommended cable length when using the passive PCI-5WBPA is 50' depending on cable quality.

AUDIO

Bandwidth: 20 Hz to 20 kHz (+/-0.05dB)
THD + Noise: 0.01% @ 20 kHz at rated Max Output S/N >98dB
Noise Floor: Better than 98dB
Stereo separation: -90dB @ 1 kHz
Audio Gain +6dB

CI-5BWPA

PCI-5BWPA

100Hz to 15 kHz (+/-2dB)
0.5% between 275Hz-3.5 kHz
NA
-40dB @ 1 kHz
0dB with 1.5dBm max insertion loss

AUDIO INPUT

Number/type: 1 stereo unbalanced
Connectors: 1/8" mini connector
Impedance: 10K ohms DC coupled unbalanced
Max level: +6dBm

1 stereo unbalanced
1/8" mini connector
600 ohms
+20dBm

AUDIO OUTPUT

Number/type: 1 Balanced / Unbalanced Stereo
Connector: 5 Position Captive screw terminal
Impedance: 50 ohm
Maximum Level: 600 ohms: +12dBm Balanced / +6dBm Unbalanced
Hi - Z: +14dBm Balanced / +8dBm Unbalanced

1 Balanced / Unbalanced Stereo
2, 3 position captive screw terminals
600 ohms
+20dBm

SYNC

Input level: 2.0V to 5.0V p-p
Output level: TTL to 5.0V p-p
Input Impedance: 475 ohms
Output impedance: 75 ohms
Polarity: Positive or negative
Horizontal frequency: 15 kHz - 200 kHz
Vertical frequency: 30Hz - 150Hz

GENERAL

Power: CI-5 model: 12 VDC @ 0.09 A (included)
Mounting: Single - Gang Decora Wallplate (Included)
Colors: Black, White
Enclosure Type: Metal
Size: 4.094" H x 1.706" W x 0.65" D
Approvals: UL / CE

FSR Inc.

244 Bergen Boulevard, Woodland Park, NJ 07424
Phone: 973.998.2300 · Fax: 973.785.4207
Web: www.fsrinc.com · E-mail: sales@fsrinc.com



Specifications are subject to change without notice.