

# PTB'S

## Pop-up Table Boxes

# FSR

Metal Products Group

Pop-up Table Boxes




FSR's PTB Series of table boxes is designed to provide elegant solutions for almost any A/V integration application. Available in 2, 3, and 4 gang sizes the PTB table boxes handle data, power, and AV connections in a pneumatically powered "pop up" design.

The PTB's superior integral manual latching mechanism does not require AC or DC power to operate, simply push down on the cover of the box to raise or lower the unit in the table. FSR's pneumatic gas spring system allows for smooth lowering and raising of the box for a "high tech" look and feel. PTB's are available with either Black or Brass covers.

The UL Rated PTB boxes have 2 grounded AC receptacles on each side of the box. These do not take away any space from the plate openings. The AC receptacles are also isolated from the plate openings to alleviate interference with the audio, video, or data signals.

Each side of the PTB is available with either a 2-gang, 3-gang, or 4-gang opening, depending on the model. These openings will accept standard electrical plates that can be provided by the integrator OR they can be installed with FSR's line of IPS and "Simple Solutions" wall plates. These Decora style wall plates can be populated with snap-in connectors that provide audio, video, data, and control connections to the AV System.

### FEATURES

- A mere 5" high in the open position
- Black or Brass cover and bezel
- Available in 2-gang, 3-gang, and 4-gang sizes
- 2 AC receptacles on each side
- Adjust to table depths in 1/4" increments
- Accepts FSR's IPS and "Simple Solutions" Decora wall plates
- Mechanical latch
- Pneumatic gas spring system 
- UL Rated

### APPLICATIONS

- Boardrooms
- Education
- Training Rooms
- Rentals
- Staging Events
- Conferences Centers
- Video conferencing

### ORDERING INFORMATION

Part Number	Description
<b>PTB - 2G-BLK</b> <b>PTB - 2G-BRS</b>	Pop-Up Table Box w/2-Gang opening & AC on each side. Covers available in Black or Brass.
<b>PTB - 3G-BLK</b> <b>PTB - 3G-BRS</b>	Pop-Up Table Box w/3-Gang opening & AC on each side. Covers available in Black or Brass.
<b>PTB - 4G-BLK</b> <b>PTB - 4G-BRS</b>	Pop-Up Table Box w/4-Gang opening & AC on each side. Covers available in Black or Brass.

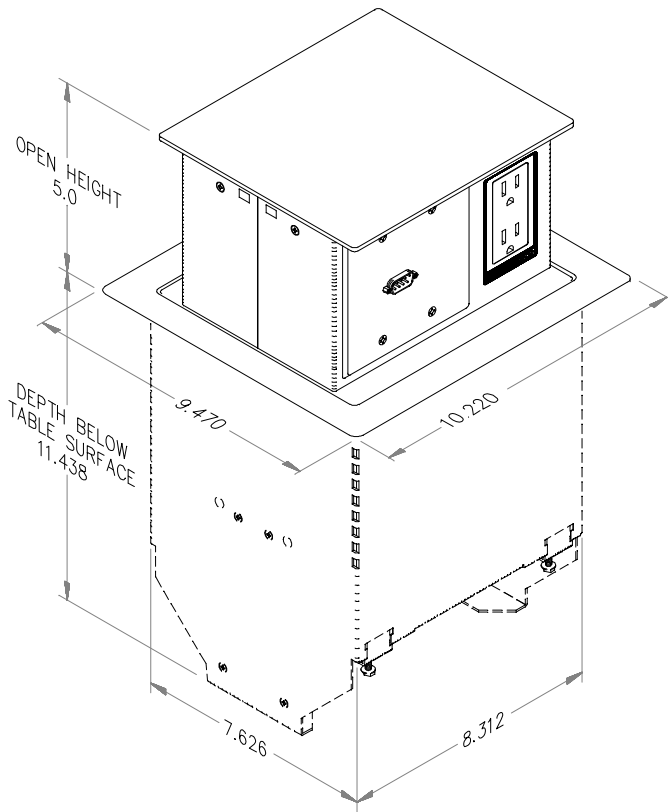
## FSR Inc.

244 Bergen Boulevard, Woodland Park, NJ 07424  
 Phone: 973.785.4347 · Fax: 973.785.4207  
 Web: www.fsrinc.com · E-mail: sales@fsrinc.com

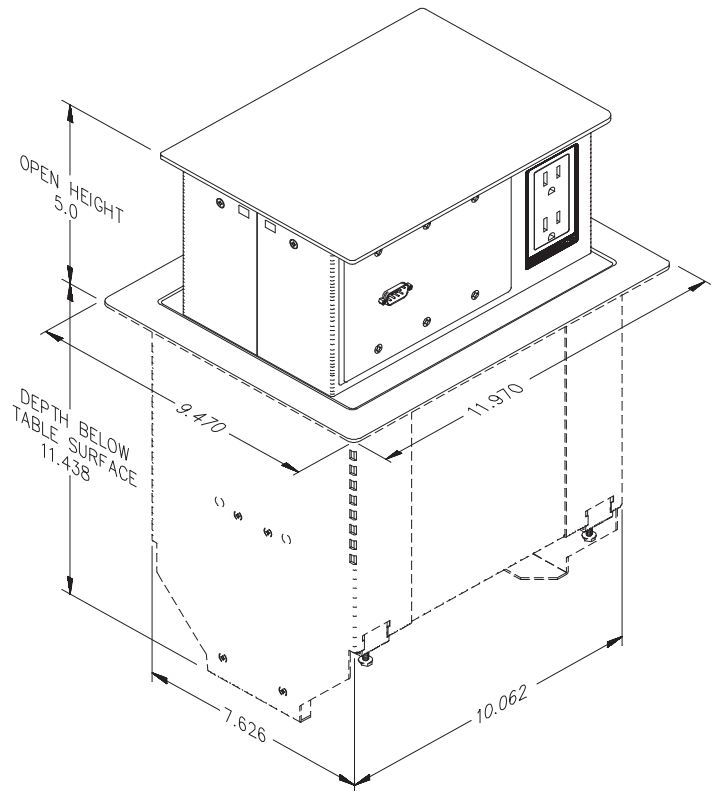
LIT1060A

**Typical Assembly**

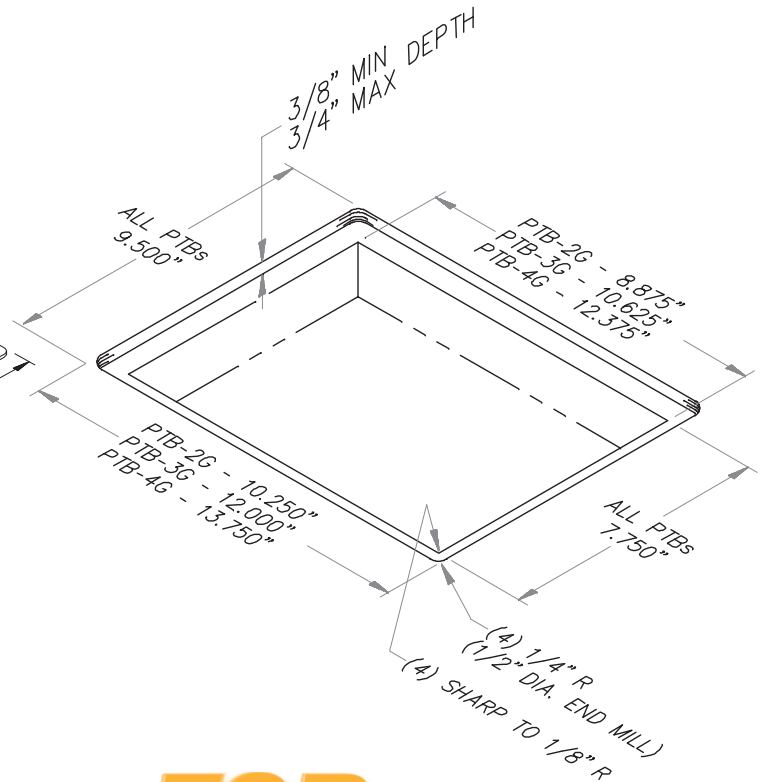
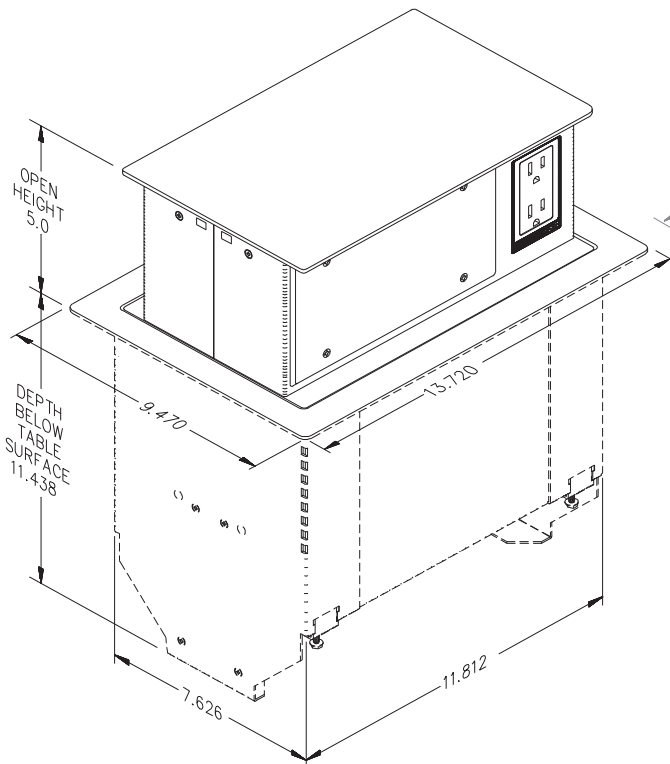
**PTB-2G**



**PTB-3G**



**PTB-4G**



**FSR**

244 Bergen Boulevard, Woodland Park, NJ 07424  
 Phone: 973.785.4347 · Fax: 973.785.4207  
 Web: www.fsrinc.com · E-mail: sales@fsrinc.com



Specifications are subject to change without notice.