

Touchscreen Wall Plate Covers

Your Ultimate Wall Plate Security Solutions



Metal Products Group



Surface Mount 7" Shown



Flush Mount 10" Shown

DESCRIPTION

FSR's surface-mount touchscreen wall boxes are metal locking covers with clear acrylic windows designed to protect and restrict access to 5 to 10-inch touch panels mounted on a 2-gang back box. Compatible with controllers up to 10.7" W x 7.2" H x 1.17" D, these wall boxes ensure clear visibility of wide-format displays while maintaining a sleek, low-profile design. The flush-mount touchscreen wall boxes offer the same protection and monitoring features as their surface-mount counterparts but are designed to install flush to the wall. The flush-mount models are compatible with controllers up to a maximum panel size of 10.3" W x 8" H x 1.75" D. Panels with other mounting requirements can be supported; contact the factory for details. The flush mount is designed to blend seamlessly with any environment and boasts a sleek, flush design. The 180-degree hinge design allows the door to lay flat against the wall when open, providing users with unencumbered access to the front panel and making maintenance and operation hassle-free. The enclosure can be installed in landscape or portrait orientation; in landscape, the door can be mounted to open left or right; in portrait, the door swings up or down. Our surface and flush mount touchscreen wall boxes provide security against unauthorized access while allowing users to monitor the control panel's status through the clear window without opening the locked door.

7"
Flush
Mount



10"
Flush
Mount



FEATURES

- Mounts a variety of 5", 7", and 10" 2-gang touch panels (VESA and 3-gang mounts available)
- Available in surface mount and flush mount (See ordering chart for further details)
- Locking metal door for enhanced security
- Fully supported clear acrylic window for monitoring panel status without opening the door
- Sleek, low-profile design

Flush Mount Model

- Adjustable depth mounting plate for flexibility
- Metal cover lays flush to the wall
- Touch to open locking door
- Provided custom metal back-box
- Mounts in new and old work applications

APPLICATIONS

- Schools
- Hotels
- Conference Rooms
- Airports
- Arenas
- Houses of Worship

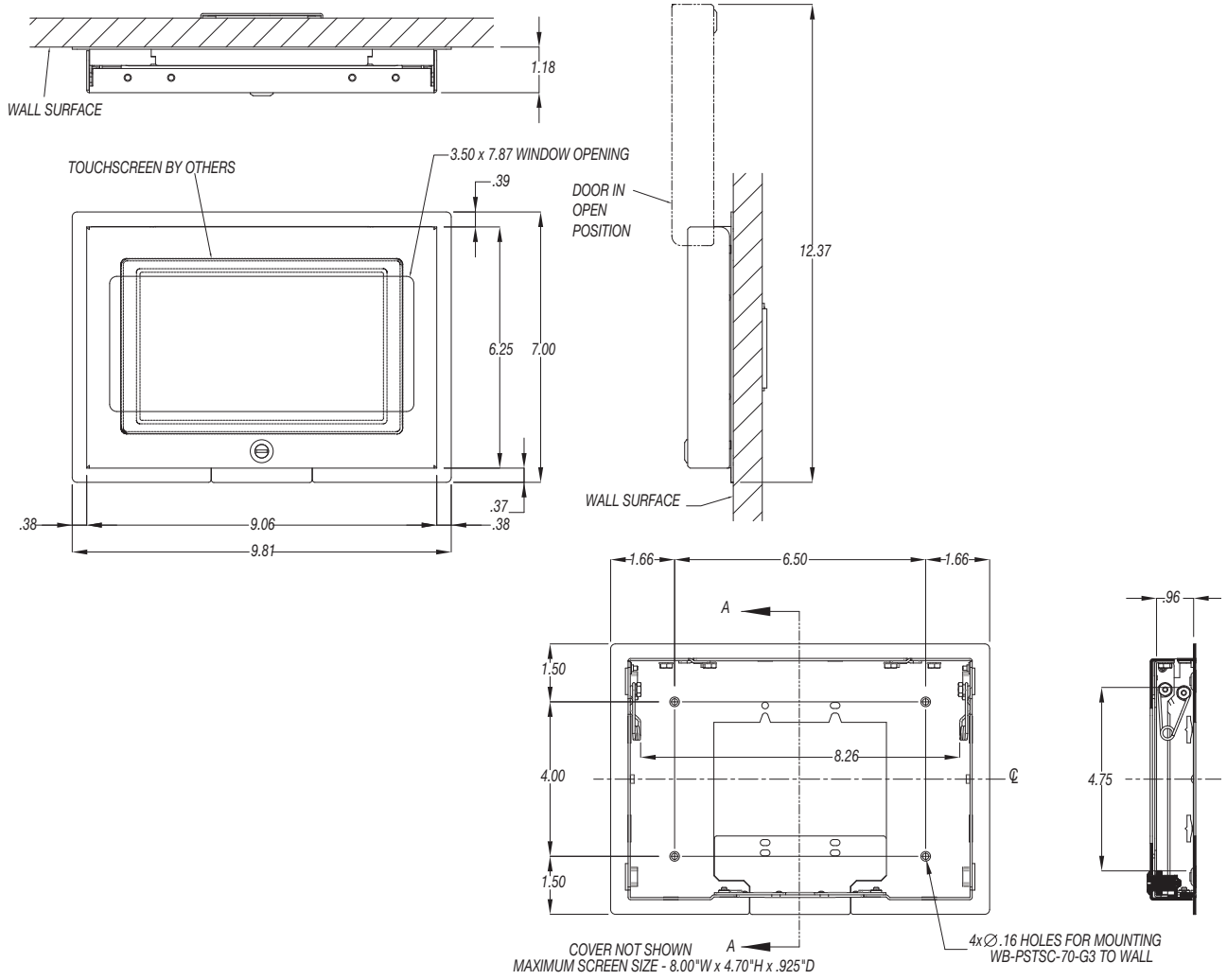


FSR Inc.

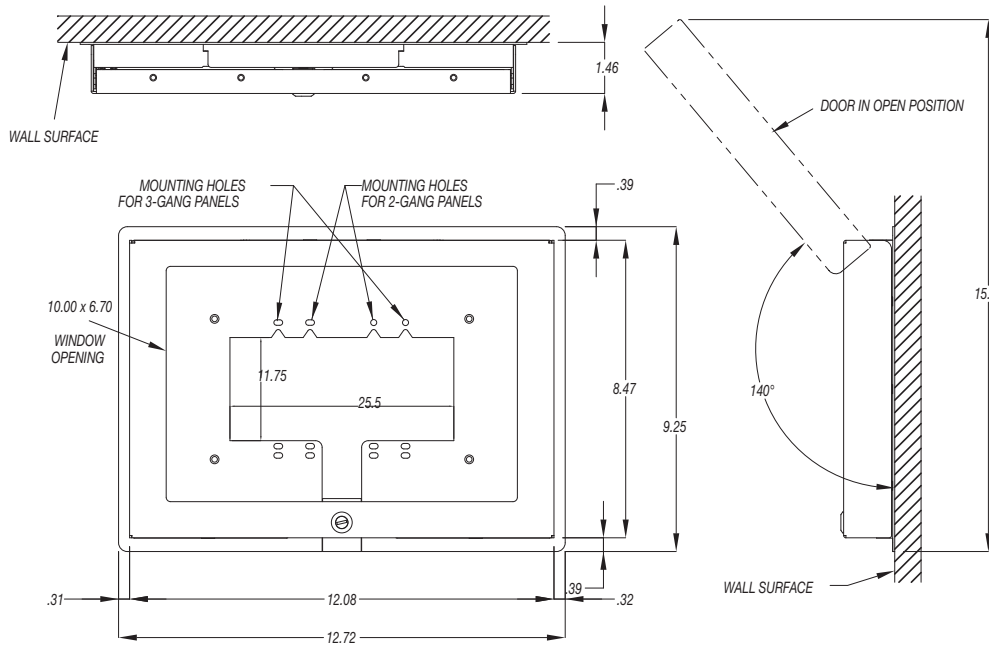
244 Bergen Boulevard, Woodland Park, NJ 07424
Phone: 973.998.2300 · Fax: 973.785.4207
Web: www.fsrinc.com · E-mail: sales@fsrinc.com
Order Desk: 1-800-332-FSR1

7" & 10" SURFACE MOUNT COVER DIMENSIONS

7" Surface Mount



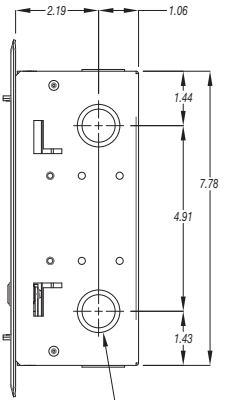
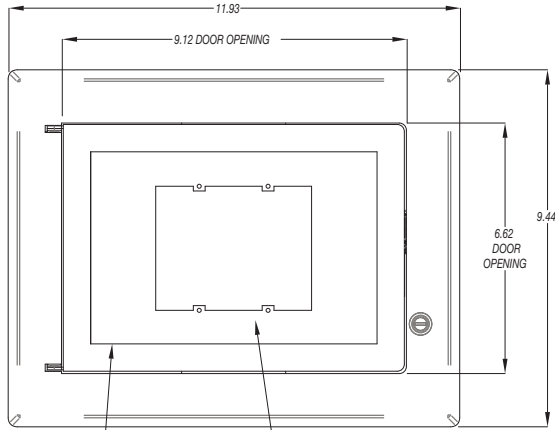
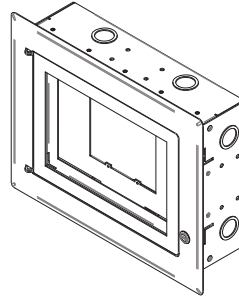
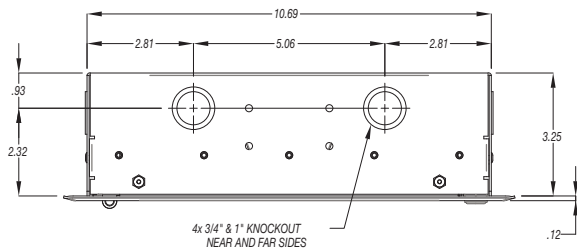
10" Surface Mount



MAXIMUM TOUCH SCREEN SIZE 10.7" x 7.2" x 1.17"

7" & 10" FLUSH MOUNT & BACK BOX COVER DIMENSIONS

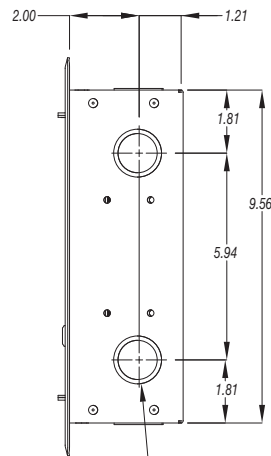
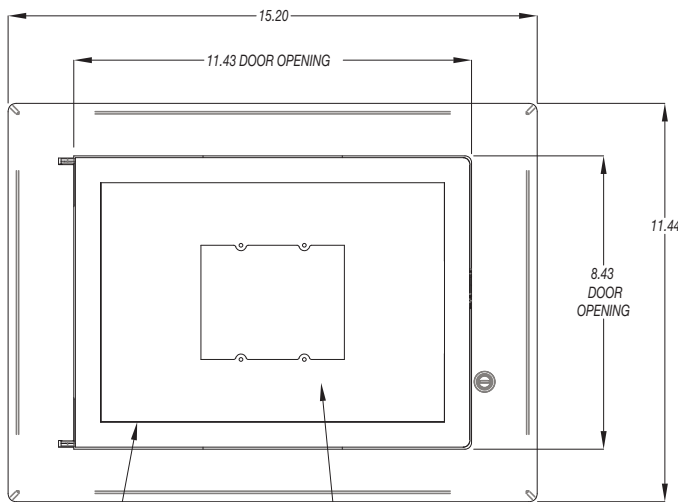
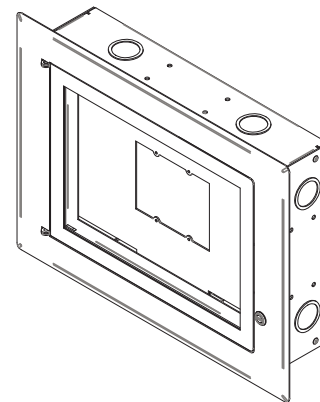
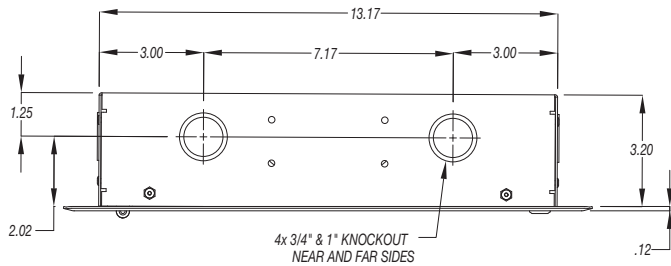
7" Flush Mount



7.50 x 5.00 WINDOW OPENING

2-GANG PLATE FOR MOUNTING TOUCH PANEL
TOUCH PANEL MAXIMUM SIZE 7.38"W x 5"H x 1.75"D, 3" TOTAL DEPTH
OR MAXIMUM SIZE PANEL 8"W x 5.5"H x 1.25"D, 2.25" TOTAL DEPTH
VESA 75mm x 75mm PLATE INCLUDED
3-GANG PLATE SOLD SEPARATELY

10" Flush Mount



9.88 x 6.88 WINDOW OPENING

2-GANG PLATE FOR MOUNTING TOUCH PANEL
TOUCH PANEL MAXIMUM SIZE 9-7/8"W x 6-7/8"H x 1-3/4"D, 3.6" TOTAL DEPTH
OR MAXIMUM SIZE PANEL OF 10.3"W x 8"H x 1.25"D, 2.4" TOTAL DEPTH
VESA 75mm X 75mm PLATE INCLUDED

4x 3/4" & 1" KNOCKOUT
NEAR AND FAR SIDES

ORDERING INFORMATION

ITEM	PART #	DESCRIPTION
18600	WB-TSC-SM-7	Surface mount 7" touchscreen wall box with locking cover with a window in white
18691	WB-TSC-SM-10	Surface mount 10" touchscreen wall box with locking cover with a window in white
18680	WB-TSC-FM-7	Flush mount 7" touchscreen wall box with locking cover with a window in white
18681	WB-TSC-FM-10	Flush mount 10" touchscreen wall box with locking cover with a window in white



244 Bergen Boulevard, Woodland Park, NJ 07424
 Phone: 973.998.2300 · Fax: 973.785.4207
 Web: www.fsrinc.com · E-mail: sales@fsrinc.com

