

SMART-WAY RACEWAY STAIR RISER

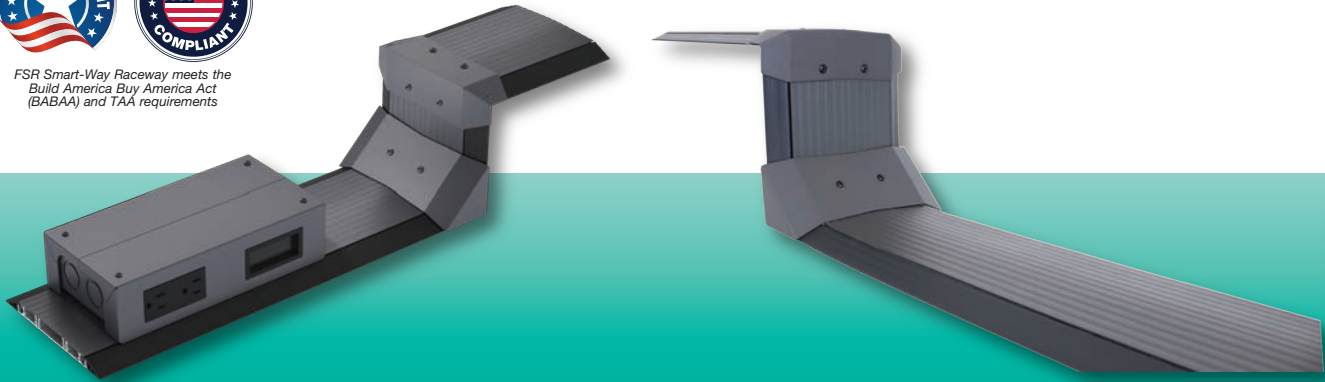


FSR Smart-Way Raceway meets the Build America Buy America Act (BAAA) and TAA requirements



Power Products Group

STAIR RISER



DESCRIPTION

The Smart-Way Raceway can do it all, including traveling upstairs. FSR's new Stair Riser is a perfect solution for amphitheatres, delivering power and data to rows of seats or bench-type tables. Engineered to meet the unique challenges of amphitheater installations, the SmartWay Stair Riser features a compact design to minimize tripping hazards and maximize space utilization. It seamlessly integrates into any environment with versatile inside and outside corners and a discreet slate finish.

The Stair Riser device box is positioned under the theater seating, providing easy access to power. Its side-mounted exits offer enhanced flexibility for limited spaces and ensure effortless power and data distribution. The Smart-Way routes power and data to where you need it most, no matter the obstacle.

FEATURES

- Compact design to minimize tripping hazards
- Inside and outside corners for versatile installation
- Slate finish for discreet integration
- Under-seat device box with side-mounted exits for limited spaces

APPLICATIONS

- Amphitheatres
- Lecture Halls
- Stadiums

FSR Inc.

244 Bergen Boulevard, Woodland Park, NJ 07424

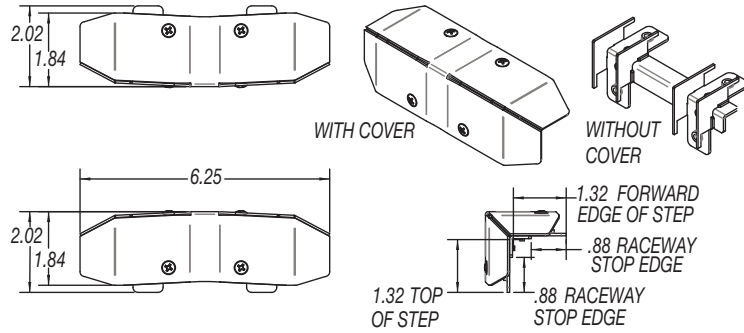
Phone: 973.998.2300 · Fax: 973.785.4207

Web: www.fsrinc.com · E-mail: sales@fsrinc.com

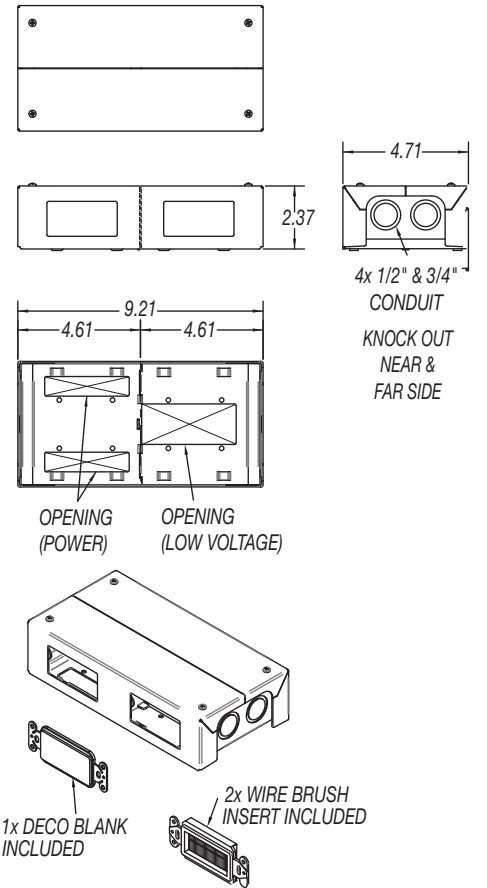
LIT1920B

STAIR RISER

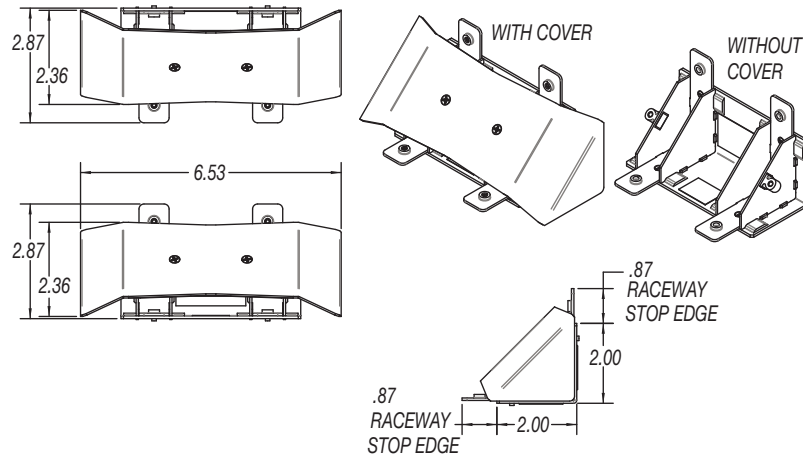
SW-LOUT-SLT



SW-DB-SE2P2D



SW-LIN-SLT



PRODUCT DETAILS



STAIR RISER ORDERING INFORMATION

Item #	Part #	Description
18677	SW-LIN-SLT	Stair Riser inside Elbow Fitting
18678	SW-LOUT-SLT	Stair Riser outside Elbow Fitting
18679	SW-DB-SE2P2D	Stair Riser side Entry 2 Power / 2 Data Device Box- 2 Brush and 1 Decora Blank



Specifications are subject to change without notice.

Visit www.fsrinc.com for detailed drawings and installation documents.



244 Bergen Boulevard, Woodland Park, NJ 07424
 Phone: 973.998.2300 · Fax: 973.785.4207
 Web: www.fsrinc.com · E-mail: sales@fsrinc.com



FSR Smart-Way Raceway meets the Build America Buy America Act (BABAA) and TAA requirements