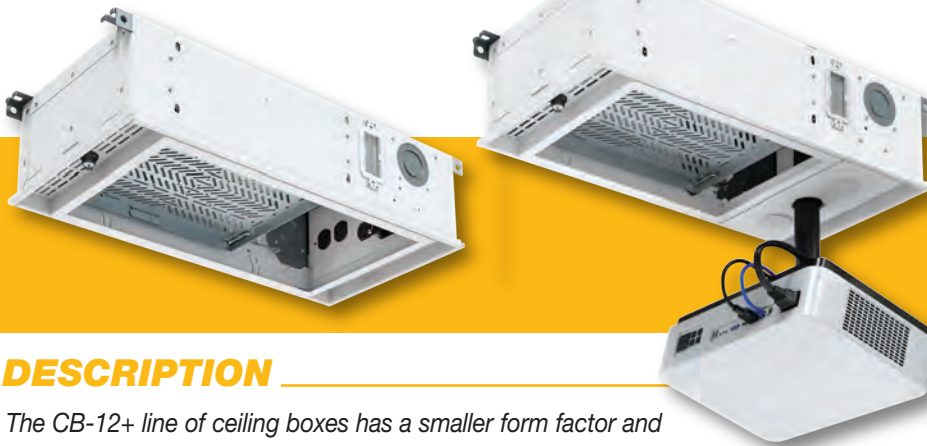


# CB-12+ SERIES CEILING BOXES



Metal Products Group

CB-12+ Series



## DESCRIPTION

The CB-12+ line of ceiling boxes has a smaller form factor and all the advanced features of FSR's "+" series ceiling boxes.

The "+" series ceiling box is engineered for convenience and efficiency, featuring integrated threaded rod mounts for easy and secure installation. The new lockable cover latch ensures enhanced security and quick access when needed.

The **CB-12+** is a 1' x 2' enclosure that provides an external AC receptacle on the ceiling surface, five additional pre-wired AC receptacles inside the enclosure, one shelf to mount half-rack devices for AV equipment, and knockouts. A key improvement in the CB-12+ series is the consolidated fan & pre-wired AC arrangement, optimizing internal space for more flexible equipment management. All models come with two brush-lined low-voltage decorator-style wire entry plates on the chassis' sides to facilitate A/V and Data wiring requirements. An optional upgraded fan kit is available. A dual-tilting equipment shelf adds versatility for mounting & servicing equipment at a later date.

The **CB-12P+** is a 1' x 2' enclosure with the addition of an industry-standard 1½" NPT fitting to hang up to a 50 lbs. projector (including mount) while also supporting a maximum load 40 lbs. on the shelf. Pole mount units include decorative pole rail cover plates, and a solid door is available on all models to eliminate the need to cut ceiling tiles. This female pipe fitting may be mounted in any of 3 predetermined positions and trimmed with the included hole plugs.

### **SG-120HW - Type 1 Surge Protective Device**

The optional SG-120HW is a UL Listed 1449 "Type 1 Surge Protective Device" used to protect branch circuits against damage from electrical transients occurring on the AC line. It provides protection against transients in all 3 modes: Line to Line, Line to Neutral, and Neutral to Ground. A diagnostic LED indicates ground presence, system power and that surge protection is active. (See ordering table)

### **MOUNTING KIT OPTIONS** (for all models)

The CB-MNT1 cable mounting kit attaches to the four integrated threaded rod mounting tabs on the ceiling box exterior. The kit includes four 100" stainless steel cables and four Kwik-Loc cable adjusters.

## FEATURES

- Prewired AC
- Dual-tilting equipment shelf mountable in two locations
- Integrated threaded rod mounts
- Consolidated fan & AC arrangement for increased internal space
- Lockable access door with secured winged keyed Cam Lock
- Two low-voltage cabling access brush plates installed
- A streamlined access door & hinge for effortless removal/installation of the door
- Quick disconnect safety cable prevents the cover door from detaching entirely from the box
- Optional upgraded temperature-controlled variable speed low-noise fan kit
- 3 Preconfigured pole locations with 2 covers

## APPLICATIONS

Anywhere a Projector or Display is ceiling mounted

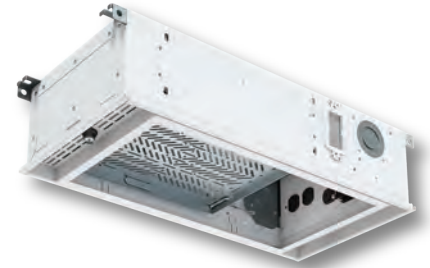
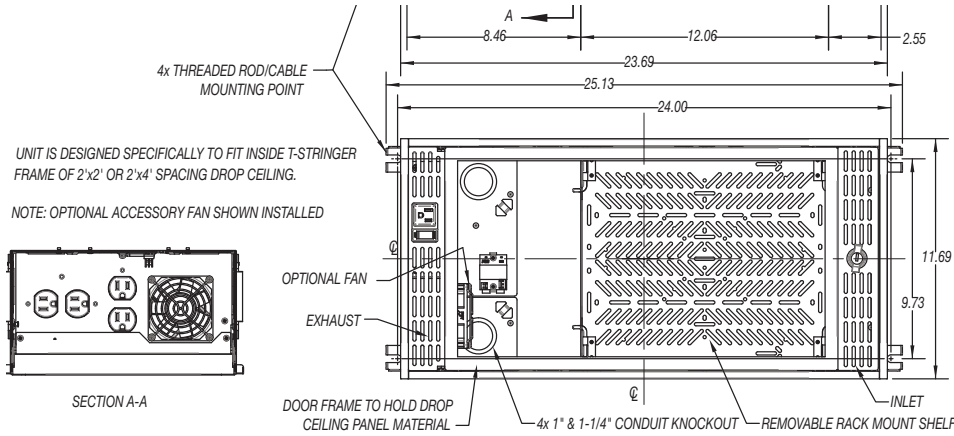
- Conference centers
- Schools
- General Meeting Facilities
- Training Facilities
- Airports
- Museums

## **FSR Inc.**

244 Bergen Boulevard, Woodland Park, NJ 07424  
Phone: 973.998.2300 · Fax: 973.785.4207

Web: [www.fsrinc.com](http://www.fsrinc.com) · E-mail: [sales@fsrinc.com](mailto:sales@fsrinc.com) LIT1915

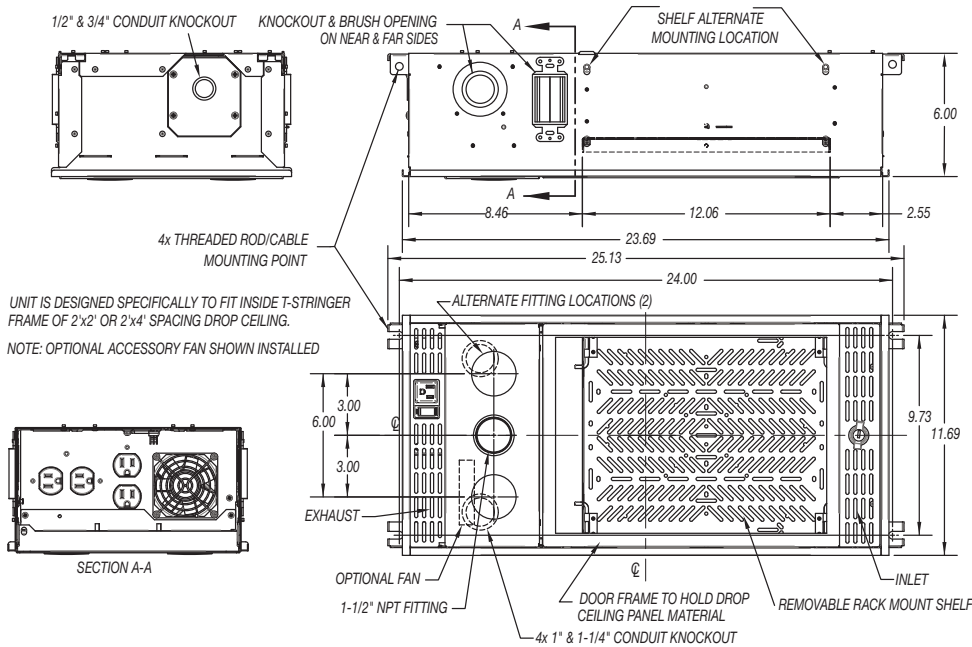
## CB-12+ SERIES DIMENSIONS



Product Weight:  
18.219 lbs

NOTE: For use with the common "T" grid drop ceiling systems, not compatible with all drop ceiling systems.

## CB-12P+ SERIES DIMENSIONS



Product Weight:  
21.962 lbs.

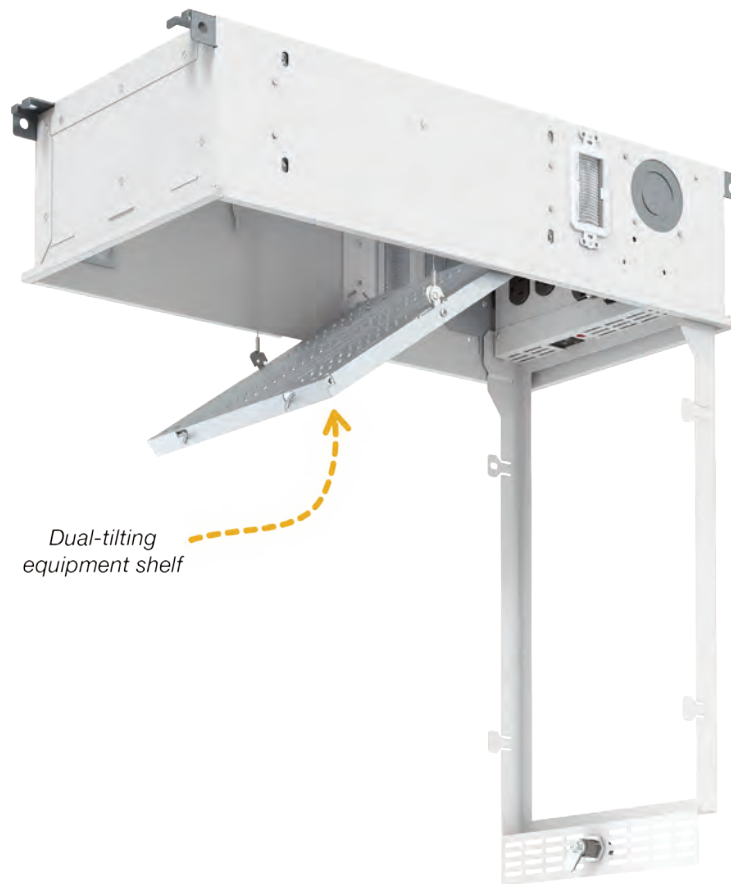
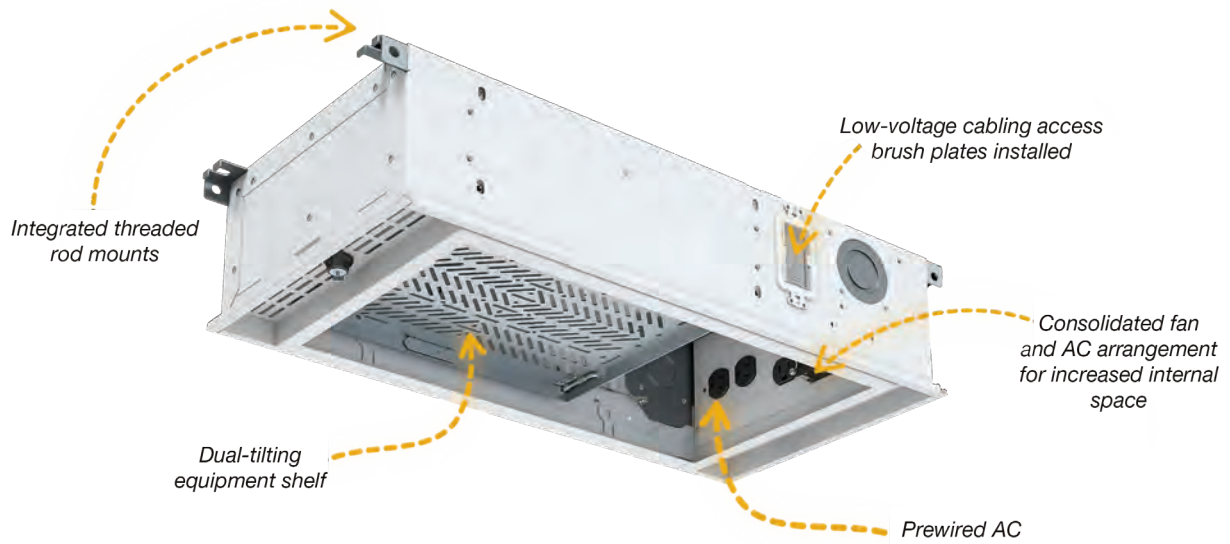
NOTE: For use with the common "T" grid drop ceiling systems, not compatible with all drop ceiling systems

## AGENCY APPROVALS

**PLENUM RATED:** Conforms to UL 2043: UL Standard for Safety Fire Test for Heat and Visible Smoke Release for Discrete Products and Their Accessories Installed in Air-Handling Spaces.

**SAFETY RATED:** Conforms to: UL 60950-1: Information Technology Equipment - Safety and certified to CSA 22.2 60950-1: Safety of Information Technology Equipment.

## CB-12+ CEILING BOX FEATURES



**Doing a Large Project? Quantity Pricing Is Available.**

**TESTED AND CERTIFIED:** All weight capacity specifications tested and certified to a minimum of a 5X safety factor by Tektronix, Inc. an independent testing laboratory.

**ETL approved and recognized** for use in the State of California. Division of State Architect (DSA) suspension approvals must be sought by contractor prior to certain installations.

## CB-12+ CEILING BOX ORDERING INFORMATION

ITEM #	MODEL	DESCRIPTION
18644	CB-12+	1'x2' Ceiling box with 5 prewired AC outlets
18645	CB-12P+	1'x2' Ceiling box with pole mount and 5 prewired AC outlets
18646	CB-12FAN+	Fan kit for use with CB-12+ & 12P+
18647	CB-12+SLDR	Solid door for use with CB-12+
18648	CB-12P+SLDR	Solid door for use with CB-12P+
17085	CB-MNT1	Mounting kit including four 100" cables and four KWIK-LOCS™
17287	SG-120HW	Surge Protective Device Type 1 (UL/cUL Listed)



SG-120HW - Type 1  
Surge Protective Device



244 Bergen Boulevard, Woodland Park, NJ 07424  
 Phone: 973.998.2300 · Fax: 973.785.4207  
 Web: [www.fsrinc.com](http://www.fsrinc.com) · E-mail: [sales@fsrinc.com](mailto:sales@fsrinc.com)



Specifications are subject to change without notice.