

WB-TSC-SM-7

Your Ultimate Wall Plate Security Solution



FSR

Metal Products Group

WB-TSC-SM-7

DESCRIPTION

The WB-TSC-SM-7 mounts a 7" touch panel along with the cover on a 2 gang back box. Protect and limit unwanted access to your control panels with the versatile WB-TSC-SM-7 wall box. This wall box enables you to safeguard and monitor your control panels status through its glass window without opening the locked cover.

This custom solution has a locking metal door, clear acrylic window, and is compatible with controllers designed to mount on a 2-gang electrical box with a maximum screen size of 8"W x 4.7"H x .96"D. The WB-TSC-SM-7 enables you to monitor the controller's status through its glass window without opening the locked cover. The acrylic glass provides perfect visibility to the controller's wide-format, high-definition 24-bit color display.

For enhanced protection against theft or damage, this surface mount wall box has a locking metal door, providing an effective barrier against unauthorized access. Designed to blend seamlessly with any environment, the WB-TSC-SM-7 boasts a sleek, low-profile design. Its flip-up door lays flat against the wall when open, providing users unencumbered access to the front panel, making maintenance and operation hassle-free.



FEATURES

- Mounts a variety of small 2-gang controllers
- Low-Profile Surface wall box
- Locking metal door
- Clear acrylic window
- Monitor the status of the control panel without opening door
- Secure and protect wall plates or data plates

APPLICATIONS

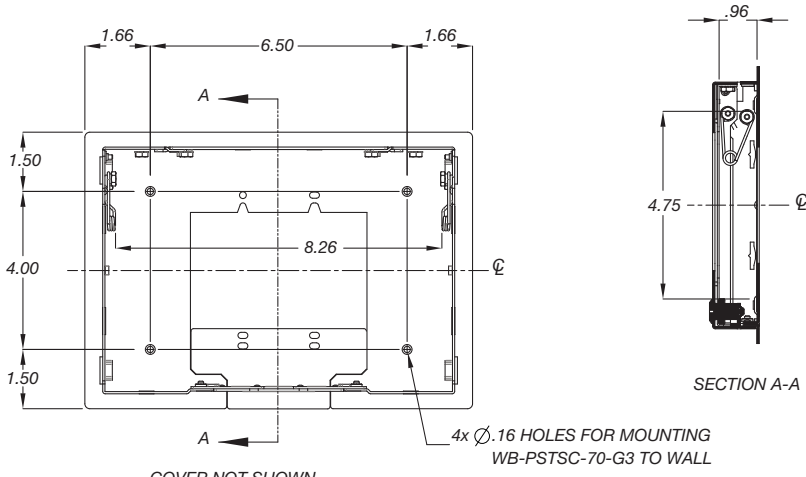
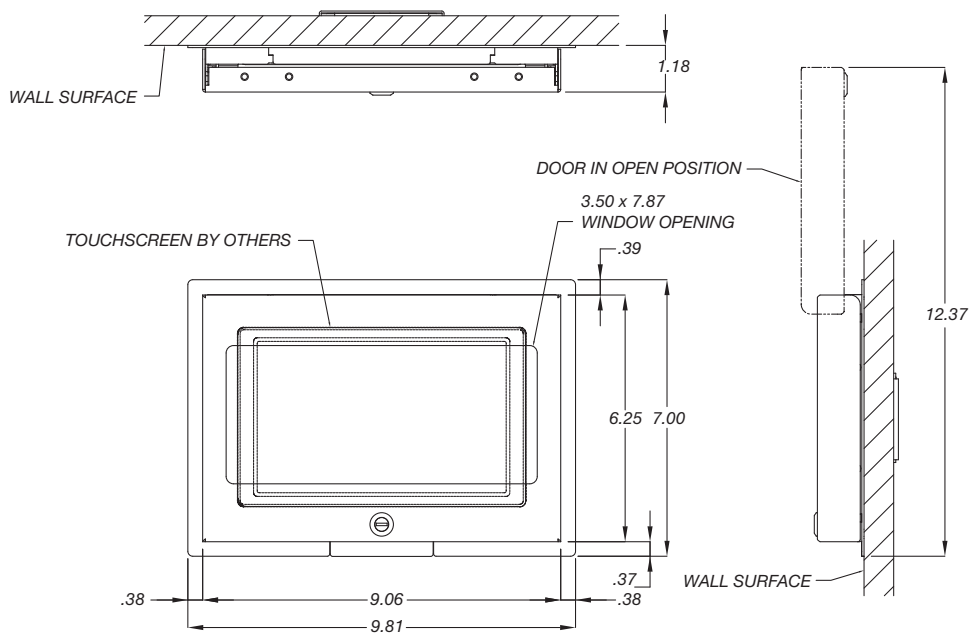
- Schools
- Hotels
- Conference Rooms
- Airports
- Arenas
- Houses of Worship

FSR Inc.

244 Bergen Boulevard, Woodland Park, NJ 07424
Phone: 973.998.2300 · Fax: 973.785.4207
Web: www.fsrinc.com · E-mail: sales@fsrinc.com
Order Desk: 1-800-332-FSR1

LIT1894B

WB-TSC-SM-7 DRAWING



COVER NOT SHOWN
MAXIMUM SCREEN SIZE - 8.00"W x 4.70"H x .925"D

ORDERING INFORMATION

ITEM	PART #	DESCRIPTION
18600	WB-TSC-SM-7	Low-profile touchscreen wall box with locking cover and window in white



Specifications are subject to change without notice.



244 Bergen Boulevard, Woodland Park, NJ 07424
 Phone: 973.998.2300 · Fax: 973.785.4207
 Web: www.fsrinc.com · E-mail: sales@fsrinc.com
 Order Desk: 1-800-332-FSR1