

DV-HMSW4K-44AUD

4x4 HDMI 2.0 Matrix



Video Products Group



DESCRIPTION

The DV-HMSW4K-44AUD is a high-performance HDMI® 2.0 4x4 Matrix Switcher with four SPDIF coaxial and analog audio outputs. It allows any Ultra HD source (e.g., Blu-ray disc™ player, HD DVD player, satellite receiver, gaming console, etc.) to be shown simultaneously on up to all four outputs.

This HDMI 2.0 and HDCP 2.2 compliant device supports up to 4K @60Hz YUV 4:4:4 HDR and supports high dynamic range 10bit (HDR10). The 4K to 1080p auto downscaling feature allows mixed 4K and 1080p displays. Video quality is excellent, with fast switching between sources. There are five methods of control: manual pushbuttons, IR remote, RS-232, IP Control, and Web GUI.

The unit features a slim, rectangular design and can be desktop or wall-mounted using the supplied mounting ears. The unit also includes a full-function IR remote, IR receiver bud with mounting tape, rubber feet for desktop use, and five 3-PIN connectors for RS-232 and audio connections. An AC power adapter with a locking connector is included.

WHAT'S IN THE BOX

- 1x HDMI Matrix
- 1x 12V/2A DC power supply
- 1x Remote control
- 1x IR Ext RX Cable
- 5x Screw terminal plugs for RS232 cable termination & L/R Audio termination
- 1x User manual
- 2x Under-Table Mounting Brackets

FEATURES

- HDMI 2.0 version (Supports 4K@60Hz YUV4:4:4)
- Bandwidth up to 18Gbps
- HDCP1.4/2.2 compliant
- Supports HDR10, HLG, Dolby vision
- 4xHDMI Input, 4xHDMI output with 4xSPDIF coaxial Audio, and 4xAnalog Audio
- Any one of the 4 Ultra HD sources to any one of the 4 Ultra HD displays
- Supports IR control for long distances; RS232 control, Panel Button control, TCP/IP control and Web GUI Control
- Supports PCM 2.0, Dolby True HD and DTS-HD master audio, LPCM 7.1, audio
- Sampling rate up to 192KHZ.
- Supports analog and S/PDIF audio extraction
- Supports EDID management and EDID copy
- Supports firmware updating through RS232 port

APPLICATIONS

- Boardrooms
- Classrooms
- Collaboration Systems such as HuddleVU
- Command and Control Centers
- PoP / PoS Kiosks
- Digital Signage

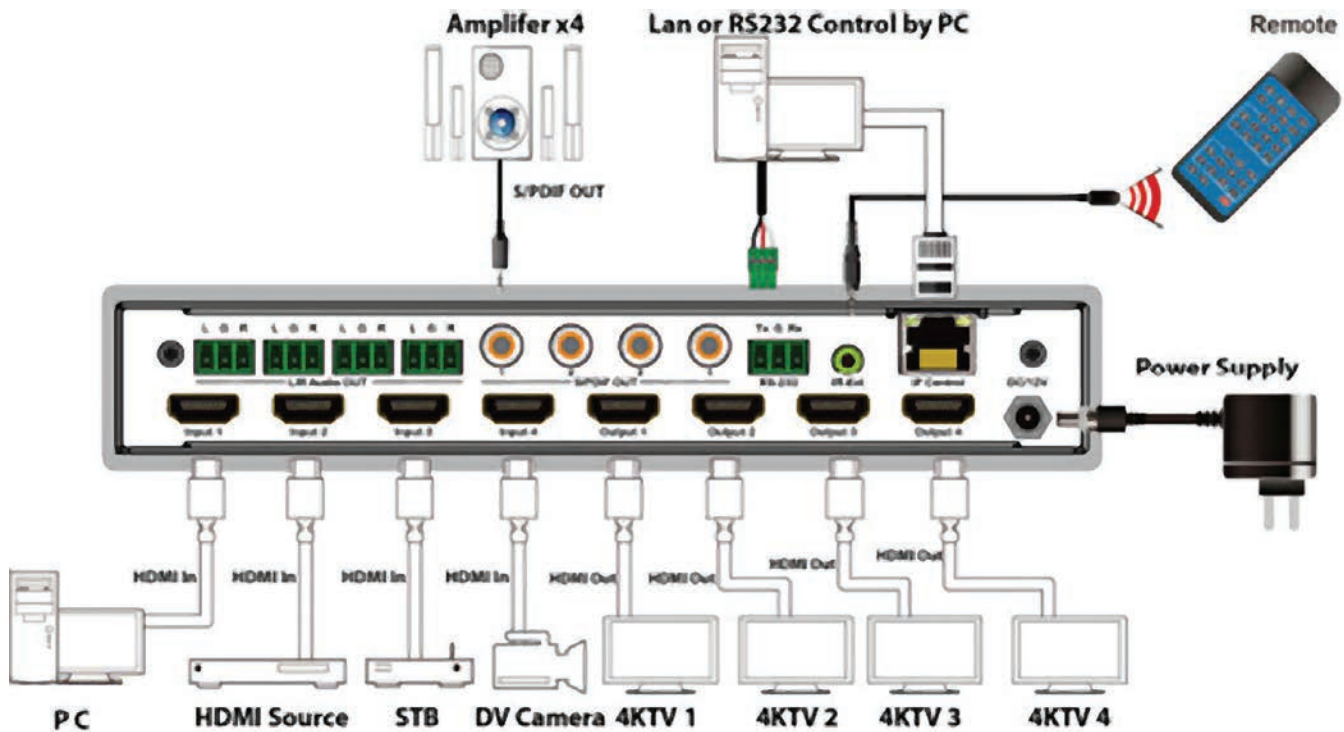
FSR Inc.

244 Bergen Boulevard, Woodland Park, NJ 07424
Phone: 973.785.4347 · Fax: 973.785.4207
Order Desk: 1-800-332-FSR1
Web: www.fsrinc.com · E-mail: sales@fsrinc.com

SPECIFICATIONS

Operating Temperature	0Cto+40C (+32°Fto+104°F)
Operating Humidity	5 to 90% RH (Non-Condensation)
Max resolution	4K@ 60hz YUV4:4:4
HDCP Compliant	HDCP2.2 and HDCP1.4
Output Video	HDMI2.0 and HDMI 1.4
Audio Format Supported	PCM2.0, Dolby True HD and DTS-HD master audio, LPCM7.1
RS-232 serial port	3PIN terminal block connectors
Ethernet port (IP control)	RJ45, female
IR Ext port	1x3.5mm stereo jack
Bandwidth	18 Gbps
Default IP	192.168.1.168
Dimensions (WxHxD)	L8.56" (216.2mm) X W5.07" (128.5mm) X H1.38" (34mm)
Net Weight	1.04 lbs.
Power consumption	14W (Max)

APPLICATION



244 Bergen Boulevard, Woodland Park, NJ 07424
 Phone: 973.998.2300 · Fax: 973.785.4207
 Web: www.fsrinc.com · E-mail: sales@fsrinc.com