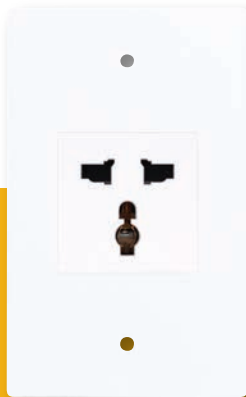


International Wall Plate Adaptor Kits



Metal Products Group

Intl. Wall Plate Adaptors



WP-451G-UN



WP-451G-TI



WP-451G-TF



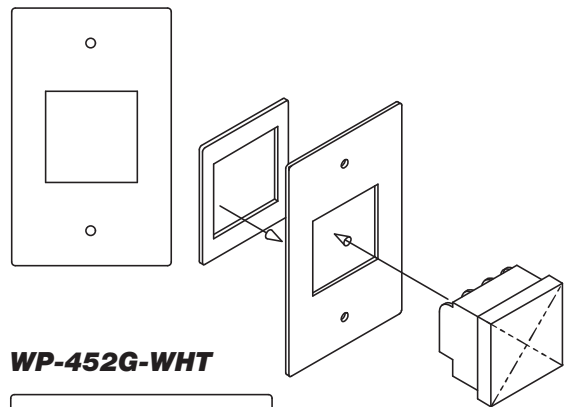
WP-451G-TG

DESCRIPTION

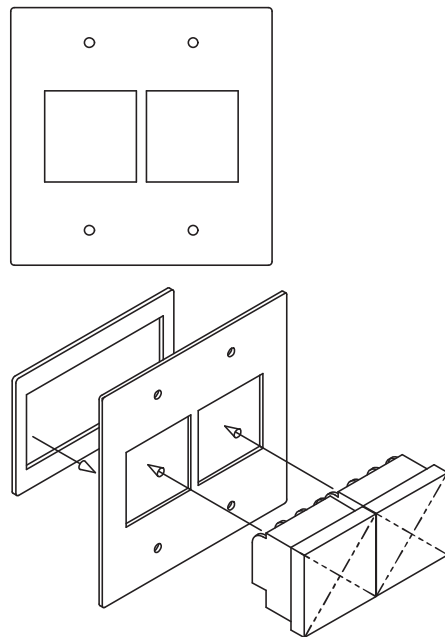
FSR's International Wall Plate Adaptor Kits easily adapt any country's specific 45mm snap in power outlet to fit into our 1-GANG and 2-GANG wall plates. These wall plates seamlessly integrate into our complete line of floor boxes, wall boxes and other products.

Both 1-GANG and 2-GANG kits include a mounting plate with 45mm opening(s), rear retaining plate and are available with select outlet(s). (See chart on back for kit options). The connectors snap into the provided plate without any hardware and are designed for ease of installation and a secure fit.

WP-451G-WHT



WP-452G-WHT



WP-451G-WHT



WP-452G-WHT

FSR Inc.

244 Bergen Boulevard, Woodland Park, NJ 07424

Phone: 973.998.2300 · Fax: 973.785.4207

Web: www.fsrinc.com · E-mail: sales@fsrinc.com

Toll Free: 1-800-332-FSR1

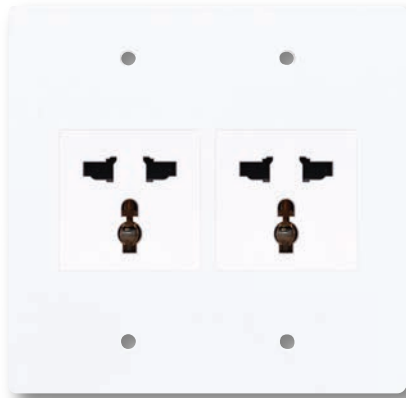
LIT1859A

INTERNATIONAL WALL PLATE ADAPTER KITS ORDERING CHART

| ITEM# | PART# | DESCRIPTION |
|-------|----------------|--|
| 17597 | WP-451G-WHT | Single gang 45MM gang plate, Accepts one - 45mmx45mm outlet - sockets not included |
| 17598 | WP-452G-WHT | Double gang 45MM gang plate, Accepts two - 45mmx45mm outlets - sockets not included |
| 18561 | WP-451G-UN-WHT | Single gang 45MM gang plate, Accepts one - 45mmx45mm outlet - Universal socket included |
| 18562 | WP-452G-UN-WHT | Double gang 45MM gang plate, Accepts two - 45mmx45mm outlets - Universal socket included |
| 18563 | WP-451G-TI-WHT | Single gang 45MM gang plate, Accepts one - 45mmx45mm outlet - Type I socket included |
| 18564 | WP-452G-TI-WHT | Double gang 45MM gang plate, Accepts two - 45mmx45mm outlets - Type I socket included |
| 18565 | WP-451G-TF-WHT | Single gang 45MM gang plate, Accepts one - 45mmx45mm outlet - Type F Schuko socket included |
| 18566 | WP-452G-TF-WHT | Double gang 45MM gang plate, Accepts two - 45mmx45mm outlets - Type F Schuko socket included |
| 18567 | WP-451G-TG-WHT | Single gang 45MM gang plate, Accepts one - 45mmx45mm outlet - Type G socket included |
| 18568 | WP-452G-TG-WHT | Double gang 45MM gang plate, Accepts two - 45mmx45mm outlets - Type G socket included |



WP-451G-UN



WP-452G-UN



WP-451G-TI



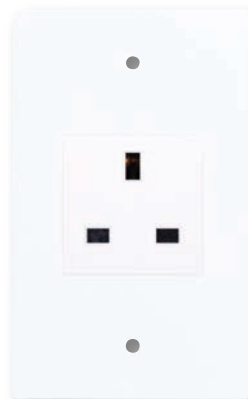
WP-452G-TI



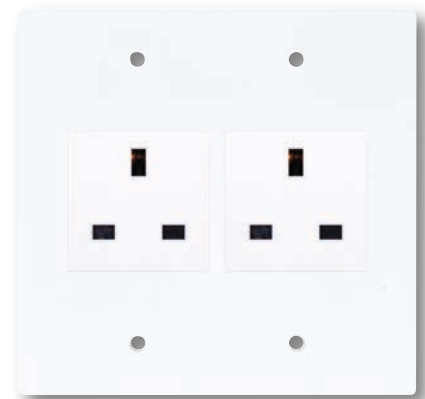
WP-451G-TF



WP-452G-TF



WP-451G-TG



WP-452G-TG



244 Bergen Boulevard, Woodland Park, NJ 07424
 Phone: 973.998.2300 · Fax: 973.785.4207
 Web: www.fsrinc.com · E-mail: sales@fsrinc.com