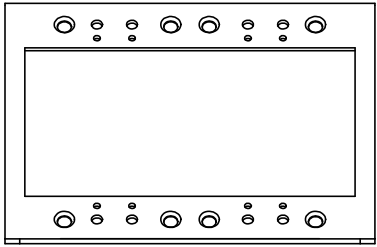
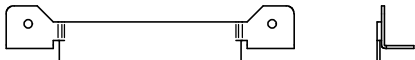


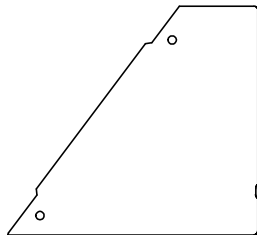
① P/N: 53290 - SMALL SINGLE AC BRACKET (1 SUPPLIED)
 HARDWARE REQUIRED:
 P/N: 11511 - #8-32 x 1/4" LONG PAN HEAD SCREW
 (4 REQUIRED PER PLATE)



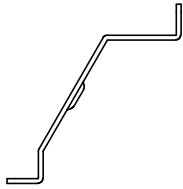
② P/N: 53291 - 1G / 2G BRACKET TOP MOUNT (1 SUPPLIED)
 HARDWARE REQUIRED:
 P/N: 11511 - #8-32 x 1/4" LONG PAN HEAD SCREW
 (4 REQUIRED PER PLATE)



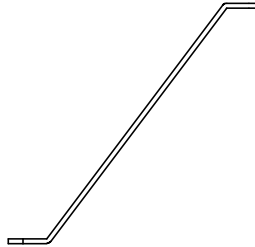
③ P/N: 55639 - GAP FILL / DIVIDER HOLDER (2 SUPPLIED)
 HARDWARE REQUIRED:
 P/N: 13330 - #8-32 x 1/4" LONG FLAT HEAD SCREW
 (2 REQUIRED PER HOLDER)



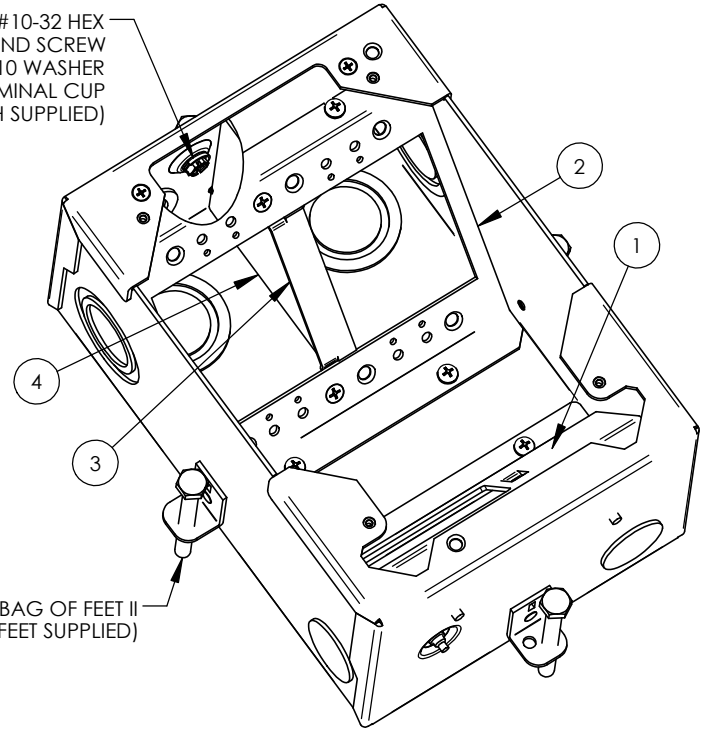
④ P/N: 53289 - BOX DIVIDER (1 SUPPLIED)
 HARDWARE REQUIRED:
 P/N: 11511 - #8-32 x 1/4" LONG PAN HEAD SCREW
 (2 REQUIRED PER DIVIDER)



P/N: 47829 - #10-32 HEX
 SLOT GROUND SCREW
 P/N: 13441 #10 WASHER
 TERMINAL CUP
 (3 EACH SUPPLIED)



P/N: 27015 - BAG OF FEET II
 (1 BAG OF 4 FEET SUPPLIED)



NOTE: SUPPLIED QUANTITY COUNT
 REFERS TO QUANTITY
 SHIPPED WITH BOX.

FSR inc.
 244 BERGEN BLVD.
 WOODLAND PARK, NJ 07424
 TEL (973) 785-4347
 FAX (973) 785-3318

TITLE: FL-200-4 SPARE PARTS LIST		
DRAWN BY: JRE	DATE: 11/10/21	REV: -
DWG#: FL-200-4 spare parts		SCALE: 1:1