

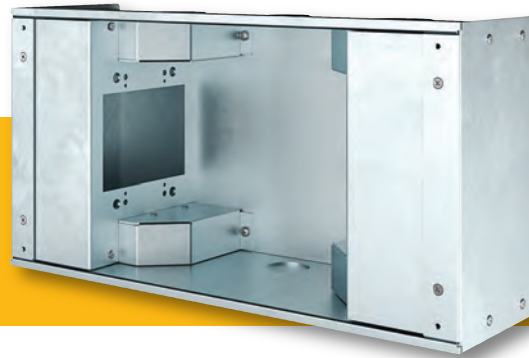
PWB-CMU8 SERIES

Masonry Project Wall Boxes



Metal Products Group

PWB CMU8



Patent Pending

DESCRIPTION

The PWB-CMU8-B is the first dedicated flat panel TV project box engineered for installation in 8" block walls. The all-metal CMU8 is designed to replace the front portion of one block and provides an attractive surface with the optional paintable cover with no visible jagged block edges. The box has two opposing 2-gang device boxes inside, providing space for power and low voltage devices, including most receivers. The CMU8 has available 1", 1.25", and 1.5" knockouts centered on the opening of the most common two-hole CMU blocks. This project wall box ships with a construction cover for the rough-out phase.

Inside the box, two 2-gang compartments face the middle and accommodate standard electrical plates. These compartments are convertible to a single gang with the provided block-off plates; & are also removable for installing active brick receivers. The gang compartments are oversized to allow for extra service loops & cable storage and have a depth of 3.25" to allow for the largest active electronic wall plates.

Two cover options are available for the CMU8 box, a split metal cover, and a hinged locking cover.

The PWB-CMU8-WHT-C is a fixed split metal cover, painted white & is suitable for overpainting to match the rest of the room. The cover features a beveled edge & cable lash bar to support the exiting cables, so the connectors do not dislodge from the wall plates or ware due to movement.

The PWB-CMU8-HNGWHT-C is a hinged locking door cover designed for left or right swing and features a large, hinged door & two small, hinged door cable exits. A ¼ turn lock/latch is provided so cables can be housed internally behind a closed or locked door, protecting the cable & connectors from damage & barring unsightly protrusions into the space.

Newly added to the CMU8 series is the PWB-CMU8-2PLT wall box for custom connector plates that provides two large compartments for high and low-voltage connectivity. Features include a movable divider that allows multiple plate sizes, a single large or two smaller plate configurations, & a large surface area to accommodate customer-supplied covers.

Made in the USA, Buy America, and Buy American Certified.

FEATURES

- Engineered for installation in 8" block walls
- Creates an attractive surface with no visible jagged block edges once painted
- Available knockouts are 1", 1.25", and 1.5" centered on the opening of the most common two-hole CMU blocks.
- Two oversized 2-gang 3.25" depth compartments (convertible to a single gang)
- Removable compartments for installing active brick receivers and accommodate standard electrical plates
- Cover is painted white and is suitable for over painting
- Cover features beveled edge and cable lash bar to support the exiting cables
- Hinged cover option available (PWB-CMU8-HNGWHT-C)
- PWB-CMU8-2PLT wall box provides two large compartments for high and low voltage connectivity

APPLICATIONS

- K-12 schools
- Stadiums
- Commercial facilities
- Gymnasiums



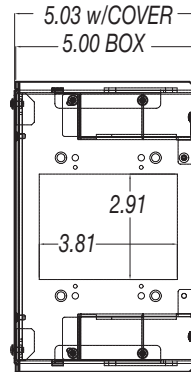
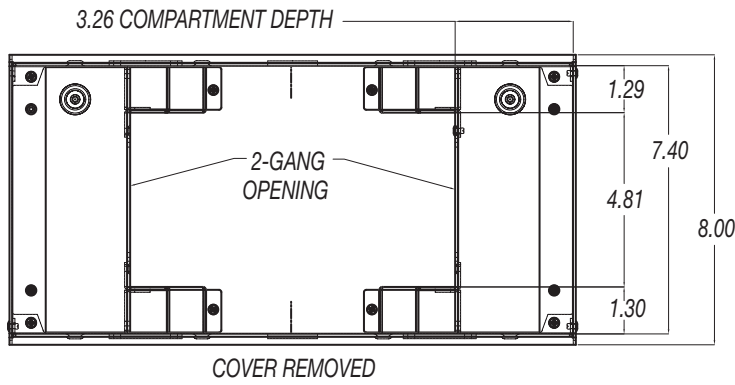
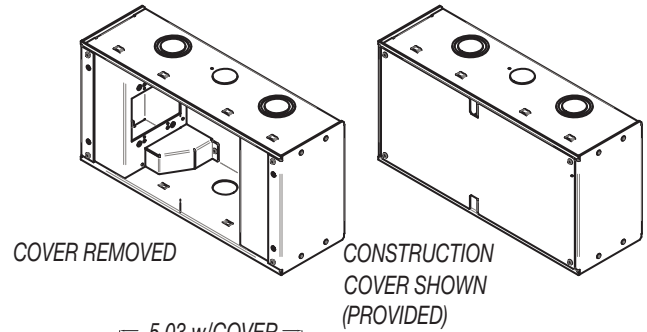
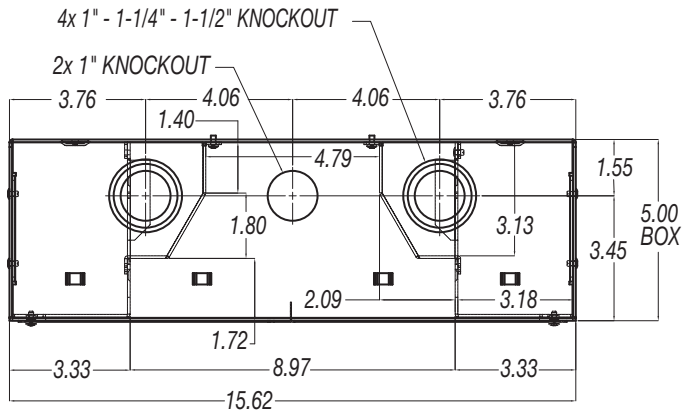
PWB-CMU8-HNGWHT-C

FSR Inc.

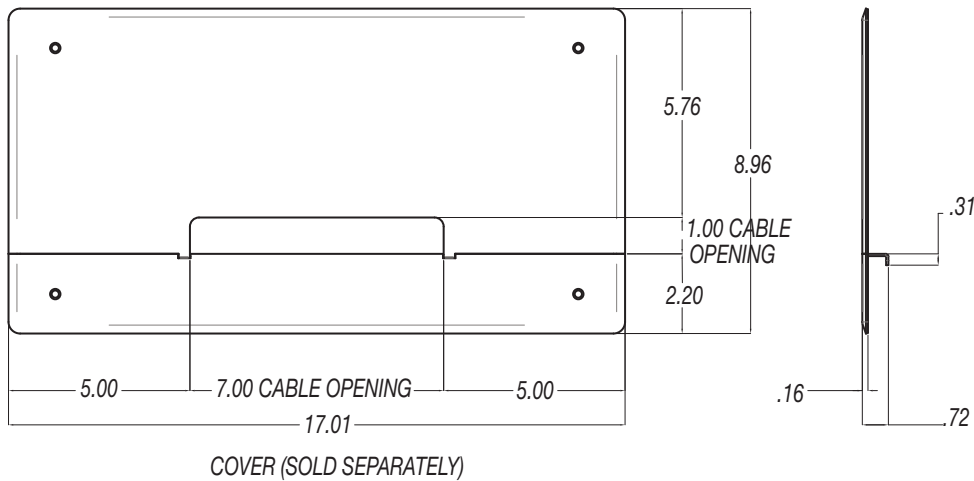
244 Bergen Boulevard, Woodland Park, NJ 07424
Phone: 973.998.2300 · Fax: 973.785.4207
Web: www.fsrinc.com · E-mail: sales@fsrinc.com
Toll Free: 1-800-332-FSR1

LIT1846C

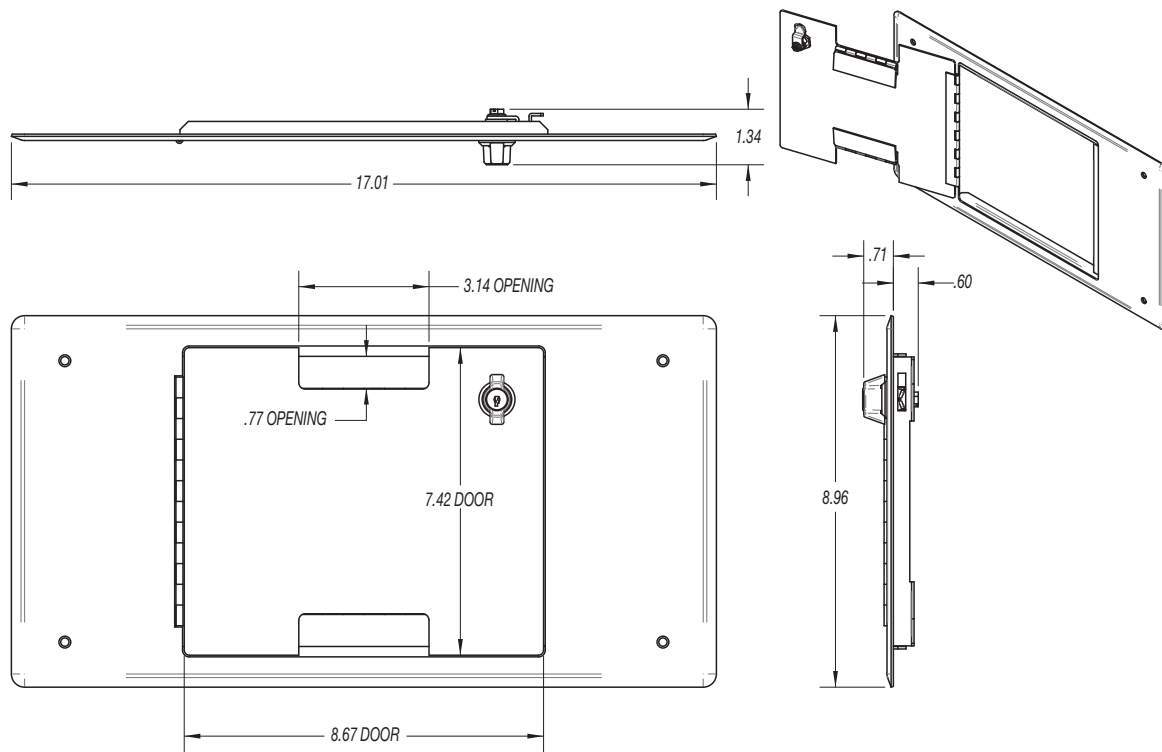
PWB-CMU8-B Detail Back Box Drawings



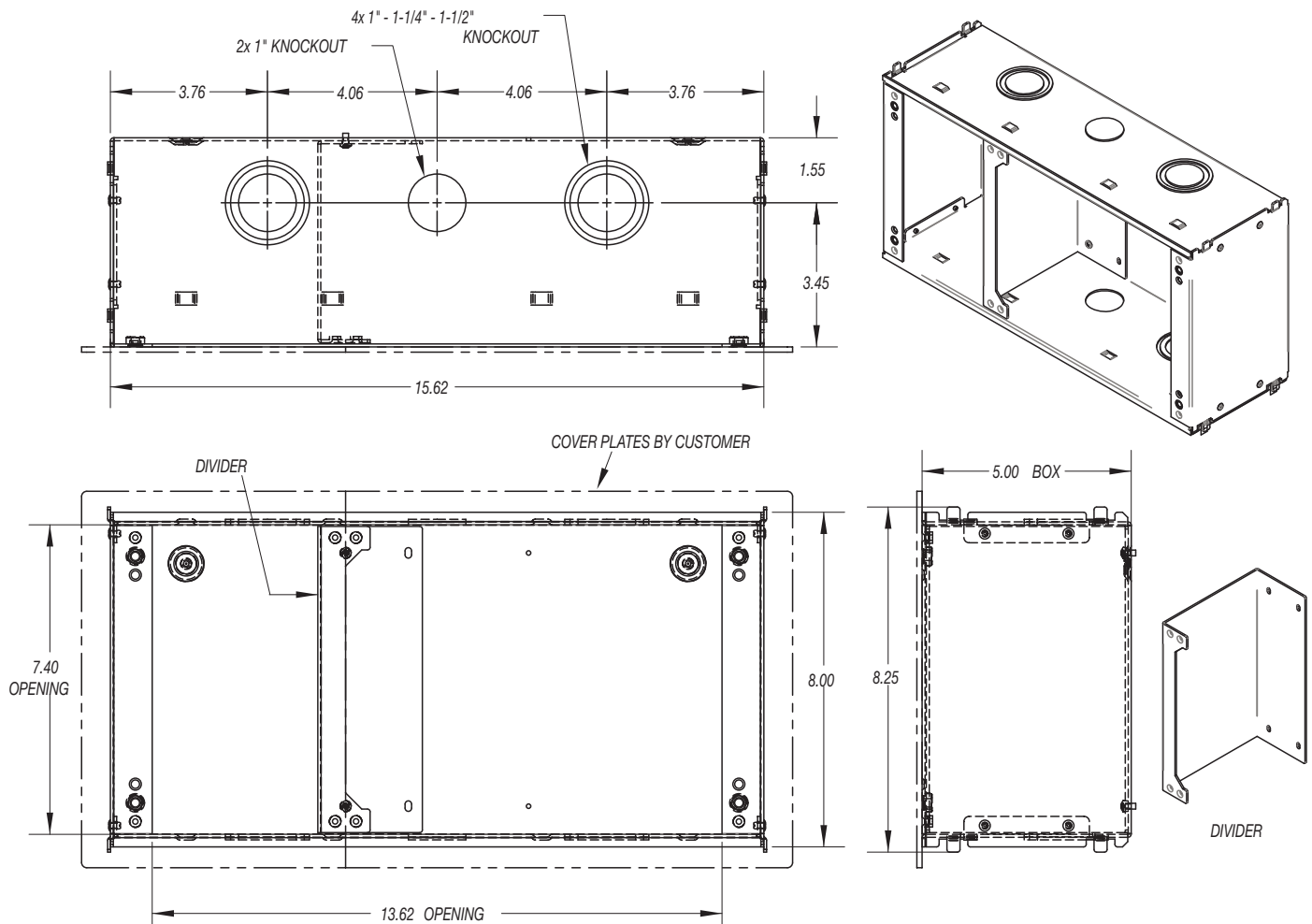
PWB-CMU8-WHT-C Detail Cover Drawings



PWB-CMU8-HNGWHT-C Hinged Cover Detail Drawings



PWB-CMU8-2PLT Back Box Detail Drawings



ORDERING CHART

Item #	Part #	Description
18552	PWB-CMU8-B	8" Two 2-GANGS Block Wall Box with Construction Cover
18553	PWB-CMU8-WHT-C	White Cover Only
18554	PWB-CMU8-SLDWHT-C	Solid White Cover Only
18577	PWB-CMU8-HNGWHT-C	Hinged Cover ONLY
18580	PWB-CMU8-2PLT-B	Back Box ONLY for Custom Panels



244 Bergen Boulevard, Woodland Park, NJ 07424
 Phone: 973.998.2300 · Fax: 973.785.4207
 Web: www.fsrinc.com · E-mail: sales@fsrinc.com



Specifications are subject to change without notice.