

# INTERNATIONAL TABLE BOXES

## CT6-EU & RT6-EU Models

# FSR

## Metal Products Group



**CT6-EU**



**RT6-EU**



This symbol indicates the device is **RETRACTOR Ready** and accepts the number of retractors shown in the circle.

### DESCRIPTION

We offer a wide variety of table boxes that are unique and upscale, meeting the aesthetic demands of today's consultants, architects and clients. Black and Brushed Anodized Aluminum finishes, a variety of sizes, shapes, and accessories are available for international use.

The CT6-EU Collection of table boxes provide a powerful and affordable solution for any installation. The versatile connector cavities are 100% configurable with universal outlets and allow for both high and low voltage. The mounting is always a 6" diameter round hole for the CT6-EU boxes. The CT6-EU Collection is available in a black or silver matte finish.

The RT6-EU Collection of table boxes provide the ultimate connectivity and functionality. Designed with hideaway doors for ease of access to the insert brackets and cable retractors makes connectivity effortless. RT6-S3 model can hold up to 1 T6-EU-LB-UNV2 or T6-EULB-SCHUKO bracket + 1 large T6 bracket + 1 half large bracket. On our RT6-S4 model it can hold up to 2 T6-EU-LB-UNV2 or T6-EULB-SCHUKO brackets + 1 large T6 bracket or 1 T6-EU-LB-UNV2 or T6-EULB-SCHUKO bracket + 2 large T6 bracket + 1 Half large bracket.

The various internal brackets available are designed to contain universal AC outlets, USB Chargers, Cable Pulls, Cable Retractors, Snap-In Keystone Connectors, or IPS Solutions. Our T6 Table Box insert brackets and Cable Retractors are available for our CT6-EU and RT6-Euro Table Box Series.

### FEATURES

- Round Covers available in Black or Aluminum
- Mounts in a wide variety of tables with thicknesses ranging from .75" to 2.25".
- Connector plates can be populated to match customer requirements
- Can be reconfigured at any time as requirements change
- Deep interior compartment accommodates longer/larger connector shells.
- Retractor Ready – can accommodate up to 4 of FSR's TBRT Cable Retractors

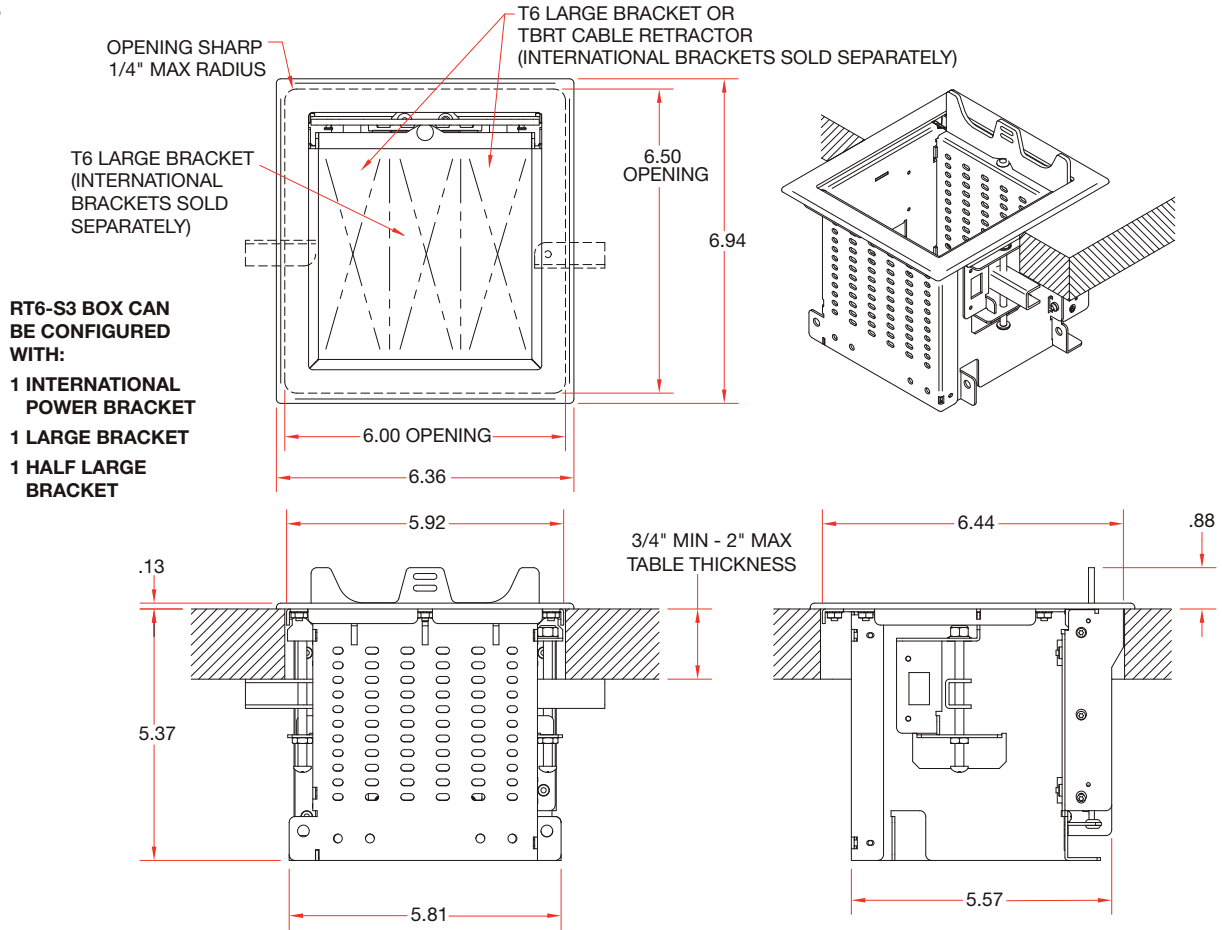
### FSR Inc.

244 Bergen Boulevard, Woodland Park, NJ 07424  
Phone: 973.998.2300 · Fax: 973.785.4207  
Web: [www.fsrinc.com](http://www.fsrinc.com) · E-mail: [sales@fsrinc.com](mailto:sales@fsrinc.com) LIT1827

# RT6-EU DRAWINGS

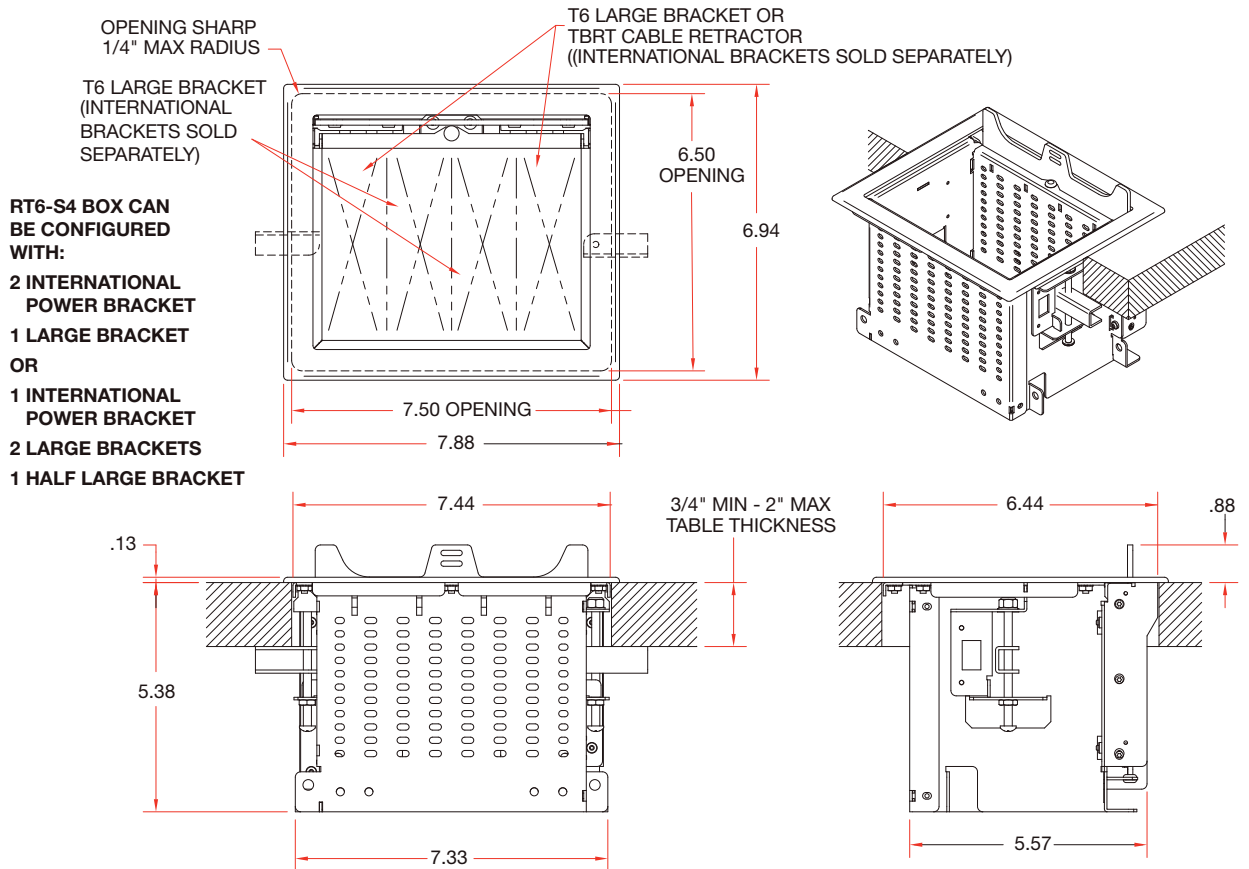
## RT6-S3

8



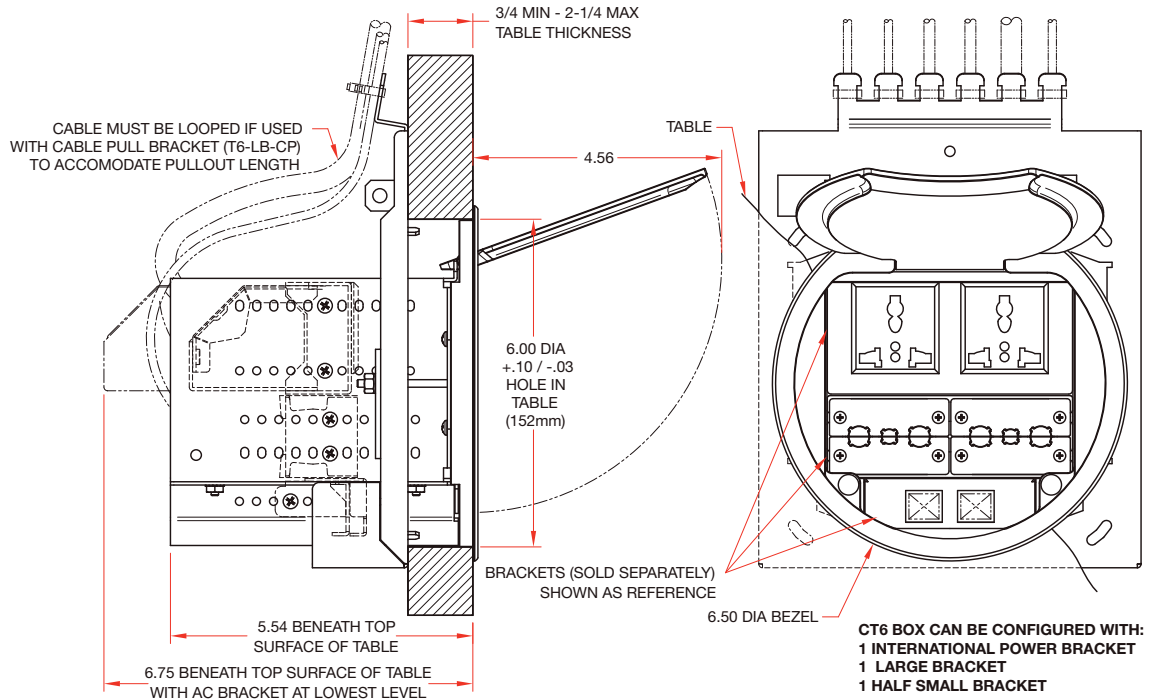
## RT6-S4

8

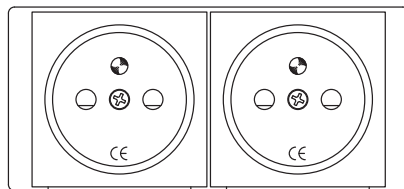


**CT6-EU DRAWINGS**

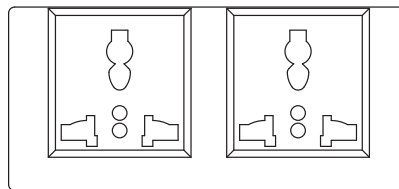
4



**INTERNATIONAL POWER BRACKETS FOR CT6 & RT6 BOX**



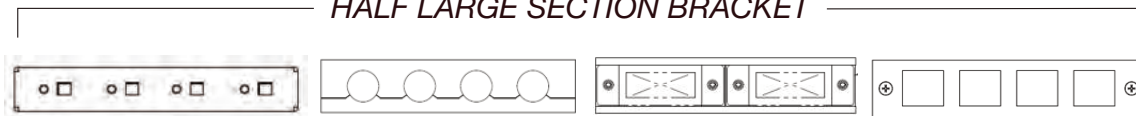
T6-EULB-SCHUKO



T6-EULB-UNV2

**HALF LARGE BRACKETS USED FOR RT6**

HALF LARGE SECTION BRACKET



**RT-6-HLB-4MOM**  
 4 Momentary Push Buttons  
 with LED Feedback

**T6-HLB-CP**  
 4 Cable Pass Through  
 Openings with Hole Plugs

**T6-HLB-2IPS**  
 Mounts 2 IPS Inserts

**T6-HLB-4SS**  
 4 SS Keystone Openings  
 with Blanks

**LARGE BRACKETS USED FOR CT6 AND RT6**

LARGE SECTION BRACKET

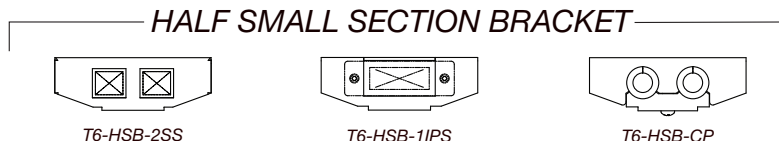


**T6-LB-5SS**  
 Space for up to 5 FSR  
 Simple Solutions connectors

**T6-LB-RTMKT**  
**RT6-R-LB-RTMKT**  
 Mounting kit for using up to four  
 FSR TBRT retractors in T6 style boxes

**T6-LB-UN**  
 Allows mounting of 4 IPS inserts  
 or six cables. Can also be used to  
 block off a section.

## SMALL HALF BRACKETS FOR USE WITH CT6 ONLY



## ORDERING INFORMATION

### CT6 EURO Table Box Options

18261	CT6-EUBLK	6" Round Table Box
18262	CT6-EUALM	6" Round Table Box

### RT6 EURO Table Box Options

18134	RT6-S3-ABK	3 Section Table Box with 1 Universal Bracket - Brushed Anodized Black
18138	RT6-S3-ALM	3 Section Table Box with 1 Universal Bracket - Brushed Anodized Aluminum
18135	RT6-S4-ABK	4 Section Table Box with 1 Universal Bracket - Brushed Anodized Black
18139	RT6-S4-ALM	4 Section Table Box with 1 Universal Bracket - Brushed Anodized Aluminum

### International Power Brackets \*Sold Separately

17743	T6-EULB-SCHUKO	2 Schuko AC Receptacle
17538	T6-EULB-UNV2	2 Universal AC Outlets

### Large Brackets for use with both CT6 Euro and RT6 Euro Boxes

17070	T6-LB-5SS	T6 5 Snap-In Connector Opening Large Bracket
17914	T6-LB-UN	T6 Universal Bracket which can accommodate IPS, Blank, or Cable Pull
17639	T6-LB-RTMKT	CT6 Large Bracket Retractor Mount
17951	RT6-R-LB-RTMKT	RT6-R Retractor Mount Bracket

### Half Large Brackets for use with RT6 EURO only

17339	T6-HLB-CP	1/2 Bracket Cable Pull Housing, 4 Cables
17340	T6-HLB-2IPS	1/2 Bracket 2 Columns - 1 High IPS Opening
17444	T6-HLB-4SS	1/2 Bracket 4 Snap-In Opening
17918	RT6-HLB-4MOM	1/2 Bracket - 4 Monetary Switches

### Half Small Brackets for use with CT6 EURO only

17710	T6-HSB-2SS	CT6 Small Bracket, 2 Snap-in opening
17727	T6-HSB-1IPS	CT6 Small Bracket to hold 1 IPS insert
17728	T6-HSB-CP	CT6 Small Bracket for Cable Pull

