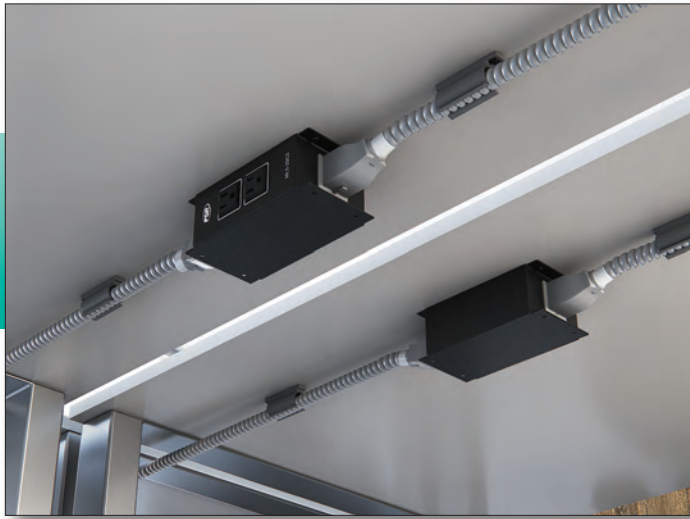


# MLS - Power Distribution Modular Linx System



## DESCRIPTION

FSR's MLS Modular Linx System elegantly distributes two 20 amp AC power circuits to create a relocatable and reusable modular power system. This UL-listed system can be used to distribute power to a maximum of 20 AC outlets on each single circuit. The system utilizes a patented locking connector designed for rugged use in a small form factor. The MLS is installed under the work surface with a power distribution box at each point of use. The cabling can also be used in open walls and ceilings. Tee cables can also be used to split the system at any point in its path.

## IN-FEED OPTIONS

The power for the system can originate from the floor via a Smart-Way Furniture Feed Device Box or Poke-Thru, from a pluggable single wall gang plate or directly hard wired.



MLS-SW-2SO  
Bracket Only



MLS-2SC-4 or -6



MLS-WP-2SO

## DISTRIBUTION BOX

The MLS-2AC2 power distribution box has a male and female connector to allow daisy-chaining. It provides two 20 amp NEMA 5-20R outlets, each connected to a separate circuit. Two small flanges to allow mounting so power can flow in either direction.



MLS-2AC2

# FSR

Power Products Group



## CONNECTING CABLES

The MLS-2AC2 units are interconnected with connecting cables MLS-2CC(x), where the x designates length in feet. Stock cable lengths are 2, 3, 4, 5, 6 and 8 feet. Connecting cables can be strung together to make longer cables or create a separation point.



MLS-2CC

## TEE CABLE

The MLS-2TC can be inserted between any connecting cables or between a connecting cable and the input or the output of any distribution box.



MLS-2TC

## FEATURES

- Designed for 2 to 40 AC Outlets
- Installed as Single or as a Dual Circuit
- UL Listed - CSA Certified
- Robust terminal design exceeds 470Amp for 4 seconds
- Acceptable for interrupting current (make or break) under full load
- Connectors are fully encapsulated for reliability and safety
- Cabling is suitable for environmental air handling spaces (plenums)
- Eco-Friendly, Low Smoke, V0 rated, RoHS-compliant materials

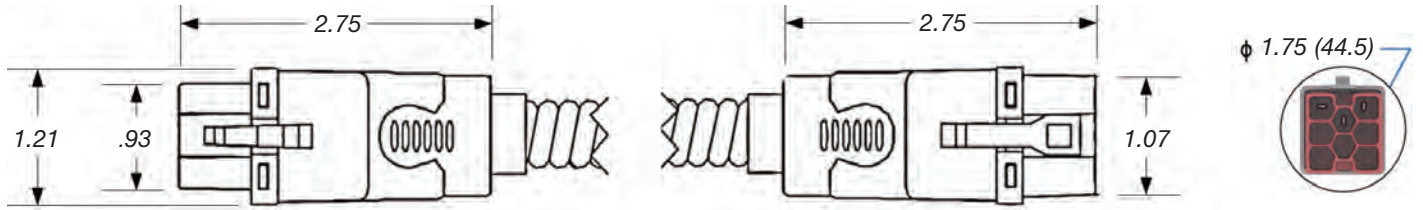
UL 183 - (QQVX) and CSA Certified to be in compliance with CSA 22.2 No. 203-1



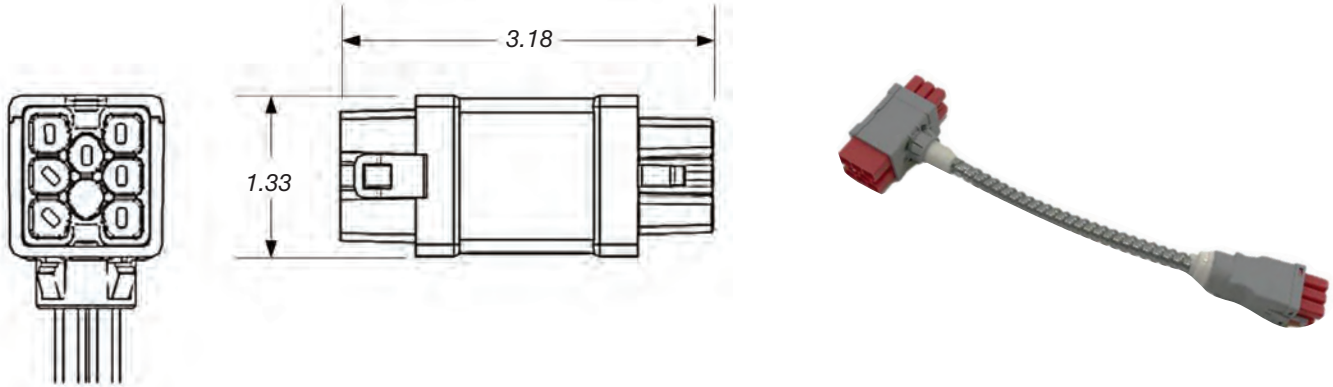
## FSR Inc.

244 Bergen Boulevard, Woodland Park, NJ 07424  
Phone: 973.998.2300 · Fax: 973.785.4207  
Toll Free: 1.800.332.FSR1  
Web: www.fsrinc.com · E-mail: sales@fsrinc.com

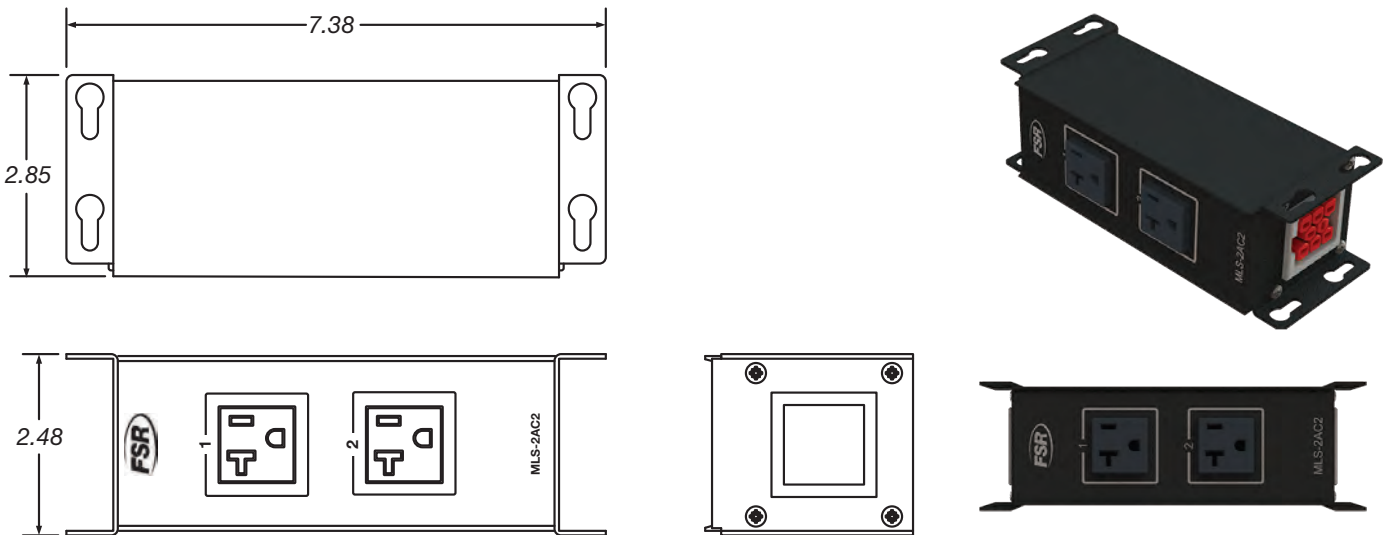
## CONNECTING CABLES



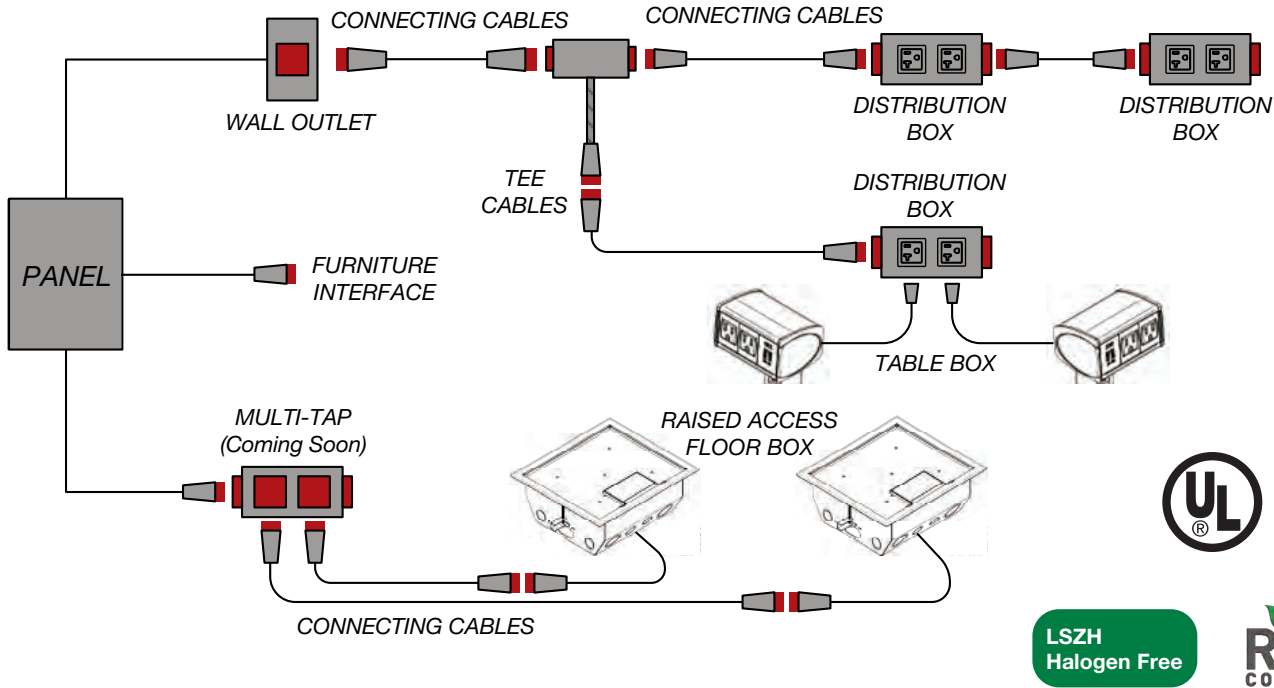
## TEE CABLE



## DISTRIBUTION BOX

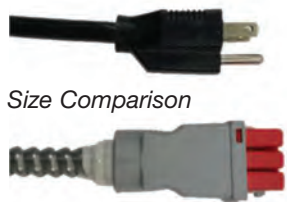


# SYSTEM TOPOLOGY



# ORDERING INFORMATION

Item #	Model #	Description
18485	MLS-2SC-4	Starter Cable 4' - Female Connector to Stripped Ends
18486	MLS-2SC-6	Starter Cable 6' - Female Connector to Stripped Ends
18487	MLS-WP-2SO	1-Gang Plate with Female Connector to Stripped Ends
18488	MLS-SW-2SO	1 Female Connector in-feed plate requires SW-DB-1HWP1D
18216	SW-DB-1HWP1D	Smart-Way Device Box 2 Gang 1 Hardwired Power 1 Data
18489	MLS-2CC2	Connecting Cable 2' - Male to Female Connectors
18490	MLS-2CC3	Connecting Cable 3' - Male to Female Connectors
18491	MLS-2CC4	Connecting Cable 4' - Male to Female Connectors
18492	MLS-2CC5	Connecting Cable 5' - Male to Female Connectors
18493	MLS-2CC6	Connecting Cable 6' - Male to Female Connectors
18494	MLS-2CC8	Connecting Cable 8' - Male to Female Connectors
18495	MLS-2TC	Tee Cable - Female to Male/Female Connectors
18496	MLS-2AC2	20A Power Distribution Box - 2 AC Rec, 1 Male, 1 Female Connector
18017	WM-UTC	Under Table Channel



Size Comparison

The MLS can be used with our under table channels for supporting cable connections.



18017 WM-UTC



Specifications are subject to change without notice.  
© 2021 FSR, Inc. All Rights Reserved.



244 Bergen Boulevard, Woodland Park, NJ 07424  
Phone: 973.998.2300 · Fax: 973.785.4207  
Web: [www.fsrinc.com](http://www.fsrinc.com) · E-mail: [sales@fsrinc.com](mailto:sales@fsrinc.com)

