

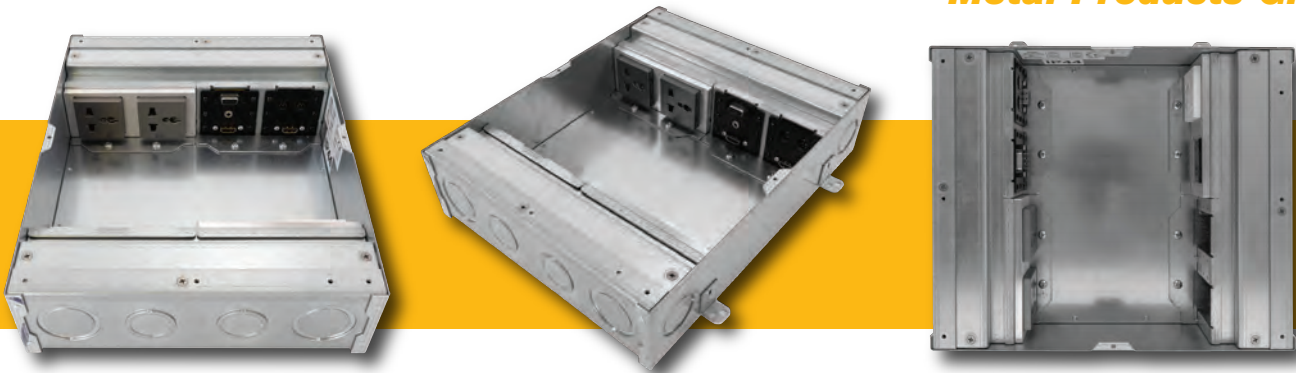
FL-500P-80MM

Floor Box



Metal Products Group

FL-500P-80MM



DESCRIPTION

The FL-500P-80MM is a 80mm depth floor box that combines rugged construction and an elegant design for use in carpet, tile or wood covered floors over poured concrete applications. This floor box has ample compartment room to accommodate 45mm outlets in one elegant and practical box.

Two dual 45mm mounting brackets are provided with the FL-500P-80MM and optional 45mm receptacles are available separately. The receptacles snap into the provided brackets without any hardware, for an ease of installation and secure fit.

The FL-500P-80MM floor box is CE compliant and its U-Access covers listed below have passed the latest UL test for scrub water. The lift-off section of the cover allows full access to internal connector plates and stored cables, and the smaller hinged cable access door flips back to create the cable exit. When the floor box is not in use, the cover is completely closed allowing unencumbered travel in the area with only the hand mitered, elegant carpet edge visible. The low-profile edging is 6.3mm or 12.7mm high and is available in brass or aluminum.

Each floorbox comes with a temporary construction cover. Boxes and covers are sold separately.

SPECIFICATIONS

Box Size:	254mm x 304.8mm x 74.9mm
Cover Size:	266.7mm x 317.5mm x 3.17mm
Flanging Height:	6.3mm or 12.7mm
Material:	Brass or Aluminum Flat and Solid Covers also available
Max Load Capacities:	FL-500P U-Access Cover with 6.3mm Trim: 589kg FL-500P U-Access Cover with 12.7mm Trim: 680kg FL-500P solid U-Access Cover Trim: 1134kg

APPLICATIONS

- Hotel Lobbies
- Conference Centers
- Board Rooms
- Cruise Ship
- Anywhere an upscale, richly finished look is required

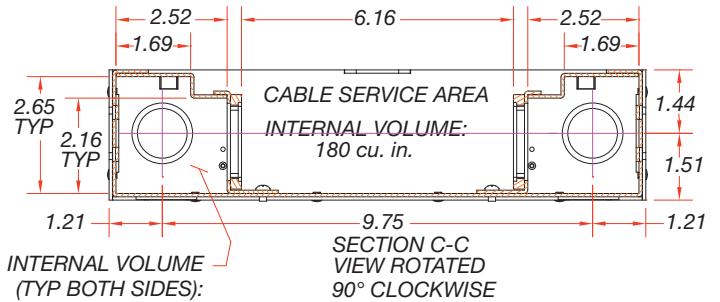
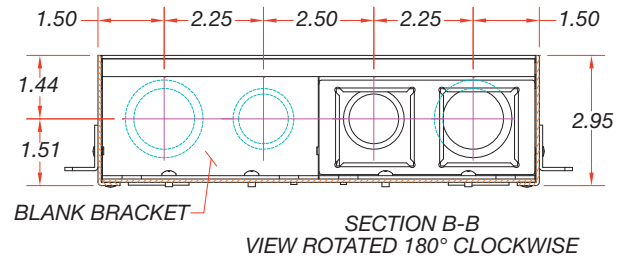
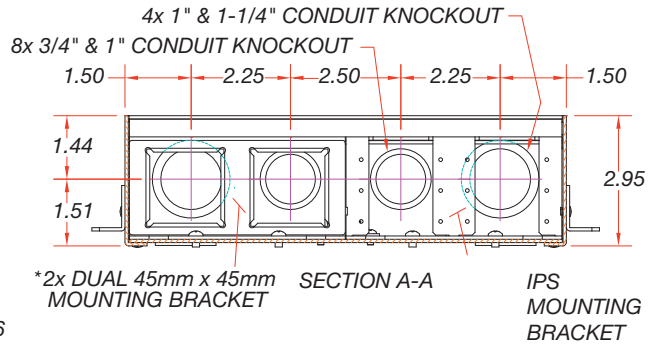
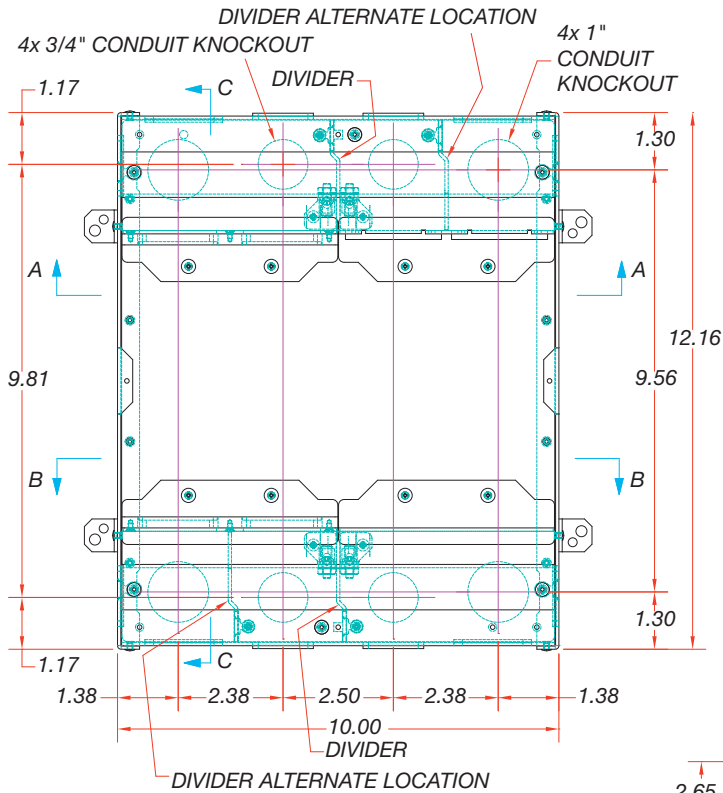
FSR Inc.

244 Bergen Boulevard, Woodland Park, NJ 07424
Phone: 973.998.2300 · Fax: 973.785.4207
Web: www.fsrinc.com · E-mail: sales@fsrinc.com
Toll Free: 1-800-332-FSR1

LIT1822A

DIMENSIONS**

**Dimensions below are measured in inches



INTERNAL VOLUME (TYP BOTH SIDES):
 NO DIVDER - 61 cu. in.
 CENTER DIVIDER - 30.5 cu. in. & 30.5 cu. in.
 OFFSET DIVIDER - 46 cu. in. & 15 cu. in.

- * MOUNTING BRACKET CAN ACCOMODATE 1 OR 2 45mm x 45mm INTERNATIONAL STANDARD SOCKET OUTLET. BRACKET HAS BEEN DESIGNED / TESTED WITH THE FOLLOWING SQUARE SOCKETS:
- LEGRAND ARTEOR 45mm SQ. OUTLETS:
- CAT# 5721 11 BRITISH STANDARD
- CAT# 5721 13 CHINA STANDARD
- CAT# 5721 15 SWITZERLAND STANDARD
- CAT# 5721 17 AMERICAN STANDARD
- CAT# 5721 18 GERMAN SCHUKO STANDARD
- CAT# 5720 21 FRENCH SCHUKO STANDARD
- CAT# 5723 42 45mm BLANK

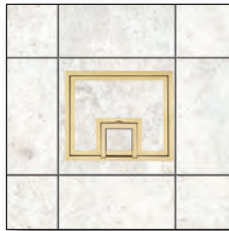
FL-500P-80MM ORDERING INFORMATION

18077	FL-500P-80MM	80MM depth back box
18482	FL-500P-80MM-D45BRK	Additional Dual 45MM Floor Box Bracket
Provided Brackets with FL-500P-80MM		
53930	Dual 45mm Socket Frame (Comes assembled with item 54023)	
54023	Dual 45mm Mounting Bracket (Comes assembled with item 53930)	
54024	6 x IPS Mounting Bracket	
54054	FL-500P-80MM Blank International Bracket	
54022	FL-500P-3-EU Divider	

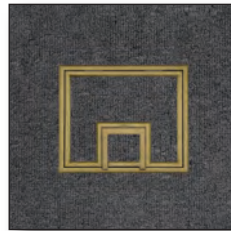
FL-500P-80MM COVERS ORDERING INFORMATION

Item #	Part #	Description
U-Access Covers - UL Scrub Water Rated for Tile and Carpet Installations		
17548	FL-500P-B-C	FL-500P Cover With 12.7mm Brass Square Flange (Lift off door) *Max static load 680kg
17546	FL-500P-BLP-C	FL-500P Cover With 6.3mm Brass Beveled Flange (Lift off door) *Max static load 590kg
17547	FL-500P-BSQ-C	FL-500P Cover With 6.3mm Brass Square Flange (Lift off door) *Max static load 590kg
17551	FL-500P-S-C	FL-500P Cover With 12.7mm Aluminum Square Flange (Lift off door) *Max static load 680kg
17549	FL-500P-SLP-C	FL-500P Cover With 6.3mm Aluminum Beveled Flange (Lift off door) *Max static load 590kg
17550	FL-500P-SSQ-C	FL-500P Cover With 6.3mm Aluminum Square Flange (Lift off door) *Max static load 590kg
17554	FL-500P-PLP-GRY-C	FL-500P Cover with 6.3mm Painted Beveled Flange - Gray (Lift off door) *Max static load 590kg
17553	FL-500P-PLP-CLY-C	FL-500P Cover with 6.3mm Painted Beveled Flange - Clay (Lift off door) *Max static load 590kg
17552	FL-500P-PLP-BLK-C	FL-500P Cover with 6.3mm Painted Beveled Flange - Black (Lift off door) *Max static load 590kg
U-Access Covers - UL Scrub Water Rated - No Carpet Trim**		
17555	FL-500P-SLD-ALM-C	FL-500P Solid Cover w/ Cable Exit (No Flange) - Aluminum *Max static load 1134kg
17556	FL-500P-SLD-BLK-C	FL-500P Solid Cover w/ Cable Exit (No Flange) - Black *Max static load 1134kg
17557	FL-500P-SLD-CLY-C	FL-500P Solid Cover w/ Cable Exit (No Flange) - Clay *Max static load 1134kg
17558	FL-500P-SLD-GRY-C	FL-500P Solid Cover w/ Cable Exit (No Flange) - Gray *Max static load 1134kg
Flat Covers (No Flange) with Hinged Door		
15075	FL-500P-BLK-C	Flat Cover in Black Wrinkle Powder Coat
18153	FL-500P-PTSLV	Flat Cover in Silver Paint
15526	FL-500P-SS-C	Flat Cover in Stainless Steel
16221	FL-500P-BRS-C	FL-500P Cover Flat- Brass

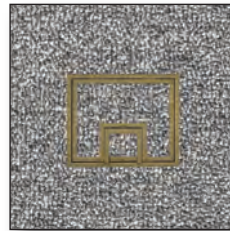
FL-500P-B-C



FL-500P-BLP-C



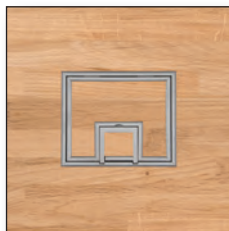
FL-500P-BSQ-C



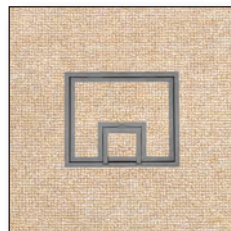
FL-500P-S-C



FL-500P-SLP-C



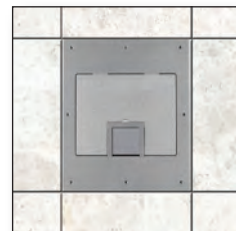
FL-500P-SSQ-C



FL-500P-PLP-BLK-C



FL-500P-SLD-ALM-C



FL-500P-BLK-C



OPTIONAL 45MM POWER RECEPTACLES

18356	SOC45-UN	45mm Universal Socket - 10 AMP / 250 VAC - To be used with FL-500P-80MM, FL-200 and Smart-Way Raceway device boxes
18357	SOC45-TF	45mm Type F SCHUKO - Europe & Russia - 16 Amp / 250 VAC - To be used with FL-500P-80MM, FL-200 and Smart-Way Raceway device boxes
18358	SOC45-TI	45mm Type I - Australia, New Zealand, China & Argentina - 10 AMP / 240 VAC - To be used with FL-500P-80MM, FL-200 and Smart-Way Raceway device boxes
18359	SOC45-TG	45mm Type G - UK, Ireland, Malta, Malaysia & Singapore - 13 AMP / 250 VAC - To be used with FL-500P-80MM, FL-200 and Smart-Way Raceway device boxes

SOC45-UN



SOC45-TF



SOC45-TI



SOC45-TG

