

# SmartFit

## 10" Fire-Rated Poke-Thru

**FIRE RATED**



FSR floor box products meet the Build America Buy America Act (BABA) and TAA requirements



Metal Products Group

SmartFit 10"



### DESCRIPTION

FSR's 10" Fire-Rated "Poke-Thru" floor boxes provide capacity, aesthetics and installation ease. These sturdy core hole products combine flexibility via recessed mounting bracketry to accommodate a wide assortment of power, data and audio video connection options.

Covers are available in three architectural finishes: Brushed Aluminum, Black and Brushed Brass, providing an attractive appearance with superior durability. The entire cover door swings open 180° and the two smaller cable access doors fold down for cable egress while the cover door is secure. The cover technology exceeds UL scrub water testing requirements.

A complete line of sub-plates for device mounting is available to populate the interior middle and end areas of the housing.

### SPECIFICATIONS

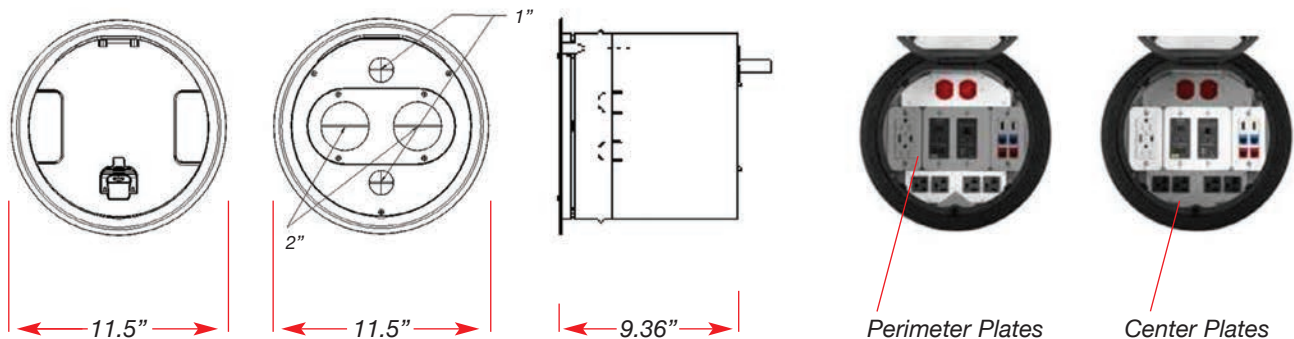
- 2-hour fire rating
- 180° access door opening
- Flange height 0.16" and complies with ADA requirements
- Power wiring junction box included
- Complies with UL514A for scrub water test
- 1000 lb. cover load rating with 2x safety factor
- ULC and cULus

### FEATURES

- Drop down cable access doors to reduce trip hazards
- Pre-pour tubes to remove the need for core hole drilling
- Sub-plates to accept third party devices
- NEMA device spacing available

**All Fire-Rated Poke-Thru's are Buy American compliant**

### OVERALL DIMENSIONS



Specifications are subject to change without notice.

### FSR Inc.

244 Bergen Boulevard, Woodland Park, NJ 07424  
Phone: 973.998.2300 · Fax: 973.785.4207  
Web: www.fsrinc.com · E-mail: sales@fsrinc.com  
Toll Free: 1-800-332-FSR1

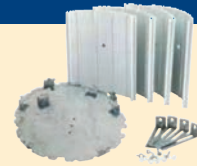
LIT1816B

**Item# Model# 10" Poke-Thru Fitting & Pour Sleeve**

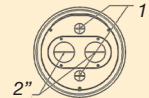
**18388 SF10-PT**  
Poke Thru without;  
Cover, Sub-Plates and  
Bottom Feed Brackets



**18389 SF10-PS**  
Pre-Pour Sleeve

**Furniture Feed Cover Kits includes 2 Reducing Bushings & 2 Dividers (Bottom Feeds Required)**

**18393 SF10-FFCVR-ALM** Brushed Alum  
**18394 SF10-FFCVR-BLK** Black Painted  
**18395 SF10-FFCVR-BRS** Brass Plated

**Hinged Access Covers with 2 Fold Down Doors**

**18390 SF10-CVR-ALM** Brushed Alum  
**18391 SF10-CVR-BLK** Black Painted  
**18392 SF10-CVR-BRS** Brass Plated  
**18396 SF10-CVR-ABAND** Abandonment Cover Plate

**Center Section Sub-Plates (4-Gang Total, All Required)**

**18397 SF10-CNP-1DE**  
1-Gang Decorator



**18400 SF10-CNP-2DE**  
2-Gang Decorator Nema Spacing



**18401 SF10-CNP-3DE**  
3-Gang Decorator Nema Spacing



**18402 SF10-CNP-4DE**  
4-Gang Decorator



**18398 SF10-CNP-1DX**  
1-Gang Duplex



**18399 SF10-CNP-4DX**  
4-Gang 4-Duplex



**18403 SF10-CNP-1BLNK**  
1-Gang Blank



**18404 SF10-CNP-2BLNK**  
2-Gang Blank



**18405 SF10-CNP-4BLNK**  
4-Gang Blank



**18406 SF10-CNP-IPS**  
1-Gang 4-IPS



**18407 SF10-CNP-140R**  
1-Gang 1.40" Rnd Opening



**18408 SF10-CNP-160R**  
1-Gang 1.60" Rnd Opening



**18409 SF10-CNP-VID**  
1-Gang 1-VGA/HDMI



**18410 SF10-CNP-1XLR**  
1-Gang 1-XLR



**18411 SF10-CNP-2XLR**  
1-Gang 2-XLR

**Perimeter Section Sub-Plates (1 Full Size or 2 Half Size per Side Compartment)**

**18413 SF10-PRP-FDE**  
Full Decorator



**18414 SF10-PRP-FDX**  
Full Duplex



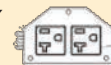
**18415 SF10-PRP-FIPS**  
Full 4-IPS



**18416 SF10-PRP-DIV**  
Perimeter Plate Divider



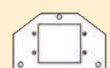
**18417 SF10-PRP-HWDX**  
Half 20A Pre-Wired Receptacle



**18418 SF10-PRP-HBLNK**  
Half Blank



**18419 SF10-PRP-HIPS**  
Half 2-IPS



**18420 SF10-PRP-HVID**  
Half 1-VGA/HDMI



**18421 SF10-PRP-HXLR**  
Half 1-XLR

**Bottom Feed Center Brackets (4-Gangs Total, All Required)**

**18422 SF10-BCN-50**  
1-Gang 0.50" EMT Feed



**18423 SF10-BCN-75**  
1-Gang 0.75" EMT Feed



**18424 SF10-BCN-100**  
1-Gang 1.00" EMT Feed



**18425 SF10-BCN-125**  
1-Gang 1.25" EMT Feed



**18426 SF10-BCN-150**  
2-Gang 1.50" EMT Feed



**18427 SF10-BCN-200**  
2-Gang 2.00" EMT Feed



**18428 SF10-BCN-250**  
2-Gang 2.50" EMT Feed



**18429 SF10-BCN-BLNK**  
1-Gang Blank



**18430 SF10-BCN-PASS**  
1-Gang Pass Thru

**Bottom Feed Perimeter Brackets (2 Required per Side, Total 4 Required)**

**18431 SF10-BPR-50**  
0.50" EMT Feed



**18432 SF10-BPR-75**  
0.75" EMT Feed



**18433 SF10-BPR-100**  
1.00" EMT Feed



**18434 SF10-BPR-125**  
1.25" EMT Feed



**18435 SF10-BPR-BLNK**  
Perimeter Blank



**18436 SF10-BPR-PASS**  
Perimeter Pass Thru

**Internal Compartment Dividers (Optional)**

**18437 SF10-INCN-DIV**  
Center Divider



**18438 SF10-INPR-DIV**  
Perimeter Divider