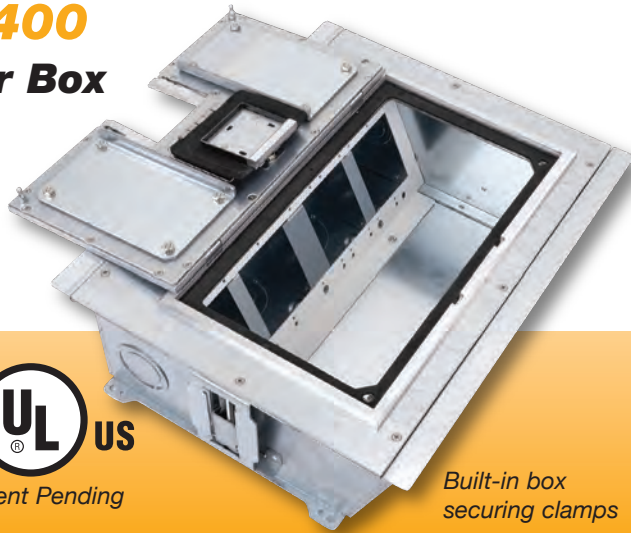


FL-400 Floor Box



Patent Pending



Built-in box
securing clamps

FSR

Metal Products Group

FL-400

NEW



Gang Plate Dust Covers use part #
FL-600P-DCIH for ordering.

DESCRIPTION

Introducing the FL-400, a new concept in floor boxes. Designed to be installed in wood, concrete or raised access floors, this 5-inch deep box features our Patent Pending Clamps to secure the box in place.

Plenty of knockouts around the box vary in sizes from 1/2" all the way up to 2". The FL-400 includes all the necessary internal plates and brackets to make pre- and post-pour compartment changes quick and easy. Using this system, both high and low voltage configurations, along with compartment isolation, can be implemented "on the fly." This feature makes just about any cabling/connector scenario possible.

The compartments inside the box are on one side only, leaving plenty of space for storing direct boxes/throw down boxes, or storing cables.

The cover is a new hinged design with the popular U-Access latch. No tools are necessary to open or close the box. You have 13 different cover options, which include the popular brass and silver carpet or wood edging, to match the designer's requirements.

FSR has been designing and manufacturing floor boxes for over 35 years. Our innovative designs handle the rigors of a floor environment while blending into your floor designs.

SPECIFICATIONS

Size:	Box: 10 ⁷ / ₈ " X 14 ⁷ / ₈ " x 5" Cover: 10 ¹ / ₁₆ " X 14 ⁷ / ₈ " Material - 1/8" steel
Edging:	Material: Brass, Aluminum or Steel Note: See chart on last page for cover models and edging options
Weight:	Box: 10.3 lbs. Cover: 3.1 lbs.
Knockouts:	1/2" - 4 3/4" - 8 1" - 6 1 1/4" - 2 1 1/2" - 4 2" - 2

See drawing on page 2 for maximum device depth.

FEATURES

- 5-inch depth floor box
- Designed to be versatile, the FL-400 floor box can be installed in wood, concrete, & raised floor constructions
- Cutting edge design allows for a fully divided 4-gang or semi-divided/undivided 5-gang internal configuration
- Easily customizable internal configurations
- 13 different cover options available

FSR Inc.

244 Bergen Boulevard, Woodland Park, NJ 07424

Phone: 973.785.4347 · Fax: 973.785.4207

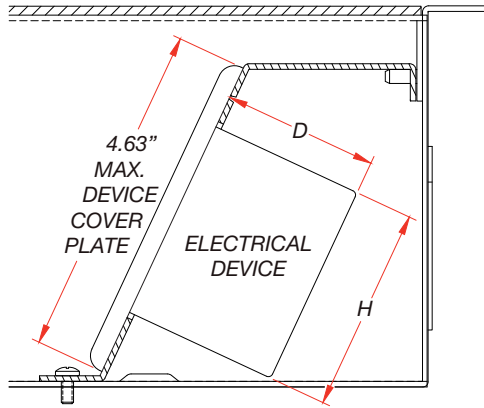
Order Desk: 1-800-332-FSR1

Web: fsrinc.com · E-mail: sales@fsrinc.com

LIT1770A

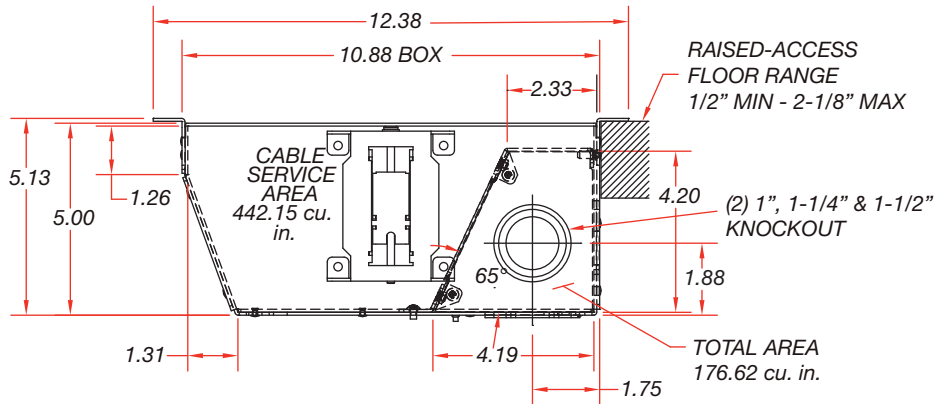
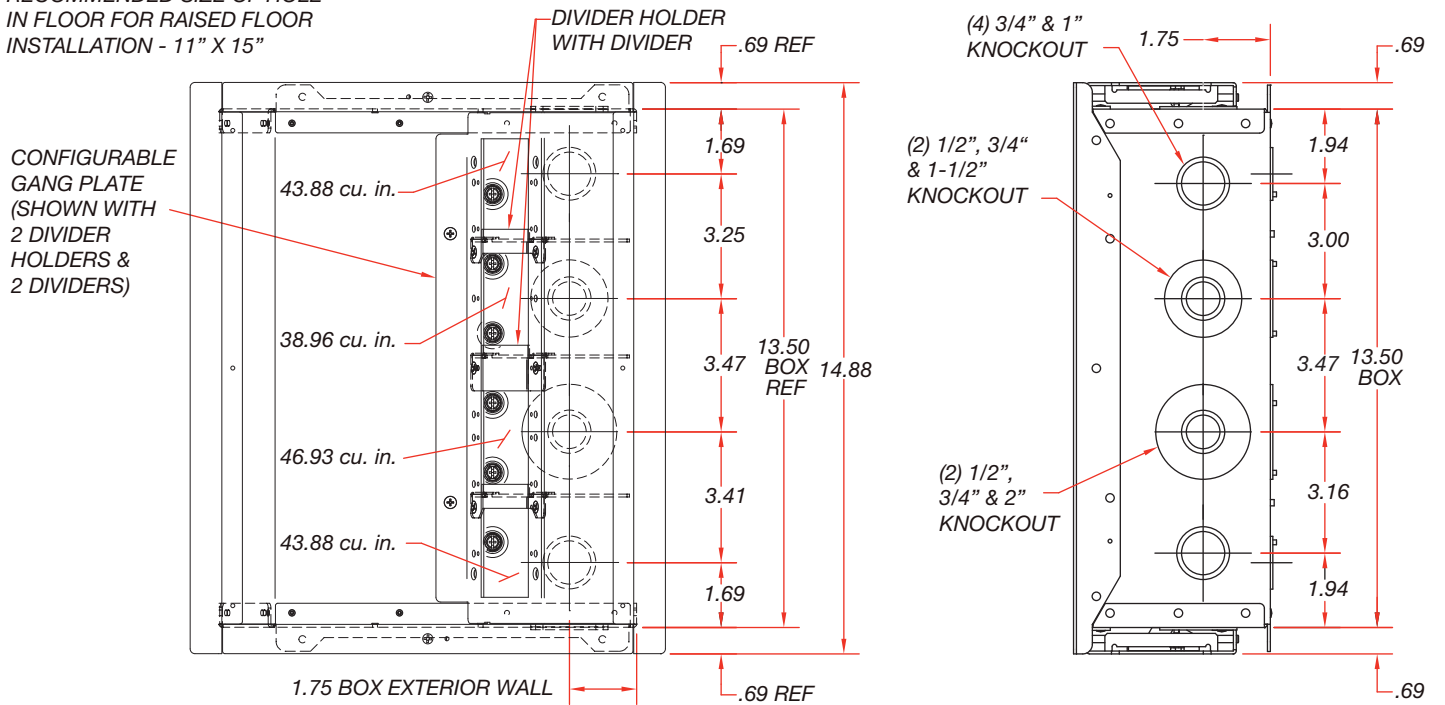
SPECIFICATIONS FL-400-5-B

FL-400



Maximum Device Dimensions
 2.6" height = 2.16" depth
 2.7" height = 2.06" depth
 2.8" height = 1.95" depth
 2.9" height = 1.85" depth

RECOMMENDED SIZE OF HOLE IN FLOOR FOR RAISED FLOOR INSTALLATION - 11" X 15"

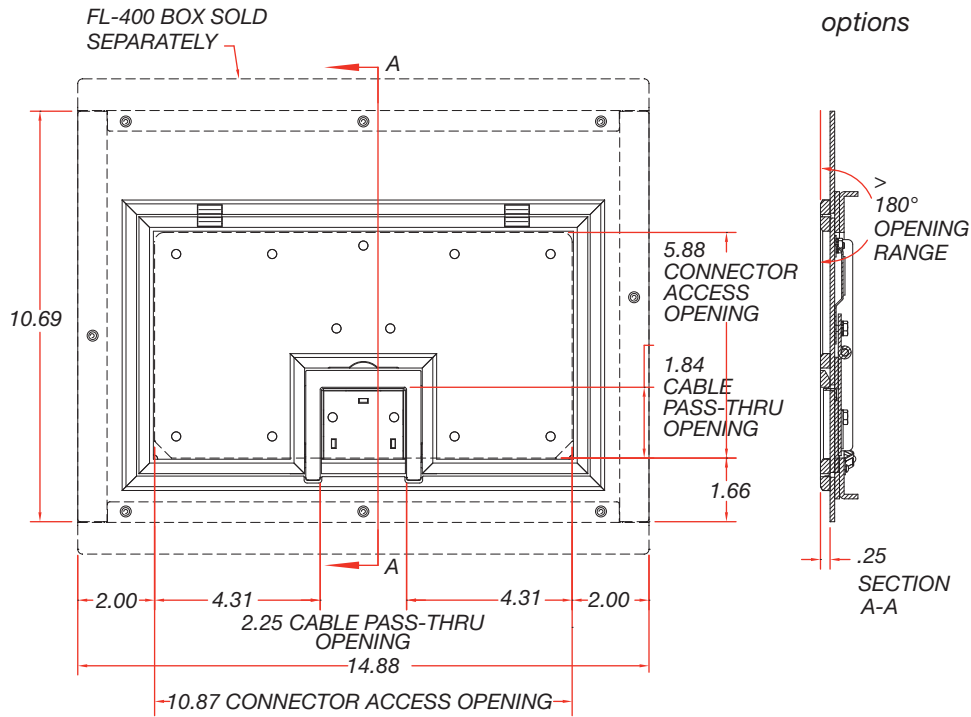


RAISED-ACCESS FLOOR RANGE
 1/2" MIN - 2-1/8" MAX

Maximum Device Depth,
 Mounting Plate Hole Lower
 Edge To Box Floor: 1.95"

HINGED U-ACCESS COVER SPECIFICATIONS

See chart on last page for cover models and edging options



HINGED U-ACCESS COVER - 180° OPENING RANGE



CONFIGURATIONS



1-1-1



1-1-2



1-1-3



1-3-1



1-4



2-2



2-3



4-1



5-0

ITEM #	PART #	DESCRIPTION
18188	FL-400-5-B	5" Box Bottom
18189	FL-400-PTSLV-C	Flat, Silver-Painted Cover, Smooth
18190	FL-400-PTBK-C	Flat, Black-Texture-Painted Cover
18191	FL-400-BLP-C	Cover With 1/4" Brass Carpet Flange (Hinged U-Access)
18192	FL-400-BSQ-C	Cover With 1/4" Square Brass Flange (Hinged U-Access)
18193	FL-400-B-C	Cover With 1/2" Brass Squared Flange (Hinged U-Access)
18194	FL-400-SLP-C	Cover With 1/4" Aluminum Carpet Flange (Hinged U-Access)
18195	FL-400-SSQ-C	Cover With 1/4" Square Aluminum Flange (Hinged U-Access)
18196	FL-400-S-C	Cover With 1/2" Aluminum Squared Flange (Hinged U-Access)
18197	FL-400-PLP-BLK-C	Cover with 1/4" Painted Carpet Flange - Black (Hinged U-Access)
18198	FL-400-PLP-GRY-C	Cover with 1/4" Painted Carpet Flange - Gray (Hinged U-Access)
18199	FL-400-SLD-ALM-C	Solid Cover w/ Cable Exit (No Trim) Aluminum
18200	FL-400-SLD-BLK-C	Solid Cover w/ Cable Exit (No Trim) Black
18201	FL-400-SLD-GRY-C	Solid Cover w/ Cable Exit (No Trim) Gray
18202	FL-400-CSK	Cover Shim Kit - 1/16" to 1/4" Temp & Finish Cover
18668	FL-600P-DCIH	2 Dust Covers for FL-400/FI-600P Gang Plate