

## T3-MJ+

### Table Microphone Box with improved noise isolation

**New Options  
and Muting  
Features!**



US Patent Number: 6,881,080  
Microphone not included.

# FSR

## Metal Products Group

T3-MJ+



**Models Available in  
3 Pin, 5 Pin or  
Mini 3 Pin XLR  
and built-in  
muting option.**



The first elegant way to mount a gooseneck microphone. These stylish, mini tableboxes are round and are available in three finishes brass, aluminum, or black to complement a variety of decors.

The **T3-MJ+** is a simple installation requiring a 2-inch round hole. Less than 1.5-inches of under table clearance is required. The built-in, acoustically isolated microphone connector accommodates microphones with 3-pin XLR plugs of a diameter of 1-inch or less and provides superior shock and vibration damping.

They are designed to accommodate a wide range of tables and lecterns with up to 2½-inch thick surfaces. An undertable shroud is provided as part of the assembly.

The **T3-MJ+1B** or **2B** lets you add one or two buttons to the basic **T3-MJ+**. These units are custom assembled with momentary or maintained type switches with a variety of switch caps and bi-color LED's. The switch (SPDT) contacts and LED wires terminate on screw terminals for ease of wiring.

The **T3-MJ+1BM** or **2BM** models feature an internally pre-wired built in mute feature. The right switch, when pressed, will alternate between mute / unmute states. Mute status is provided via the bi-color LED with red indicating mute and green indicating active. Power for this feature is derived from the mixer's phantom power source.

## APPLICATIONS

- Conference and Boardroom Tables
- Judicial Benches and Tables
- Courtrooms
- State Houses
- Lecterns
- Pulpits
- Control Rooms

## FSR Inc.

244 Bergen Boulevard, Woodland Park, NJ 07424

Phone: 973.785.4347 · Fax: 973.785.4207

Order Desk: 1-800-332-FSR1

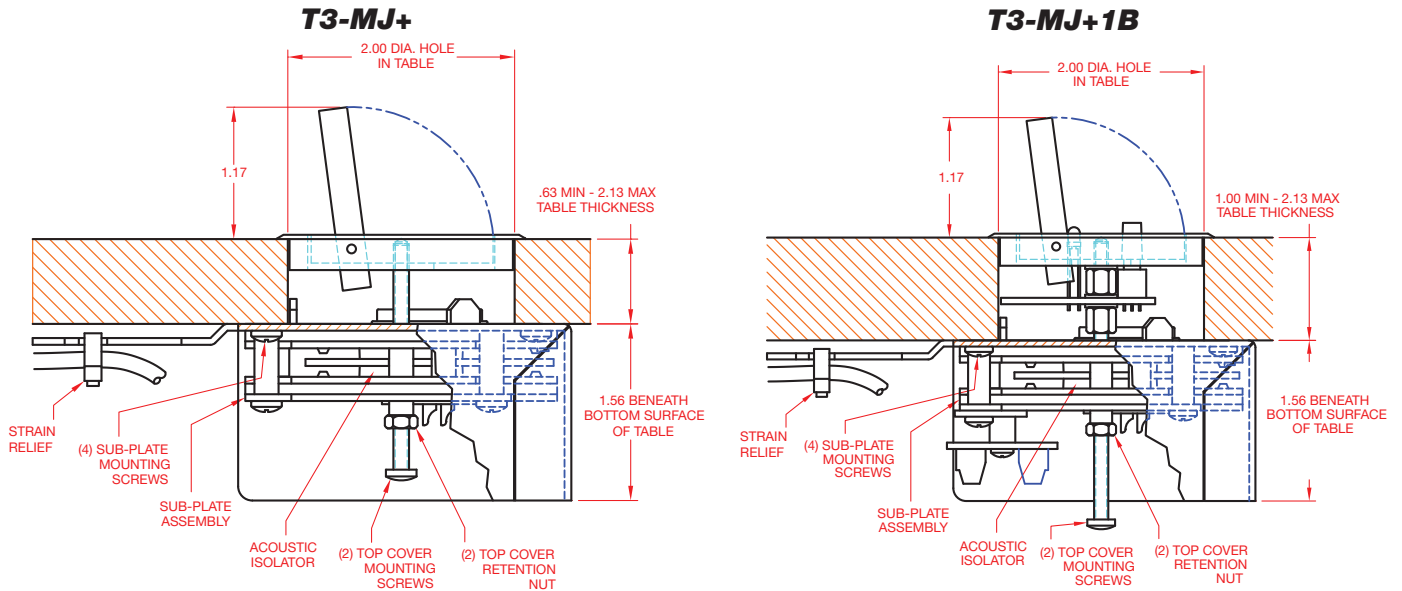
Web: [www.fsrinc.com](http://www.fsrinc.com) · E-mail: [sales@fsrinc.com](mailto:sales@fsrinc.com) LIT1123D

# ORDERING INFORMATION

Item #	Part #	Description
<b>T3-MJ+ Microphone Mounts with Improved Noise Isolation</b>		
17262	T3-MJ+BLK	Microphone Mount - Improved Noise Isolation - Black Cover
17264	T3-MJ+ALM	Microphone Mount - Improved Noise Isolation - Aluminum Cover
17266	T3-MJ+BRS	Microphone Mount - Improved Noise Isolation - Brass Cover
<b>T3-MJ+1BM Microphone Mount with Improved Noise Isolation 1 Button and LED w/<b>Built in Mic Mute</b></b>		
17238	T3-MJ+1BM-BLK	Mic Mount, 1 Button w/ Mute - Imp Noise Isolation - Black Cover
17240	T3-MJ+1BM-ALM	Mic Mount, 1 Button w/ Mute - Imp Noise Isolation - Aluminum Cover
17242	T3-MJ+1BM-BRS	Mic Mount, 1 Button w/ Mute - Imp Noise Isolation - Brass Cover
<b>T3-MJ+1B or 2B Microphone Mount with Improved Noise Isolation 1 or 2 Buttons w/LED</b>		
MTO	T3-MJ+1B-xxx	Mic Mount w/ Improved Noise Isolation, 1 Button and 1 LED
MTO	T3-MJ+2B-xxx	Mic Mount w/ Improved Noise Isolation, 2 Buttons and 2 LEDs
<b>T3-MJ+2BM Microphone Mount with improved noise isolation 2 Button and LED w/<b>Built in Mic Mute</b></b>		
MTO	T3-MJ+2BM-xxx	Mic Mount w/ Improved noise isolation, two button with LED, right button internal mute.

xxx = Please specify desired color; "BLK" for black, "ALM" for aluminum or "BRS" for brass.

Example: A T3-MJ+2BM-ALM would have an aluminum cover with two buttons and two LED's. The right button would have an internal muting circuit pre-wired.



Specifications are subject to change without notice.



244 Bergen Boulevard, Woodland Park, NJ 07424

Phone: 973.785.4347 · Fax: 973.785.4207 · Web: [www.fsrinc.com](http://www.fsrinc.com) · E-mail: [sales@fsrinc.com](mailto:sales@fsrinc.com)