

# PoE to USB Chargers



IT-WPCHRG-P2U



IT-CHRG-P2U

Using FSR's PoE to USB chargers, you can power and charge USB devices such as an iPad® from a PoE-Ethernet drop without the need for AC line power. The IT-CHRG-P2U "cube style" model can be mounted in a 2-gang wall box behind a wall mounted USB device. Both units emulate the Apple™ charging circuit to avoid annoying pop-ups. The IT-WPCHRG-P2U Decora style models fit directly into a standard gang box and are available with black or white cover plates.

The PoE to USB chargers will operate and charge the iPad®, iPod®, iPhone® and most other USB powered devices. The output side is rated at 5VDC@2A/10W and both models derive ample power from a standard PoE network connection.



Mount in a 2-gang wall box



Patent No. 9,755,852

## FEATURES

- Powers/charges USB devices without an AC line
- Compatible with USB 2.0 and power switch requirements
- Universal USB charger
- Power "ON" indicator
- IEEE 802.3at Type1 Class 0  
IEEE 802.3af

## ORDERING INFORMATION

### IT-CHRG-P2U

PoE to USB Universal, Charger Cube

### IT-WPCHRG-P2U- (BLK, WHT)

PoE to USB Universal, Charger Wallplate

## OTHER CHARGERS OFFERED

DC powered USB chargers\*



IT-USB-CHRG  
(BLK, WHT)



IPS-D717S  
(BLK, WHT)



SS-USB-CHRG  
(BLK, WHT)



SS-USB-CHRG-PS6

\*For detailed information see DC Powered USB Chargers spec.

Products not shown to scale.

® iPad is a registered trademark of Apple Inc., registered in the US and other countries. The products contained on these pages are not endorsed by or affiliated with Apple Inc.

## FSR Inc.

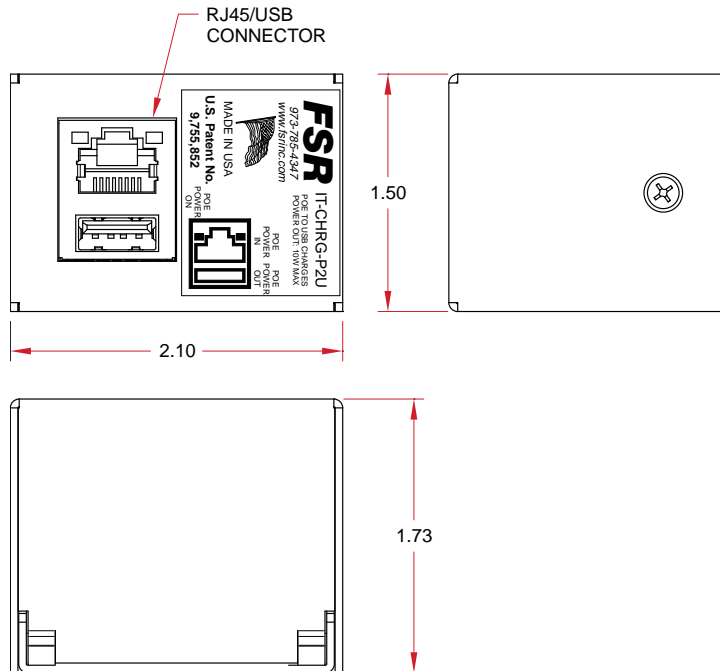
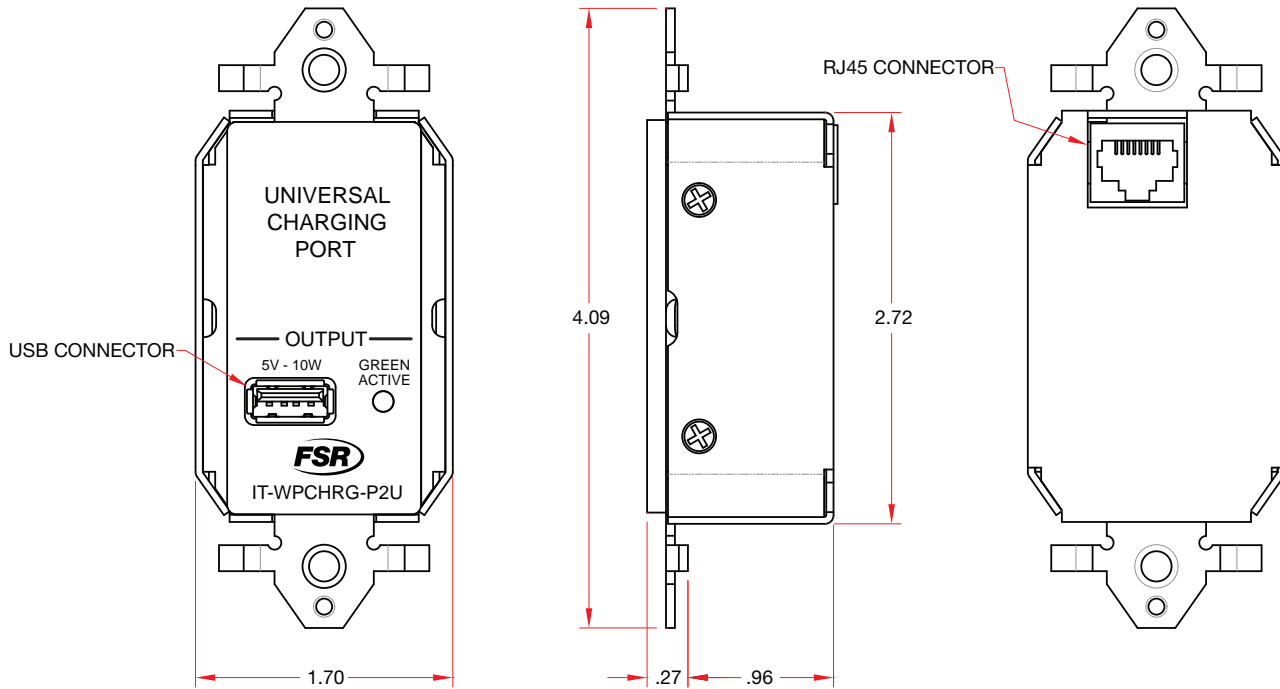
244 Bergen Boulevard, Woodland Park, NJ 07424

Phone: 973.785.4347 · Fax: 973.785.4207

Order Desk: 1-800-332-FSR1

Web: www.fsrinc.com · E-mail: sales@fsrinc.com LIT1407G

# DIMENSIONS



Specifications are subject to change without notice.



244 Bergen Boulevard, Woodland Park, NJ 07424  
 Phone: 973.785.4347 · Fax: 973.785.4207  
 Web: www.fsrinc.com · E-mail: sales@fsrinc.com