

# DV-HSW4K-41

## UHD 4K HDMI Digital Switcher

# FSR

Video Products Group

DV-HSW4K-41



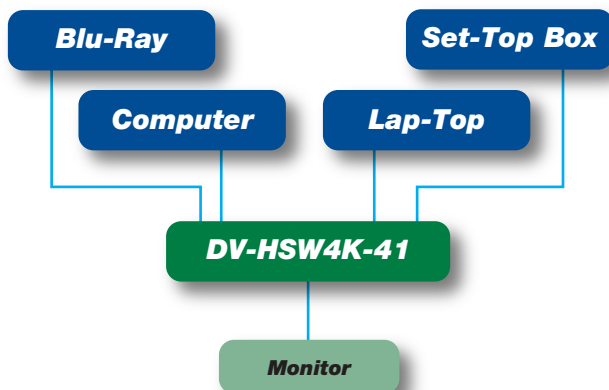
### DESCRIPTION

The DV-HSW4K-41 is a high performance 4x1 UHD 4K HDMI switcher and is a perfect solution for managing multiple HD sources. It provides four inputs for direct connection of HDMI sources and maintains a quality throughput without signal loss supporting resolutions up to UHD 4K 2160P (3840x2160) @60Hz (4:2:0).

The unit features an EDID copy mode that can be used when the standard EDID preset resolutions do not match the display.

LED indicators provide feedback for the selected input and serial communication data.

The DV-HSW4K-41 can be easily integrated with FSR's full line of **HuddleVU** collaboration systems. It can also be easily controlled via our **FLEX** Control Systems.



### FEATURES

- HDMI V1.4
- HDCP 1.4
- Supports Highest Quality Picture; No Digital Noise
- Front Panel Controls
- Built-in RS-232 port for remote control
- Mounting Brackets Included

### SPECIFICATIONS

- Inputs: 4x HDMI up to UHD 4K 2160P (3840x2160)@60Hz (4:2:0)
- Outputs: 1x HDMI up to UHD 4K 2160P (3840x2160)@60Hz (4:2:0)
- Power Supply: DC 12VDC 0.3A Power Supply Adapter included
- Dimension (WxDxH): 7.5 in. (190.2mm) x 3.25 in. (82.7mm) x 1 in. (26.2mm)
- Weight: 1 lb (.45 kg)

### APPLICATIONS

- Video Wall System
- Large LED Sign Board
- Medical Imaging Equipment
- TV Broadcast Station
- Auditorium
- Conference Room
- Church Video System

### FSR Inc.

244 Bergen Boulevard, Woodland Park, NJ 07424

Phone: 973.785.4347 · Fax: 973.785.4207

Order Desk: 1-800-332-FSR1

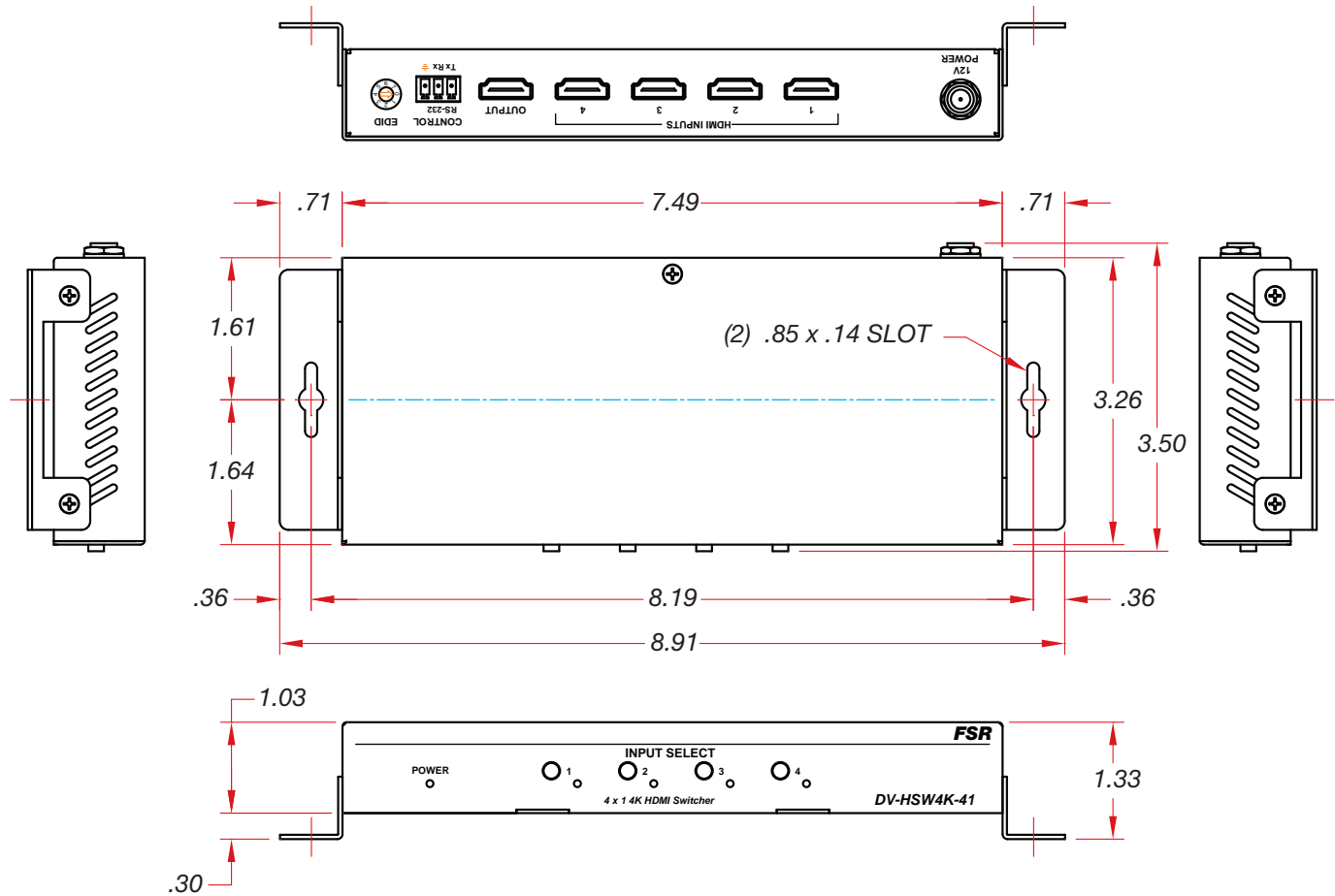
Web: www.fsrinc.com · E-mail: sales@fsrinc.com LIT1380C



# SPECIFICATIONS

Video	
Input	4 x HDMI
Output	1 x HDMI
Input/ output Signal Type	HDMI: HDMI with HDCP 1.4
Input/output Resolution Support	HDMI: 480i, 576i, 480p, 576p, 720p@50, 720p@60, 1080p@24, 1080i@25, 1080i@30, 1080p@30, 1080p@50, 1080p@60, UHD 4K 2160P (3840 x 2160)@60Hz (4:2:0)
Maximum Pixel Clock	297 MHz
Input Video Signal	0.5~1.5 volts p-p
Video Impedance	100 ohms
General	
Power Supply	12V 0.3A DC
Power Consumption	4.1 Watts Max
Control Method	Front Panel Buttons, RS232 control
Operating Temperature	32°F to 113°F (0°C to 45°C) – 10% to 90%, non-condensing
Storage Temperature	-4°F to 140°F (-20°C to 70°C) – 10% to 90%, non-condensing
ESD Protection	Human-body Model:±kV (Contact discharge)
Dimensions (L x W x H)	7.5 in. (190.2mm) x 3.25 in. (82.7mm) x 1 in. (26.2mm)
Weight	1.00 lb (0.45kg)

# DIMENSIONS



## FSR Inc.

244 Bergen Boulevard, Woodland Park, NJ 07424  
 Phone: 973.785.4347 · Fax: 973.785.4207  
 Web: www.fsrinc.com · E-mail: sales@fsrinc.com