

TC-CHRG Table Coaster



FSR Metal Products Group

TC-CHRG



DESCRIPTION

FSR's new line of Table Coaster AC charging table boxes are designed with a single AC outlet under the hinged cover and two USB Charging ports in the top of the unit.

The USB chargers present the necessary "hardware signature" to communicate with the user's device and provide the correct charging wattage, up to a full 15 watts. Powered by the integrated AC Power line, there is no need for any external power supplies to power the USB chargers.

These stylish table boxes fit a 3½" round opening and are easily installed using a standard hole-saw in tables that are ¾" to 2½" thick.

The TC-CHRG boxes are available in black or aluminum finishes and can be ordered with a six- or nine-foot AC cord.

These Table Boxes are priced to fit all budgets, easy to install and are designed to fit any decor.

APPLICATIONS

- Court Rooms
- Desks
- Lecterns
- Lab Tables
- Boardroom Tables
- Control Consoles
- Classrooms
- Hotel Furniture
- Airports
- Retail
- Meeting Rooms
- Lounges

FEATURES

- Single AC outlet and 2 USB charging ports charge up to 3 devices simultaneously
- Black and Aluminum finishes
- Powered via a single 6' or 9' AC cable
- Easy and flexible installation
- Agency: UL Listed

OTHER TABLE BOX FAMILIES

Visit www.fsrinc.com for more information on FSR's extensive line of Table Box Solutions and Cable Retractors.



T3-DV2S with 2 Button 2 LED model shown.



CT6-BLK with four TBRT cable retractors and T6 large bracket (ordered separately)



TB-IPS populated with IPS plates (ordered separately)

FSR Inc.

244 Bergen Boulevard, Woodland Park, NJ 07424

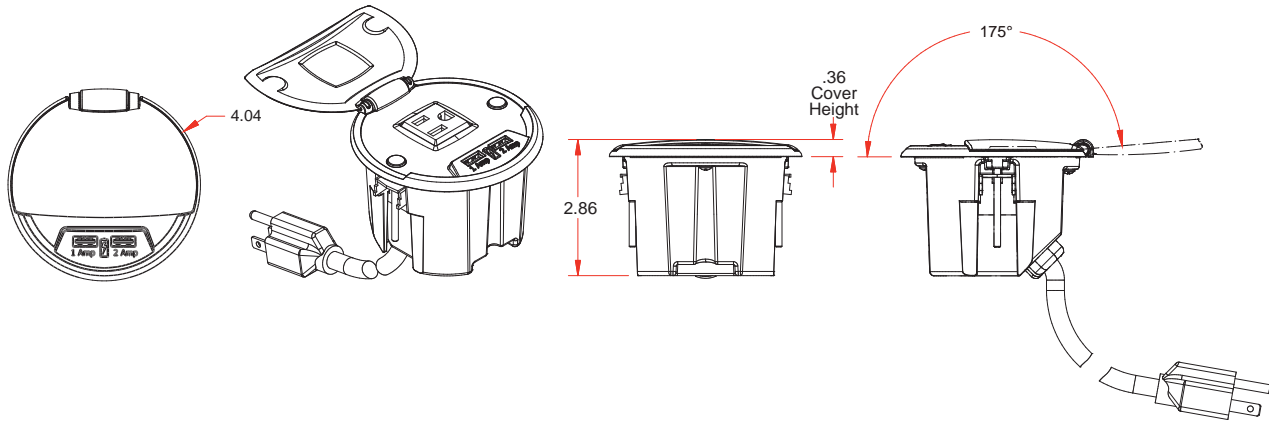
Phone: 973.785.4347 · Fax: 973.785.4207

Web: www.fsrinc.com · E-mail: sales@fsrinc.com LIT1580A



Specifications are subject to change without notice.
© 2020 FSR, Inc. All Rights Reserved

DIMENSIONS

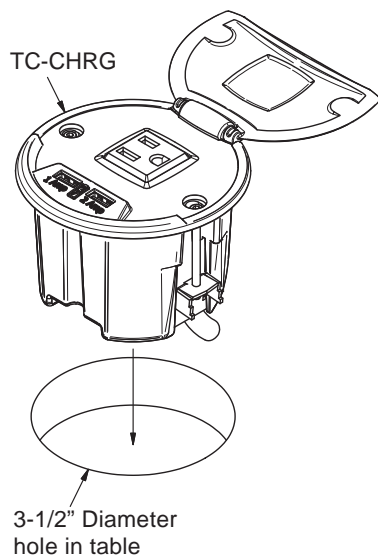


SPECIFICATIONS

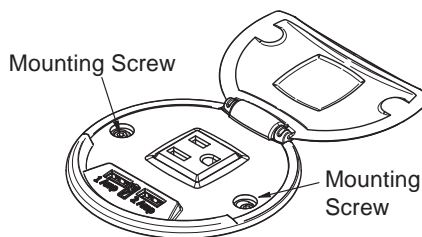
Input	120 VAC 15 Amp 60 Hz (connects to standard 15 Amp circuit)
Output	1 AC 15 amp receptacle
	2 USB charge ports: 5.1 VDC 3.0 Amps total Left port - 5 watt Apple charge rate or charge rate as determined by other portable device requirements Right port - 10 watt Apple charge rate or charge rate as determined by other portable device requirements
Size	4" x 2.9" deep not including line cord
Mounting	Fits in a standard 3.5" hole
Finishes	Two colors available black and aluminum
Line cords available	Two lengths available, 6 and 9 feet
Agency	UL listed for US and Canada
Origin	Made in USA

INSTALLATION

1. Determine location of TC-CHRG assembly and drill 3-1/2" hole in table. Insert assembly in hole and orient as required.



2. Secure TC-CHRG assembly to table by tightening mounting screws. Alternately tighten left and right screws to maintain centering of assembly in table.



3. Insert bumpers as shown over mounting screws and make electrical connections as required.

