

T6 Series Table Box



FSR

Metal Products Group

T6-AC3 Table Box



T6 Black

Shown with IPS Plates.

DESCRIPTION

FSR's award winning line of T6 Table Box solutions provide low voltage connectivity options including AC and USB Charging, cable retractors, gravity feed cable pulls, and our IPS and Simple Solutions pass-thru type connectors. The T6 Table Box is 100% configurable for all your high and low voltage needs.

This elegant addition to your conference table include multiple plate arrangements and overall plate depth adjustment. The cover can be closed while in use with cables exiting through the milled openings.

Mounting is a snap! The mounting is always a 6" diameter round hole.

The T6 can be ordered in a variety of configurations. Use the chart on the back of this sheet to simplify the ordering process.

APPLICATIONS

- Desks
- Lecterns
- Lab Tables
- Huddle Areas
- Boardroom Tables
- Control Consoles
- Classrooms
- Collaboration Areas

FEATURES

- Cover available in Black
- Mounts in a wide variety of tables with thicknesses ranging from .75" to 2.25".
- Connector plates can be populated to match customer requirements
- Can be reconfigured at any time as requirements change
- Deep interior compartment accommodates longer/larger connector shells.
- Retractor Ready – can accommodate up to 4 of FSR's TBRT Cable Retractors

COLLABORATION SOLUTIONS

This table box can be easily integrated with FSR's line of HuddleVU collaboration systems and furniture solutions. CT6 Table Boxes are available with 2 or 4 Button & LED versions for use with FSR's relay controlled digital video switchers.

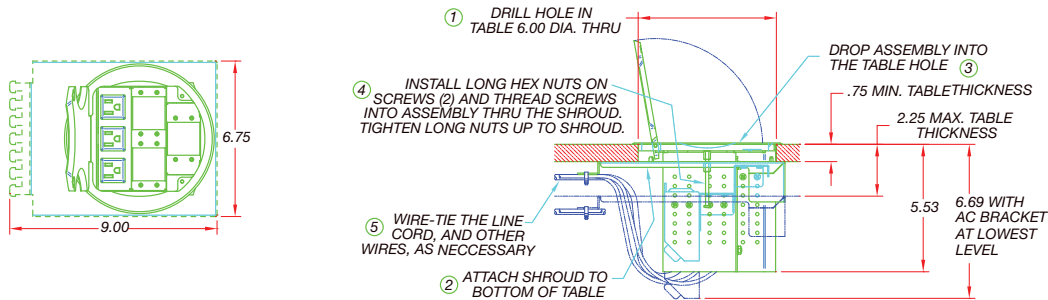
FSR Inc.

244 Bergen Boulevard, Woodland Park, NJ 07424

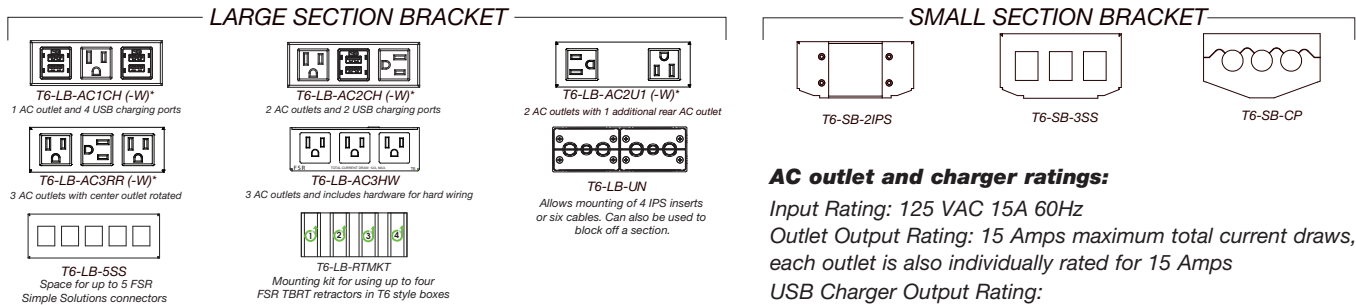
Phone: 973.785.4347 · Fax: 973.785.4207

Web: www.fsrinc.com · E-mail: sales@fsrinc.com LIT1291K

TYPICAL ASSEMBLY



BRACKET ASSEMBLIES



AC outlet and charger ratings:
 Input Rating: 125 VAC 15A 60Hz
 Outlet Output Rating: 15 Amps maximum total current draws, each outlet is also individually rated for 15 Amps
 USB Charger Output Rating:
 T6-LB-AC2CH: 2 x 12 Watt
 T6-LB-AC1CH: 2 x 10 Watt (upper USB ports), 2 x 5 Watt (lower USB ports)

* (-W) indicates models that are available in white. Otherwise, brackets are black.

ORDERING INFORMATION

Configure your T6 Table Box		
Select two Large Section Brackets – Select one Small Section Bracket		
Item #	Part #	Description
T6 Table Box		
17060	T6-BLK	6" Table Box with No Brackets - Black
T6 Large Section Brackets – Choose TWO		
Edison - Standard 3 Prong Edison Plug Mains - Hard Wired Electric Feed		
17910	T6-LB-AC1CH	T6 Large Section Bracket w/1 AC Outlet and 4 Chargers
17956	T6-LB-AC1CH-W	T6 Large Section Bracket w/1 AC Outlet and 4 Chargers-white
17911	T6-LB-AC2CH	T6 Large Section Bracket w/2 AC Outlets and 2 Chargers
17957	T6-LB-AC2CH-W	T6 Large Section Bracket w/2 AC Outlets and 2 Chargers-white
17960	T6-LB-AC2U1	T6 Large Section Bracket w/2 AC outlets with 1 additional AC outlet in rear
17961	T6-LB-AC2U1-W	T6 Large Section Bracket w/2 AC outlets with 1 additional AC outlet in rear-white
17962	T6-LB-AC3RR	T6 Large Section Bracket w/3 outlets with center outlet rotated
17963	T6-LB-AC3RR-W	T6 Large Section Bracket w/3 outlets with center outlet rotated-white
17068	T6-LB-AC3HW	T6 Large Section Bracket w/3 AC Outlets – Includes hardware for hard wiring
17914	T6-LB-UN	T6 Large Section Bracket for mounting of 4 IPS inserts or 6 cables
17070	T6-LB-5SS	T6 Large Section Bracket for mounting of 5 SS Snap In Connectors
17639	T6-LB-RTMKT	T6 Large Section Bracket for mounting of up to four TBRT Retractors (only one per T6)
T6 Small Section Brackets – Choose ONE		
17072	T6-SB-2IPS	T6 Small Section Bracket w/one 2 Space IPS Opening
17073	T6-SB-3SS	T6 Small Section Bracket for 3 Snap In Connectors
17074	T6-SB-CP	T6 Small Section Bracket for Cable Pull

This symbol indicates the device is **RETRACTOR Ready** and accepts the number of retractors shown in the circle.