

TB-CHRG

"TILT 'N SELECT" TABLE BOX



FSR

Metal Products Group

TB-AVAC / TB-CHRG



TB-CHRG

DESCRIPTION

The TB-CHRG serve the needs of a single user at a desk, workstation, huddle area, common area or even multiple locations within a boardroom table. The tilt-up design provides a clean and attractive appearance when the cover is closed, while providing access to the most needed connections when the cover is open. In the open position, the connectors will be at approximately a 35° angle from vertical. This is to accommodate a seated person at the table, with the box being 22" from the edge of the table.

The TB-CHRG has a built in AC Duplex Receptacle with 2 integrated 12W USB Chargers. The UL-Listed 15 Amp, 125 Volt AC duplex receptacle has a 5 Amp charging section with two USB type 2.0 charging ports (5 Volt DC each).

APPLICATIONS

- Office Desks
- Workstation
- Hotel and Hospitality Common Spaces
- Boardrooms
- Classrooms
- Conference Centers
- Court Rooms
- Huddle Areas
- Lab Tables
- Control Consoles

FEATURES

- Can be mounted in a wide variety of tables with thicknesses ranging from .75" to 2.25"
- Connector plates can be populated to match the specific application and customer needs
- Both models are ETL listed for furniture installation
- 9' power cord with a standard 3 prong Edison plug
- Can be reconfigured at any time
- Available in Black Anodized finish

OTHER MODELS

The TB-IPS is a tilt top style box that can be easily custom configured for any job. The unit has openings for up to (8) single IPS insert plates or a variety of multiple plate arrangements.

The new TB-BOSE and TB-BOSE-IPS table boxes are tilt top style table boxes designed specifically to contain a Bose™ FreeSpace 3 Surface-Mount Satellite Cube Speaker. (Speaker provided by customer.)



FSR Inc.

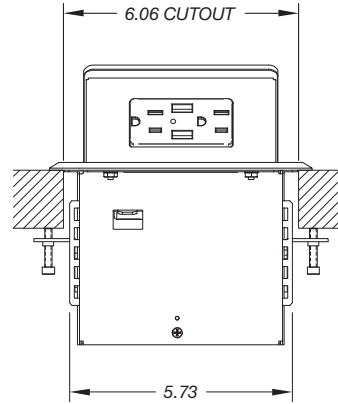
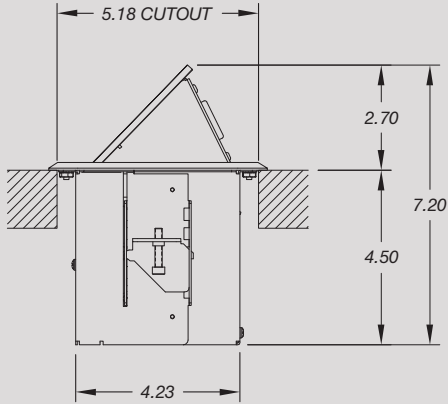
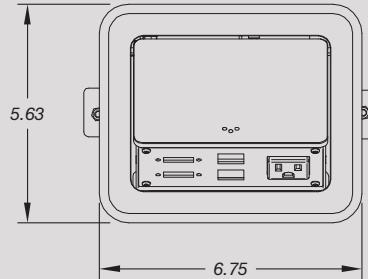
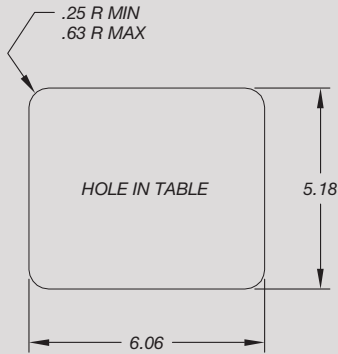
244 Bergen Boulevard, Woodland Park, NJ 07424

Phone: 973.785.4347 · Fax: 973.785.4207

Web: www.fsrinc.com · E-mail: sales@fsrinc.com LIT1560D

OVERALL DIMENSIONS

SHADED AREA INDICATES DIMENSIONS COMMON TO BOTH MODELS



TB-CHRG

Specifications are subject to change without notice.



244 Bergen Boulevard, Woodland Park, NJ 07424
Phone: 973.785.4347 · Fax: 973.785.4207
Web: www.fsrinc.com · E-mail: sales@fsrinc.com