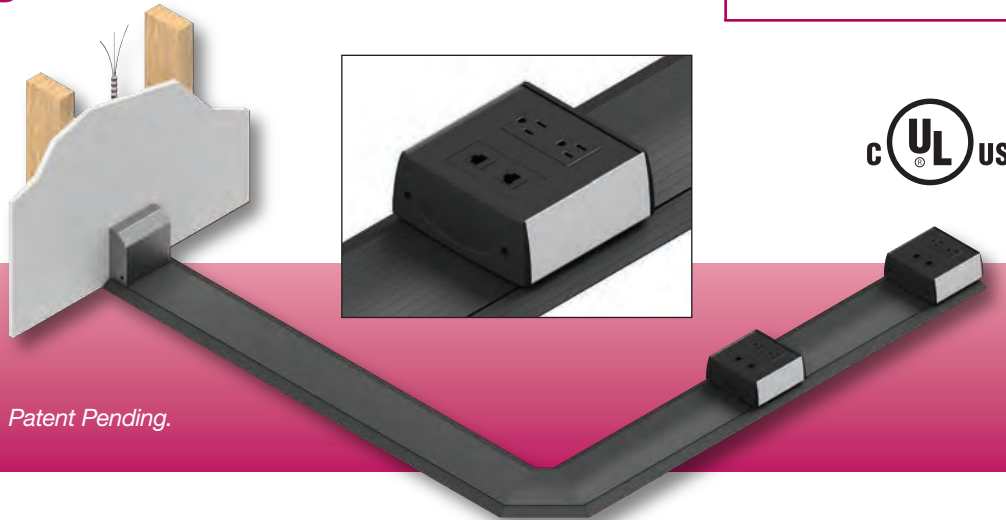


# Smart-Way On-Floor Raceway System

# FSR

Power Products Group



Patent Pending.

## DESCRIPTION

The Smart-Way On-Floor Raceway System is the intelligent choice for wire management. It installs on top of any flooring and provides a quick, easy, affordable and attractive installation.

The Smart-Way On-Floor Raceway gets cables where they're needed. The raceway is intended for offices, conference rooms, collaborative work environments, classrooms or anywhere wire management is desired. The raceway compartments provide ample space for power, communications and A/V connectivity with the capacity to hold (14) 12 AWG (.130" diameter) power conductors, and (9) CAT 5E (.215" diameter), or (5) CAT 6A (.250" diameter) data cables.

The Smart-Way is only 0.6" high, ADA compliant, available in slate gray or aluminum finishes and is sold in 6' sections. Its design includes centering V-grooves in the track to locate pilot/clearance holes for securing fasteners. An optional Elbow Kit is available to make 45 or 90-degree angles that will not compromise the minimum bend radius of the cables.

It's the most cost-effective and easiest way to get your power, data and AV across the room to where you really need it.

## FEATURES

- 12 unique parts to configure an entire system
- Installs on top of any flooring for a quick installation
- Ultra-low profile
- ADA compliant
- Competitive pricing
- Raceway compartments provide ample space for power, Communications, and A/V requirements
- The Smart-Way System has several device box options to choose from when deciding on your connectivity needs
- Sold in 6' sections
- Available in slate gray or aluminum finishes
- Optional elbow kit for making 45 or 90-degree angle turns which will not compromise the minimal bend radius of wire
- Perfect for offices, conference rooms, collaborative work environments, classroom and anywhere wire management is needed with access to power and data

## FSR Inc.

244 Bergen Boulevard, Woodland Park, NJ 07424  
Phone: 973.785.4347 · Fax: 973.785.4207  
Web: [www.fsrinc.com](http://www.fsrinc.com) · E-mail: [sales@fsrinc.com](mailto:sales@fsrinc.com)

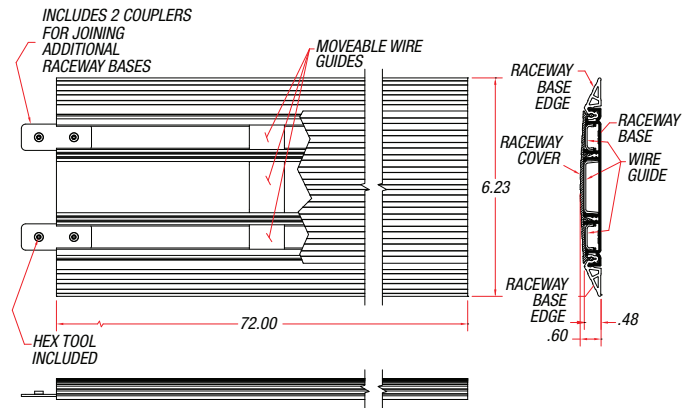
LIT1749

# Smart-Way On-Floor Raceway

18203 SW-T72-ALM

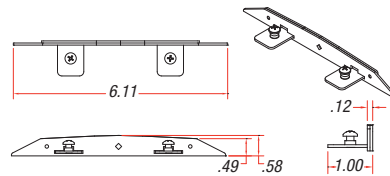
18204 SW-T72-SLT

Each kit includes a 6' base and cover, two couplers, moveable wire guides, raceway base edges, and a hex tool for installation.



18206 SW-END-SLT

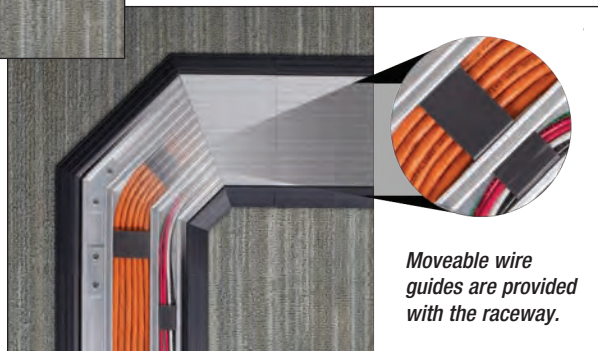
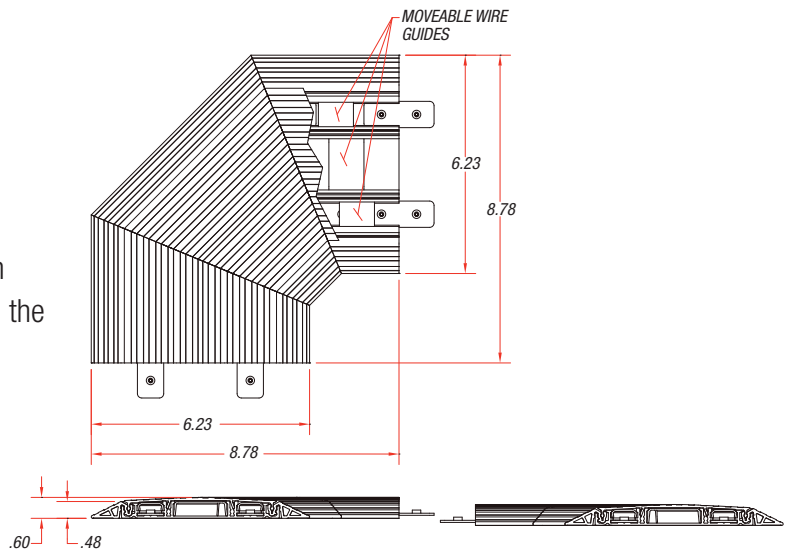
One end stop is required at the end of the raceway.



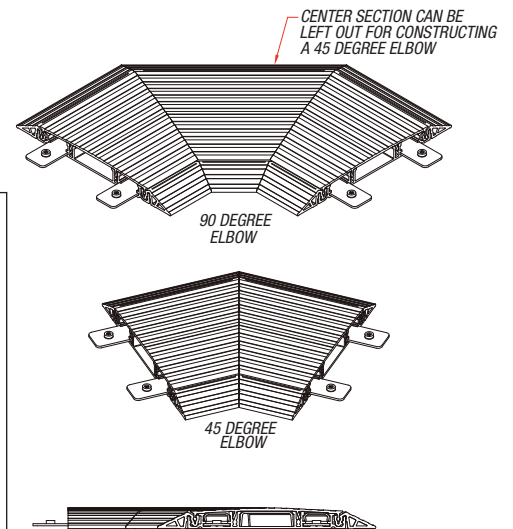
18207 SW-L90-ALM

18208 SW-L90-SLT

Smart-Way 90 degree corner is available in aluminum and slate. Removing the center section will create a 45 degree turn. Elbow kit transitions the cable seamlessly around the corner without compromising the minimal bend radius.



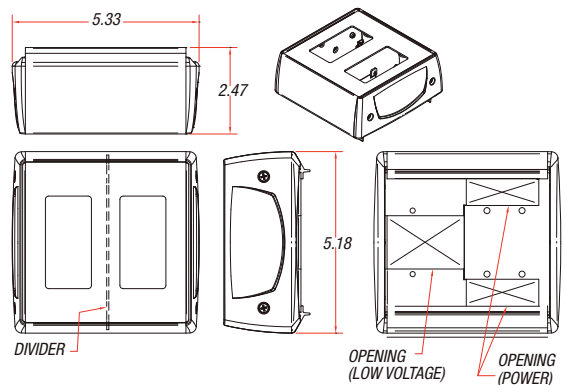
Moveable wire guides are provided with the raceway.



## Smart-Way Device Boxes

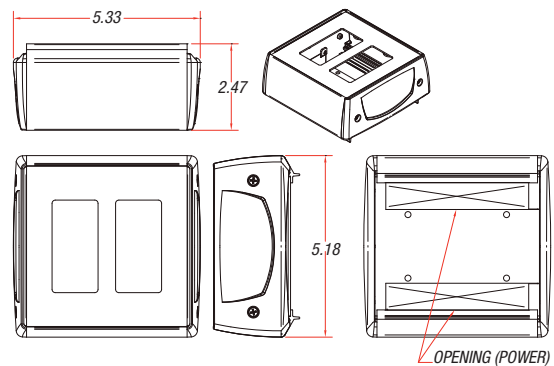
### 18211 SW-DB-1P1D

2 gang device box with 1 power and 1 low voltage Decora opening, the divider is not removable.



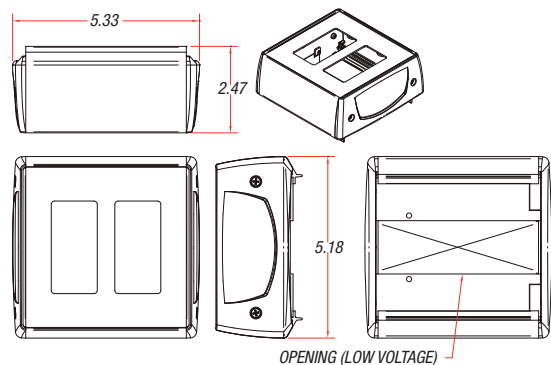
### 18212 SW-DB-2P

2 gang device box with 2 power Decora openings (NEMA spacing). Accesses the 2 outer channels only.



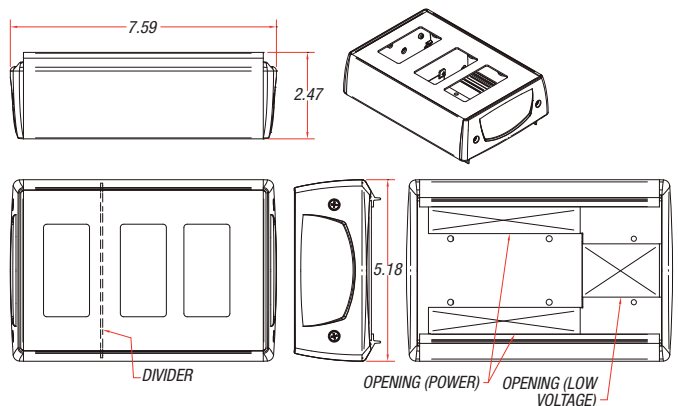
### 18213 SW-DB-2D

2 gang device box with 2 low voltage Decora openings (NEMA spacing). Accesses the inner channel only.



### 18214 SW-DB-2P1D

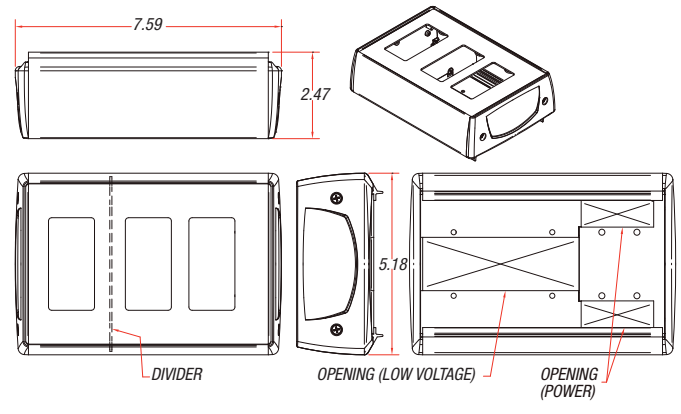
3 gang device box with 2 power and 1 low voltage Decora opening. The two power openings have NEMA spacing. The compartments access the appropriate track channels, can't be interchanged, and the divider is not removable.



## Smart-Way Device Boxes

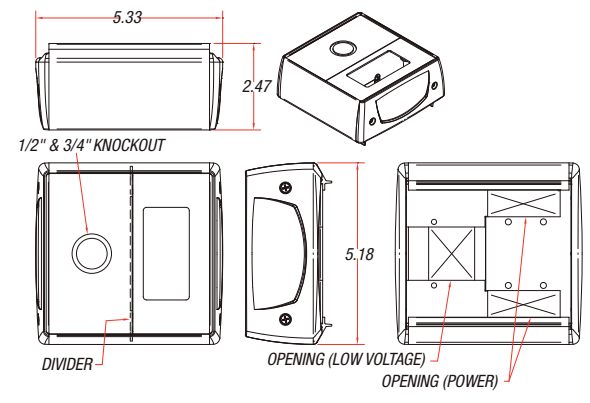
### 18215 SW-DB-1P2D

3 gang device box with 1 power and 2 low voltage Decora openings. The two low voltage openings have NEMA spacing. The compartments access the appropriate track channels, can't be interchanged, and the divider is not removable.



### 18216 SW-DB-1HWP1D

2 gang device box with 1 gang power- 1, 1/2" & 3/4" KO - and 1 gang low voltage Decora opening.

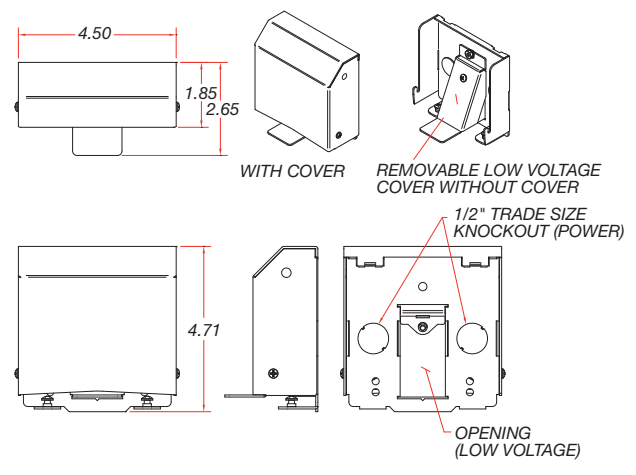


## Smart-Way Wall Feed Boxes

### 18217 SW-WF-LP-ALM

### 18219 SW-WF-LP-SLT

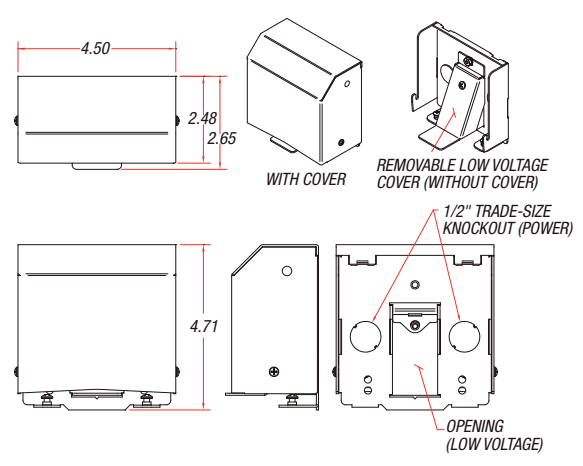
Wall feed for 1 or 2 circuits of power and low voltage feed through.



### 18218 SW-WF-HP-ALM

### 18220 SW-WF-HP-SLT

Wall feed for 2 or more power circuits and low voltage feed through.



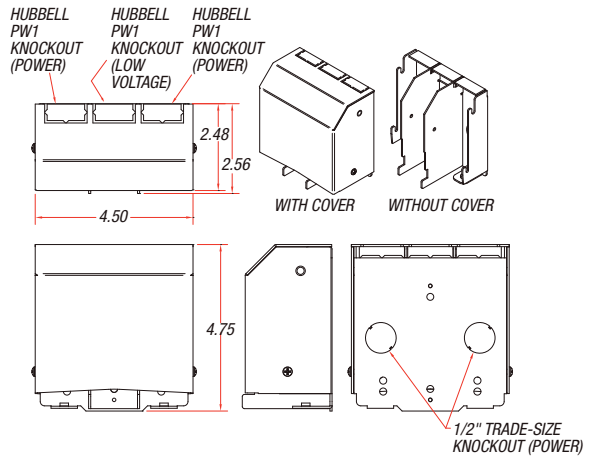
## Smart-Way Wall Feed Kit

18221 SW-WF-RCWY-ALM

18222 SW-WF-RCWY-SLT

Kits contains:

- 1 Smart-Way Wall Feed Box
- 1 Hubbell 1G Low Profile Box (PW1LPB)
- 1 Hubbell 1G Box Cover (KP14)
- 1 Hubbell Flat Elbow (PW1FE)
- 2 Hubbell 30" Wall Trak (PW1BC)



Smart-Way Raceway with wall feed kit.



Smart-Way Raceway wall feed kit, closeup.



Smart-Way Raceway with wall feed kit, power only.



Smart-Way Raceway with wall feed kit, power and data.



**INSTALLS ON TOP OF ANY FLOORING**



**Collaboration Spaces**



**Classrooms**



**Office Work Spaces**



**Training Centers**



**Conference Rooms**



Specifications are subject to change without notice.

**FSR Inc.**

244 Bergen Boulevard, Woodland Park, NJ 07424  
Phone: 973.785.4347 · Fax: 973.785.4207  
Web: [www.fsrinc.com](http://www.fsrinc.com) · E-mail: [sales@fsrinc.com](mailto:sales@fsrinc.com)