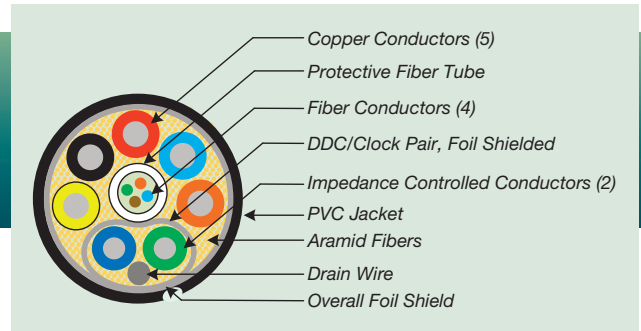


HDMI 2.0 Digital Ribbon Cables



DESCRIPTION

FSR's Next Generation Digital Ribbon Cables utilize a proprietary technology to allow high speed, high definition HDMI signal transmission over distances of up to 328 ft. The cable is fitted with a discreet black jacket that allows the cable to blend in after installation. The hybrid fiber/copper cables deliver a speed of 18 Gb/sec video bandwidth. They can easily handle up to 4k 60Hz 4:4:4 HDR uncompressed HDMI video and are ARC compatible. The cables come pre-terminated in convenient lengths. These advanced technology cables use four glass fibers, seven copper wires and supply the necessary power to the embedded circuitry at both ends of the cable. They meet the HDMI 2.0 / HDCP 2.2 testing standards. The connector shells are labeled "source" and "display" to aid in proper connections.

FEATURES

- HDMI 2.0 with 4k@60Hz YUV 4:4:4 and HDCP 2.2 compliance.
- Overcomes distance limitations of conventional HDMI cables
- Competitive in cost to older cable types
- Signal integrity is uncompromised
- Multi format compatibility
- No external power or special tooling required
- Cable and connectors easily fit within a 1" conduit
- Plenum Rated - Type CMP/FT6
- UL Listed
- Supports DDC for HDCP and EDID
- Supports PCM, Dolby, DTS-HD and True HD audio
- ARC compatible

ORDERING INFORMATION

Item #	Item Name	Length Meters	Length Feet
18146	DR-H2.0-10M BLK AOC CBL	10	33
18147	DR-H2.0-15M BLK AOC CBL	15	50
18148	DR-H2.0-23M BLK AOC CBL	23	75
18149	DR-H2.0-30M BLK AOC CBL	30	100
18150	DR-H2.0-50M BLK AOC CBL	50	165
18151	DR-H2.0-70M BLK AOC CBL (MTO)	70	230
18152	DR-H2.0-100M BLK AOC CBL (MTO)	100	328



FSR Inc.



244 Bergen Boulevard, Woodland Park, NJ 07424
 Phone: 973.785.4347 · Fax: 973.785.4207
 Order Desk: 1-800-332-FSR1
 Web: www.fsrinc.com · E-mail: sales@fsrinc.com

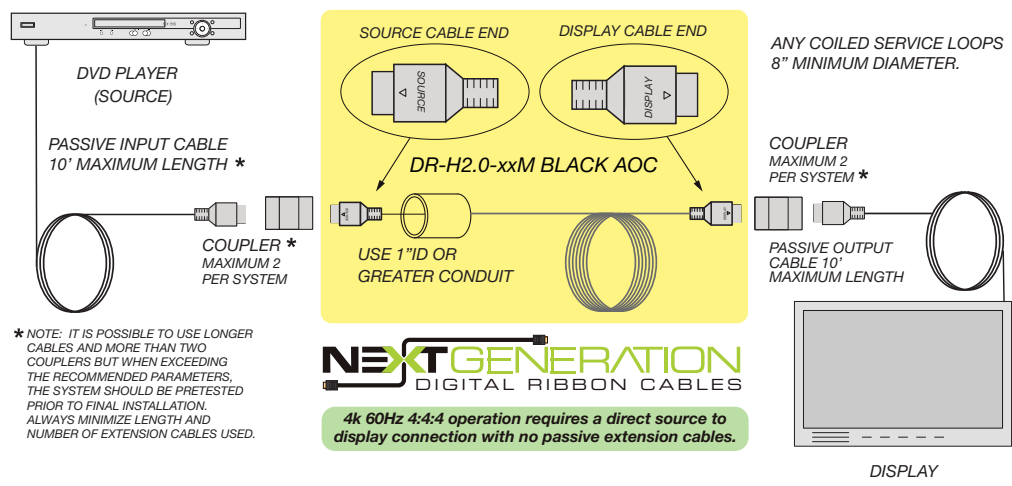
Specifications are subject to change without notice.

SPECIFICATIONS

Performance Characteristics	
Video Connectors	Male HDMI
Maximum Length	328' (100 meters)
Cable Dimensions	0.2" x 0.11" (5 mm x 2.8 mm)
UL Listing	CMP/FT6
Compliance	RoHS, UL444, CSA C22.2 No. 214, UL 746A
HDMI Cable Type	High-Speed HDMI
Total Power Consumption	0.25 Watts
Endurance at Bend Radius	Over 10k cycles at 2" (50 mm) Radius
Minimum Bend Radius	0.5" (13 mm)
Maximum Tensile Load	50 lbs.
Environmental Performance	
Operating Temperature Range	+32° F to +122° F (0 ° to +50°C)
Maximum Operating Humidity	85%
Storage Temperature Range	-22° to +122° F (-30° to +50°C)
Product Specifications	
<ul style="list-style-type: none"> Up to 4k 60Hz 4:4:4 HDR uncompressed HDMI video 3D Deep Color 18 Gb/sec video bandwidth 	<ul style="list-style-type: none"> Supports DDC for HDCP and EDID HDMI-CEC ARC compatible Supports PCM, Dolby, DTS-HD and True HD audio

****4k 60Hz 4:4:4 performance requires a direct connection from source to display.**

APPLICATIONS

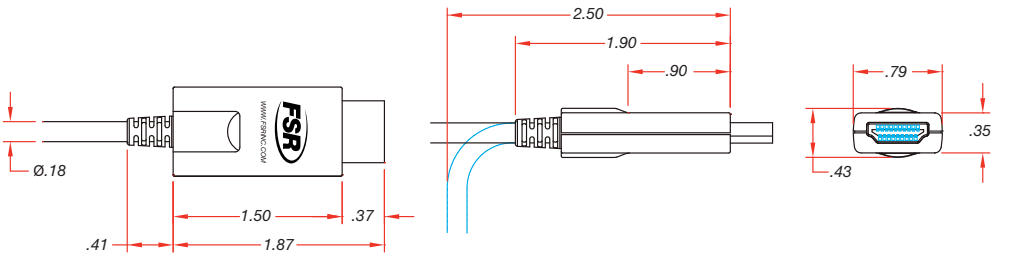


IMPORTANT:
Do not use any pulling method that will result in a localized twisting of the cable or damage will result and the warranty will be voided.

The DR-SOCK is perfect protection for pulling pre-connectorized cable through conduit, and can be used over and over.



DIMENSIONS



FSR Inc.
 244 Bergen Boulevard
 Woodland Park, NJ 07424
 Phone: 973.785.4347
 Fax: 973.785.4207
 Order Desk: 1-800-332-FSR1
 Web: www.fsrinc.com
 E-mail: sales@fsrinc.com