

## Symphony Clamp-On and Under Table Boxes



### DESCRIPTION

Symphony Linx simplifies your power and data needs on and under a single work surface area. The system provides ease of accessibility combined with an attractive design, to power the devices we use at the places where we work and learn. Symphony Linx includes a Main unit plus one satellite unit. The system can also be purchased with an optional third satellite unit to accommodate areas such as workbench spaces.

The Main unit is an under-table mounted box with four AC outlets and includes an "SS" insert kit with a blank plate, single keystone and two keystone plate that can be populated with keystone AV / network connection ports. The AC outlets on the Main unit are used to power stationary equipment (PC, Monitors etc.) The Main unit is typically mounted under the table at the back or middle of the workstation and can be ordered with either a 6' or 9' AC power cord. The Main unit powers the Satellite unit(s) through factory hard-wired interconnecting AC cord(s) that are ordered in lengths appropriate for your table size.

The Satellite units provide AC power, optional network and USB Charging for the users equipment (Laptops, Mobile devices, etc.) Select up to two Satellite units with a choice of interconnecting AC cord lengths and various connector plate choices including dual USB charging ports. Satellite units are offered in either clamp-on or under table mounting styles.

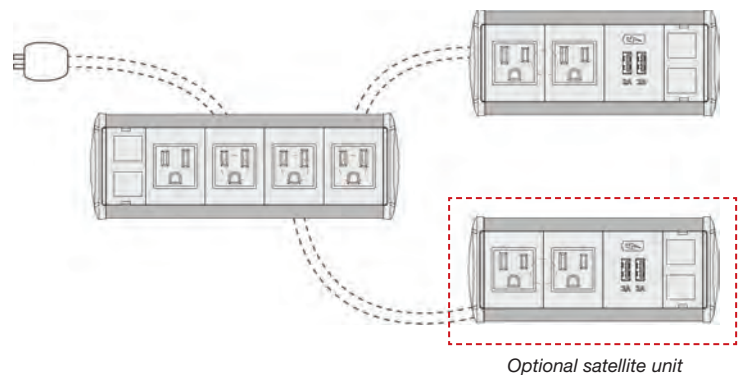
Custom orders available on request. (Maximum: two Satellite units, eight AC outlets and two dual charger inserts per system (Consult factory). System color is available in black or white. (See ordering table.)

Designed with reconfiguration in mind, Symphony Linx helps make any workspace a technology-rich environment for your team.

### FEATURES

- No hardware visible to user
- System available in black or white
- Single circuit AC power to Main unit via a 6' or 9' power cord
- Designed for up to eight total outlets in the system
- Up to two Satellite units powered from the Main unit
- 2' to 6' AC Interconnect cord length between Main and Satellite Unit(s)
- Choice of clamp-on or under table mounting options
- Up to two charger inserts maximum per unit in the system
- UL Listed

### AC INTERCONNECT SYSTEM

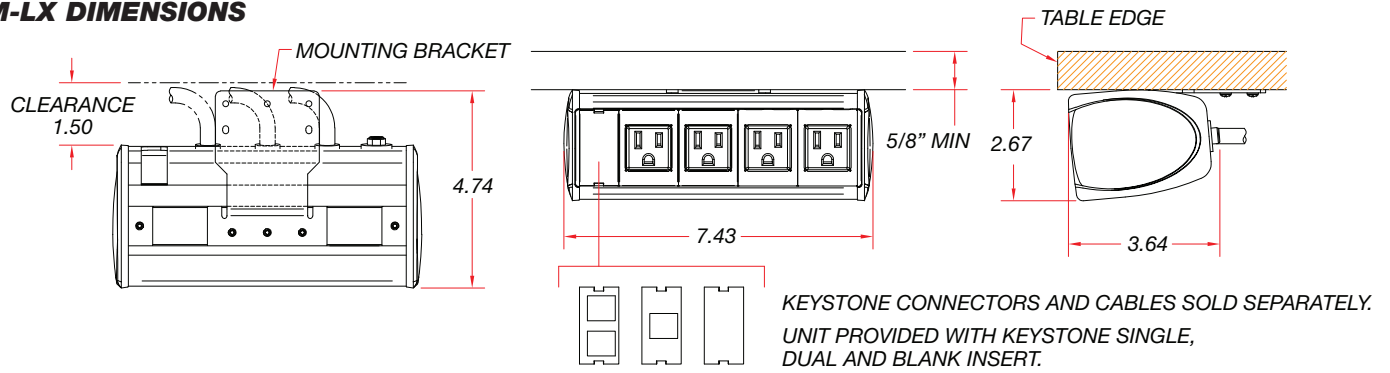


### FSR Inc.

244 Bergen Boulevard, Woodland Park, NJ 07424  
 Phone: 973.785.4347 · Fax: 973.785.4207  
 Web: www.fsrinc.com · E-mail: sales@fsrinc.com  
 Order Desk: 1-800-332-FSR1

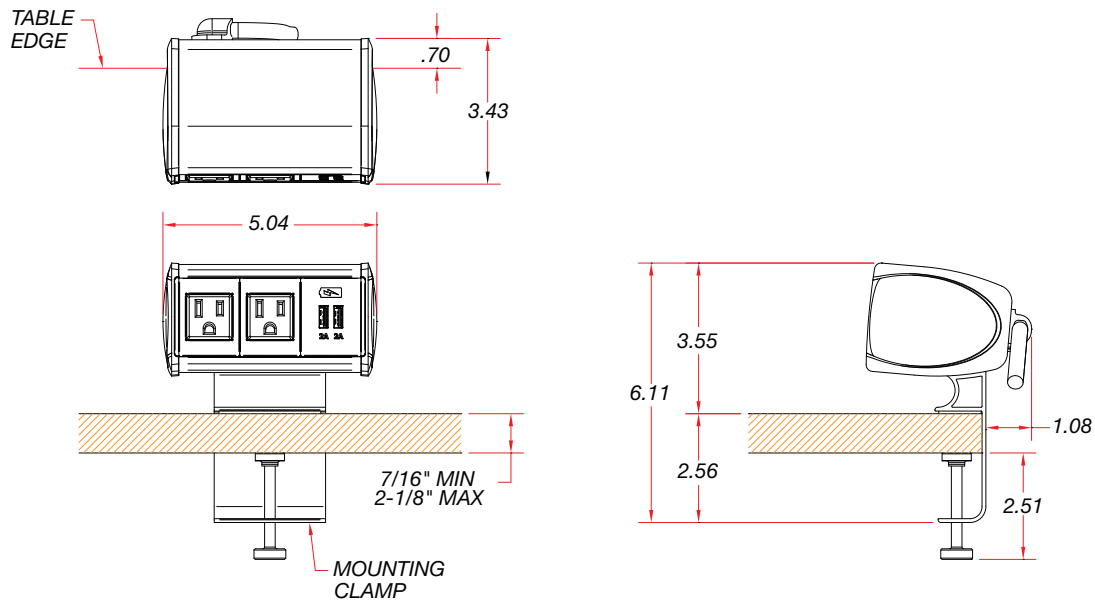
## MAIN UNIT

### SYM-LX DIMENSIONS

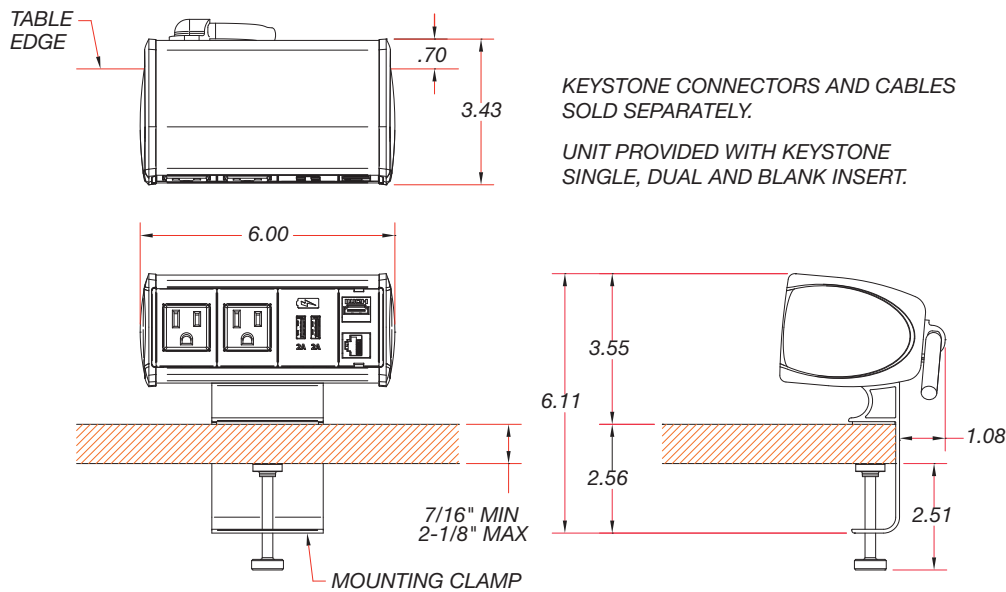


## SATELLITE UNITS

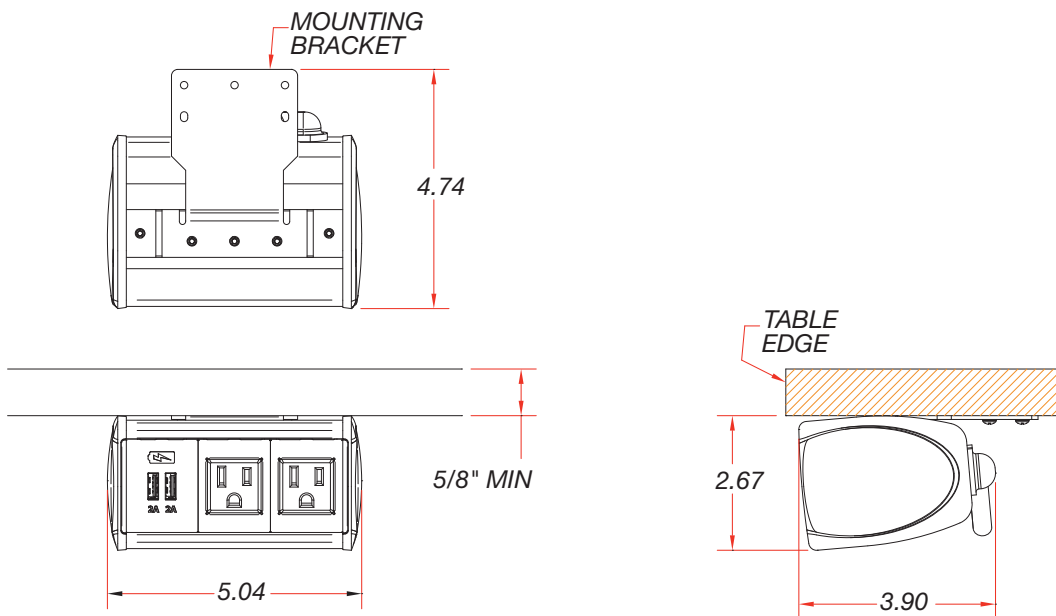
### SYM-CL-2AC-1CA DIMENSIONS



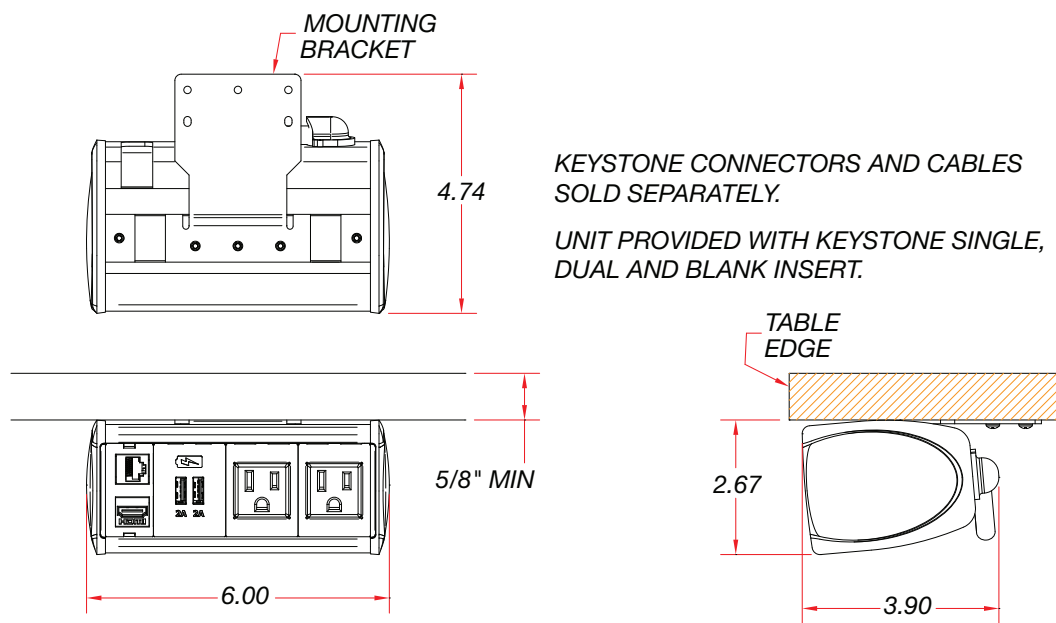
### SYM-CL-2AC-1CA-1SS DIMENSIONS



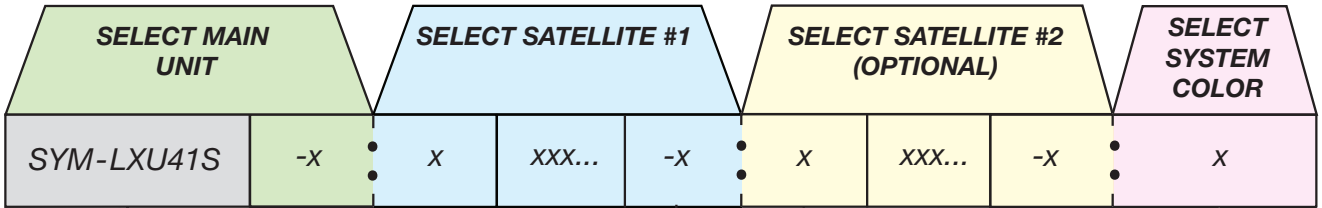
### SYM-UT-2AC-1CA DIMENSIONS



### SYM-UT-2AC-1CA-1SS DIMENSIONS



# ASSEMBLE TO ORDER MODEL NUMBER KEY



**Select AC Power Cord Length:**  
 6' = 6  
 9'6" = 9

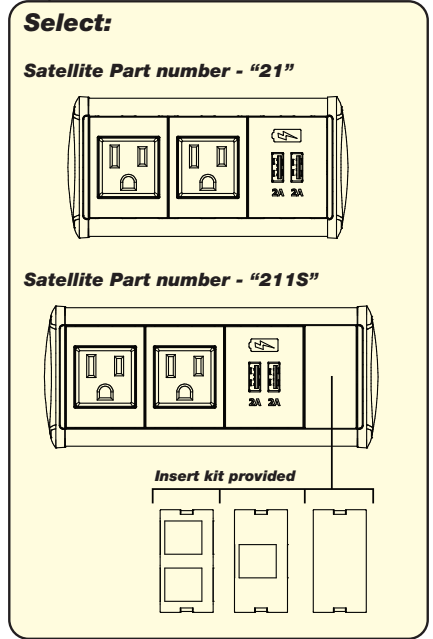
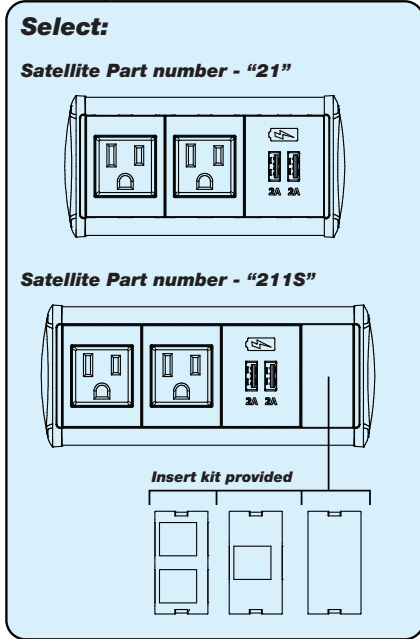
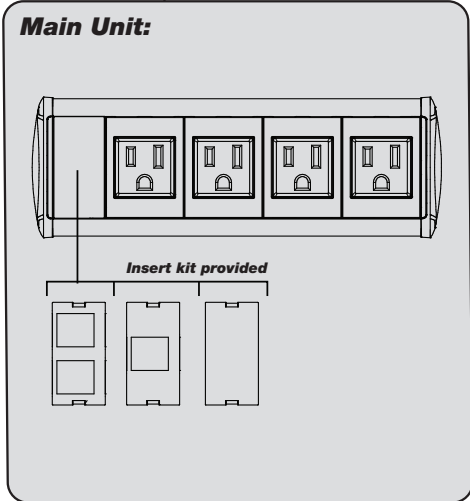
**Select Main to Satellite AC Interconnect Cord Length:**  
 2' to 6' in 1' increments

**Select Satellite to Satellite AC Interconnect Cord Length:**  
 2' to 6' in 1' increments

**Select Mounting Type:**  
 C= Clamp  
 U=Under Table

**Select Mounting Type:**  
 C= Clamp  
 U=Under Table

**Select System Color:**  
 B= Black  
 W= White



**Custom Configurations are available. Consult factory.**

**Example of a Model Number: SYM-LXU41S-6:U211S-3:C21-2:W**

**Main Unit** is an Under table style mount with four AC outlet inserts, one SS Insert Kit and a 6' AC Power cord.

**Satellite #1** is an Under table style mount with two AC outlet inserts, one CA dual charger insert, one SS insert kit and a 3' AC Interconnect cord.

**Satellite #2 (optional)** is an Clamp style mount with two AC outlet inserts, one CA dual charge insert and a 2' AC Interconnect Cord.

**System color** is white.

**Need assistance selecting your model number? Contact inside sales at 1-800-332-3771**

Specifications are subject to change without notice.



244 Bergen Boulevard, Woodland Park, NJ 07424  
 Phone: 973.785.4347 · Fax: 973.785.4207  
 Web: www.fsrinc.com · E-mail: sales@fsrinc.com