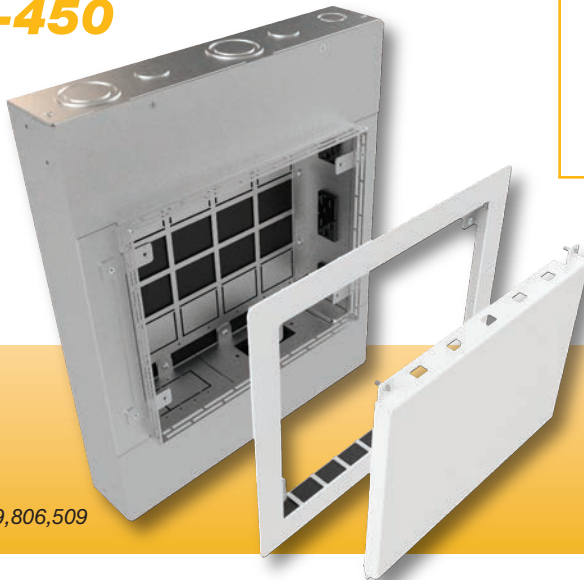


# PWB-FR-450

## Wall Box Family



Patent 9,806,509

# FSR

## Metal Products Group

PWB-FR-450



# FIRE RATED

### DESCRIPTION

FSR is expanding its PWB series wall boxes with the PWB-FR-450. The PWB-FR-450 is a larger capacity box designed to accommodate Digital Devices with outlets and four single gang compartments and is a fire-resistant box.

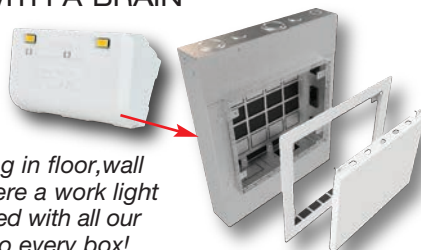
The PWB-FR-450 is the only fire rated wall box in the infrastructure industry. It is designed for walls that require more opening than is allowed by code and this unique wall box eliminates the need for constructing double walls. The PWB-FR-450 complies with code and lets you hang flat screens with plenty of room for all your in-wall connections.

The PWB-FR-450 is designed for applications where you need to mount larger interfaces or equipment behind a display or in any other custom application. Integrated within the cover and its mounting frame is the proper Fire Resistive Intumescent Material, providing up to 60 minutes of protection. When closed, the PWB's cover is flush to the wall allowing a display to be mounted as close as the mounting surface will allow. The cover is ventilated top and bottom to provide convection cooling and there is a cable exit slot to pass cables from the interior of the box to a display. The covers are available in white and black.

Inside the PWB-FR-450 are four pre-wired AC outlets and four single gang mounting brackets. These brackets can be removed to provide space to mount larger devices. Behind each bracket is a 3/4" and a 1" - 1 1/2" concentric knockout which provides ample wiring flexibility and easy installation.

### LITE IT

THE LITE WITH A BRAIN



LITE-it easily provides lighting in floor, wall and ceiling boxes, or anywhere a work light is needed. LITE-it can be used with all our Core Solutions. Add LITE-it to every box!

### FEATURES

- Fire Rated UL Listed 1479
- Rugged 14 Gauge Steel
- Black or white cover
- Simple installation
- Four pre-wired AC outlets
- Removable Internal Brackets to accommodate larger devices
- Can accommodate Crestron DM-RMC-4K-SCALER-C
- Mounting hardware included

### APPLICATIONS

- Hospitals
- Airports
- Hotels
- Conference Halls
- Shopping Malls
- Concert Halls
- Gathering Centers

### ORDERING INFORMATION

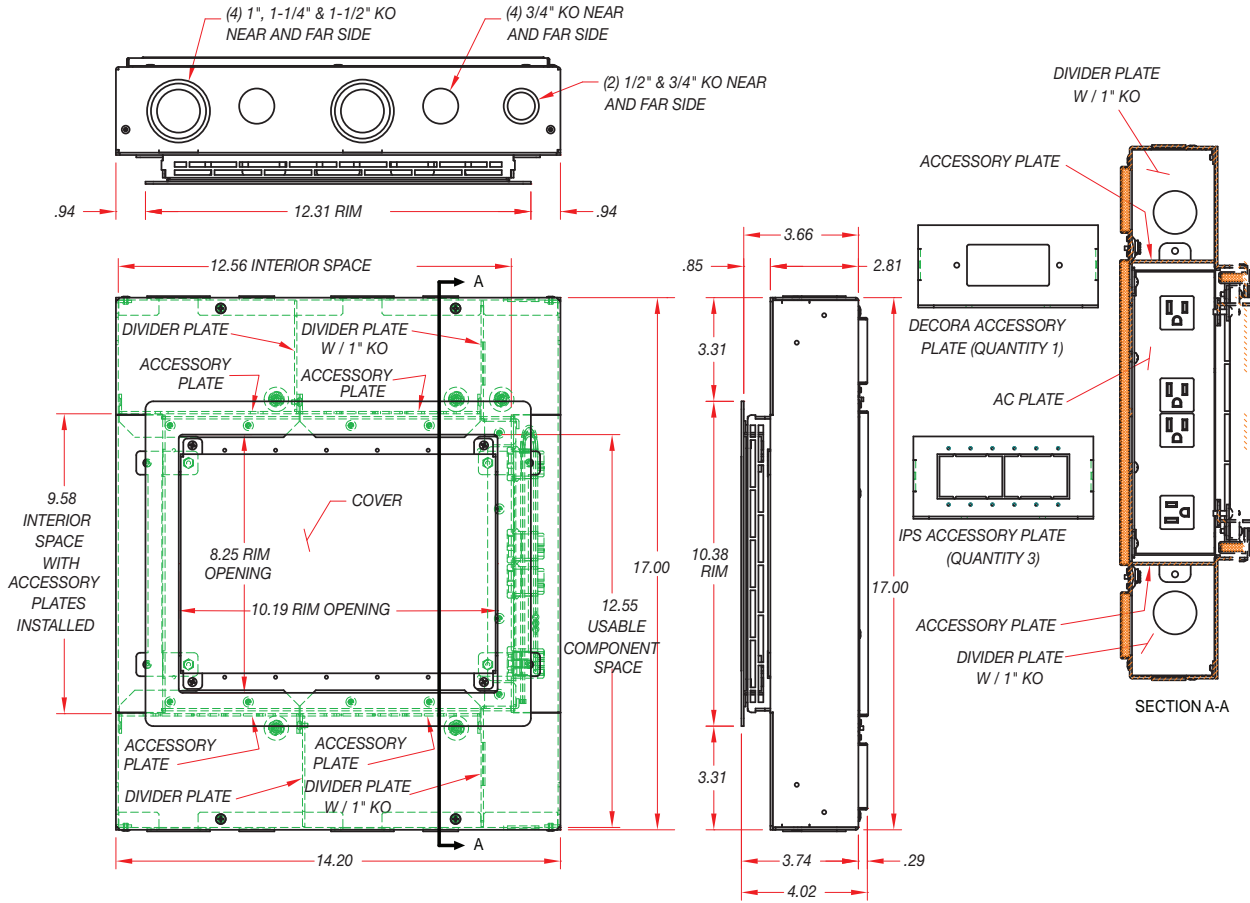
PWB-FR-450-WHT	Large Format Wall box with (4) AC and (3) 1-Gang plates & (1) IPS- (Door Finish-White) FRA version
PWB-FR-450-BLK	Large Format Wall box with (4) AC and (3) 1-Gang plates & (1) IPS- (Door Finish-Black) FR version
PWB-450-MMS (Bracket only)	Optional PWB-450-MMS Bracket accommodates Digital interfaces & devices
PWB-450-DM4K (Bracket only)	Optional PWB-450-DM4SK Bracket accommodates Crestron DM-RMC-4K SCALER-C

### FSR Inc.

244 Bergen Boulevard, Woodland Park, NJ 07424  
Phone: 973.785.4347 · Fax: 973.785.4207  
Web: www.fsrinc.com · E-mail: sales@fsrinc.com  
Order Desk: 1-800-332-FSR1

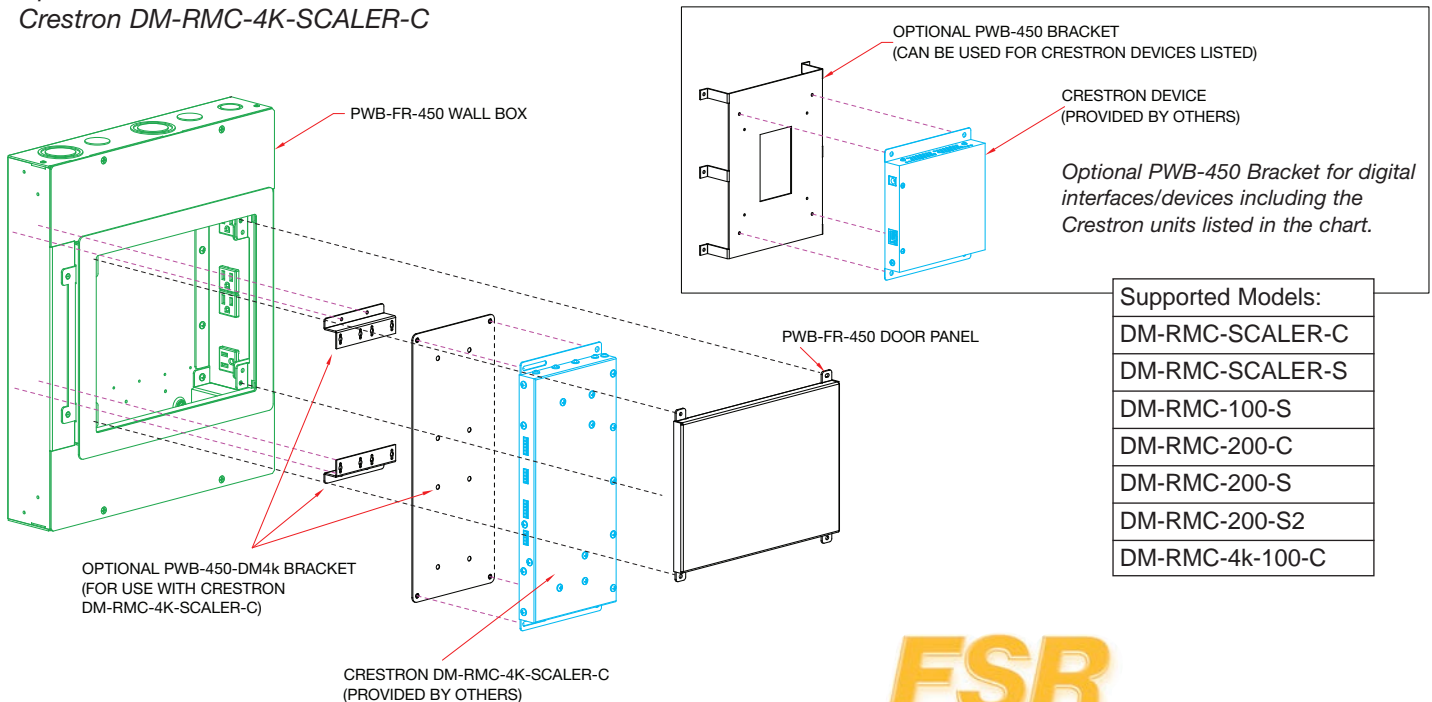
LIT1611D

# PWB-FR-450 DIMENSIONS



# PWB-FR-450 BRACKETS

Optional PWB-450-DM4k Bracket for Crestron DM-RMC-4K-SCALER-C



Specifications are subject to change without notice.



244 Bergen Boulevard, Woodland Park, NJ 07424  
 Phone: 973.785.4347 · Fax: 973.785.4207  
 Web: www.fsrinc.com · E-mail: sales@fsrinc.com