

IT-AS411 Series

4x1 Audio Switching with Voice Lift Mixing

FSR

Audio Products Group

IT-AS411 Series



The IT-AS411 Series Audio Switchers are 4x1 audio switchers that have an extra mic/line level input for a voice lift system or direct microphone input. All models have four switched program audio inputs and an independent mic or line level input that is summed (mixed) with the selected active program audio.

All models have balanced or unbalanced input and output capability. DIP switches are provided to set the voice input level to mic or line, adjust microphone sensitivity, set phantom power and select mono or stereo operation. They also have adjustable volume control buttons and mute for both the program audio and voice inputs. Each individual program audio trim (gain), program audio input select, muting and volume control can be executed locally by front panel pushbuttons, muting by external dry contact closure and additional commands via RS-232 serial control. On board LED's monitor; program, input select, volume level and mute status.

The **IT-A411-25M70** features a 25W mono internal audio amplifier to drive either a 4 to 8 ohms speaker or a 70V line output, preamp out.

The **IT-A411-25S8** offers a 25W stereo output internal audio amplifier to drive a either a 4 to 8 ohms speaker, preamp out.

FEATURES

- Mic / line level voice lift input
- Program audio / voice lift mixing
- Program audio inputs and outputs
- Serial control with serial pass-through
- Terminals for remote muting of voice and/or program audio via dry contact closure
- On board LED's monitor; input select, volume level and muting status
- Current limited remote LED output terminal for program audio and voice (mute) status
- Integrated audio amplifiers on A25-M70 and A25-S8 models
- Program audio trim (gain)
- Preamplifier output

FSR Inc.

244 Bergen Boulevard, Woodland Park, NJ 07424
Phone: 973.785.4347 · Fax: 973.785.4207
Order Desk: 1-800-332-FSR1
Web: www.fsrinc.com · E-mail: sales@fsrinc.com

LIT1350A

IT-AS411-25S8 SPECIFICATIONS AND DRAWINGS



Program Audio Input

Program Inputs: 4, Stereo balanced/unbalanced
 Connector Type: Pluggable screw terminal
 Input sensitivity: -20dBV with 8Ω load
 Input Level: 7.5dBV
 Input Impedance: 20kΩ balanced/unbalanced

“Voice in type” Input

Connector type: Pluggable screw terminal
 ‘Voice in’ type: Microphone/Line
 Microphone sensitivity: -43/-35dB
 Maximum input level: 1dBV
 Low cutoff: 200Hz
 Phantom power: 24V

Preamp Audio Output

Connector type: Pluggable screw terminal
 Number of outputs: 1 Stereo or 2 Mono (L + R program input summed)
 Signal output: Balanced/unbalanced
 Frequency response: 20Hz – 20kHz (+/- 0.5dB)
 THD + N: <0.09% @ 1kHz; 11dBV with 600Ω load (balanced)
 Signal to Noise ratio: >80dB @ 1 kHz; rated output (unweighted)
 Output impedance: 50Ω

Amplifier Audio Output

Connector type: Pluggable screw terminal
 Number of outputs: Stereo or 2 Mono (L + R program input summed)
 Frequency response: 20Hz – 20kHz (+0, -1dB)
 THD + N: <0.7% @ 1kHz; 25Wrms 8Ω
 Signal to Noise ratio: >80dB @ 1kHz; rated output (unweighted)
 Load impedance: 4 to 8Ω
 Power output: 25Wrms @ 4 to 8Ω

Power

24 VDC 2.5A

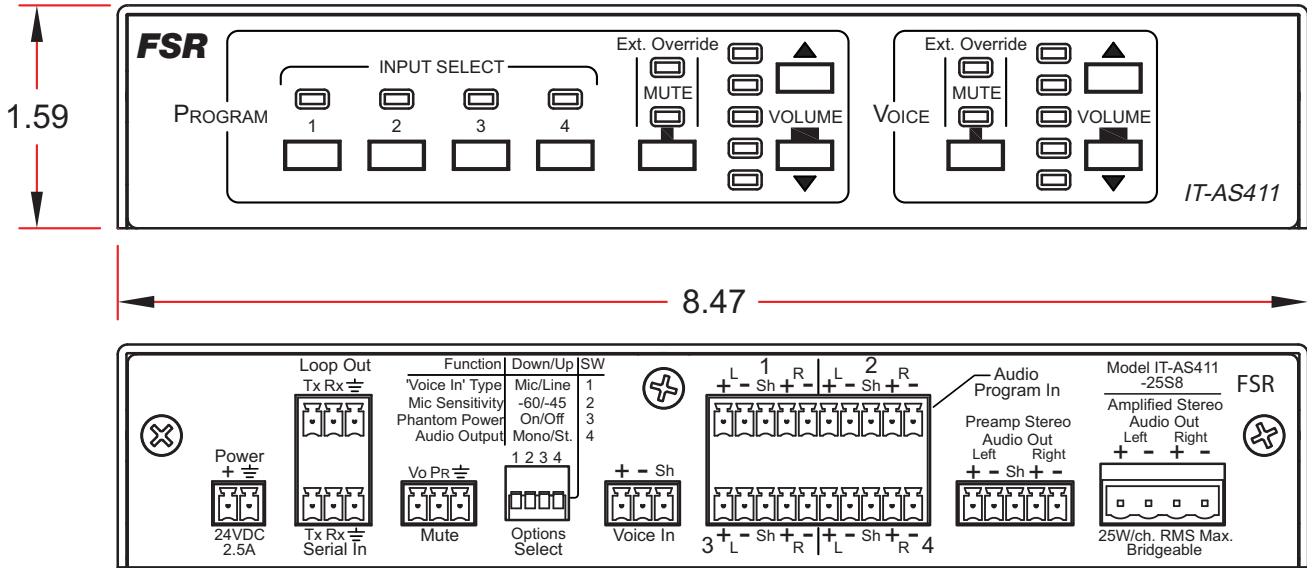
Dimensions:

Half Rack x 1U

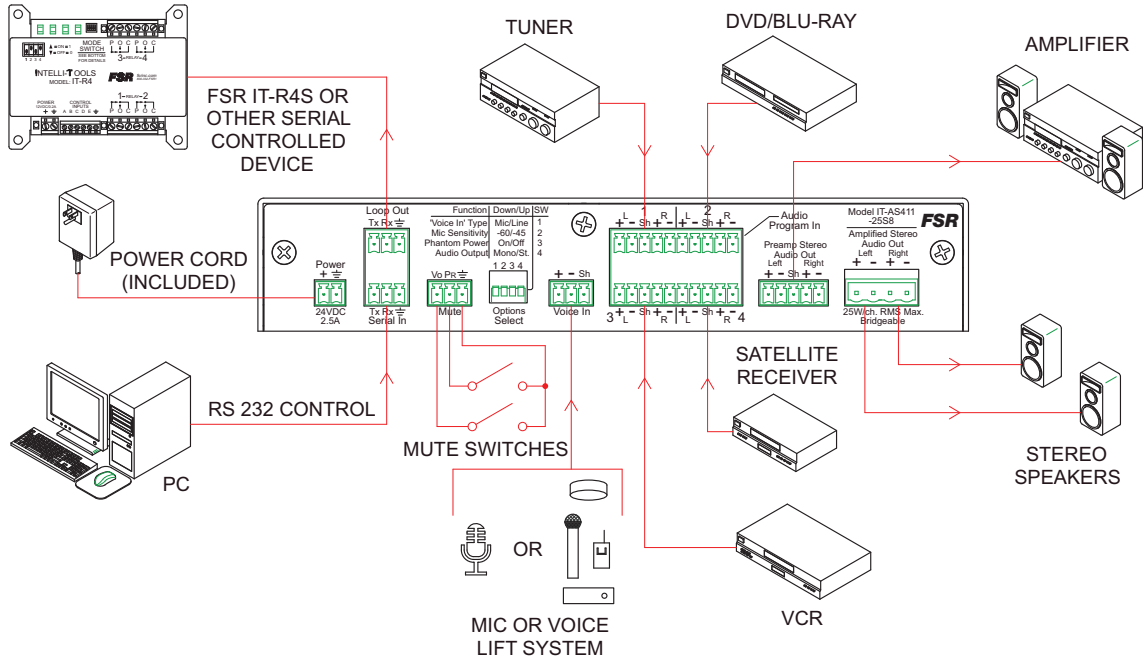
Shipping Weight:

3.5 lbs.

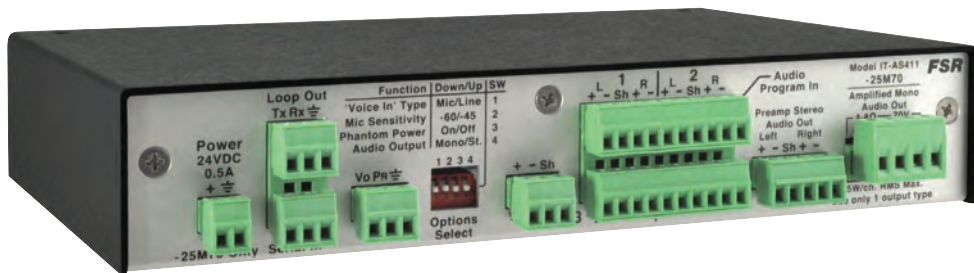
DEPTH IS APPROXIMATELY 6.00"



Application Example



IT-AS411-25-M70 SPECIFICATIONS AND DRAWINGS



Program Audio Input

Connector type: Pluggable screw terminal
 Program Inputs: 4, Stereo balanced/unbalanced
 Input sensitivity: -20dBV with 8Ω or 70V load
 Maximum Input Level: 7.5dBV
 Input impedance: 20kΩ balanced/unbalanced

“Voice in type” Input

Connector type: Pluggable screw terminal
 ‘Voice in type’ mode: Microphone/Line
 Microphone sensitivity: -43/-35dB
 Maximum input level: 1dBV
 Low cutoff: 200Hz
 Phantom power: 24V

Preamp Audio Output

Connector type: Pluggable screw terminal
 Number of outputs: 1 Stereo or 2 Mono (L + R program audio input summed)
 Signal output: Balanced/unbalanced
 Frequency response: 20Hz – 20kHz (+/- 0.05dB)
 THD + N: <0.09% @ 1kHz 11dBV with 600Ω load (balanced)
 Signal to Noise ratio: >80dB @ 1kHz (unweighted)
 Output impedance: 50Ω

Amplifier Audio Output

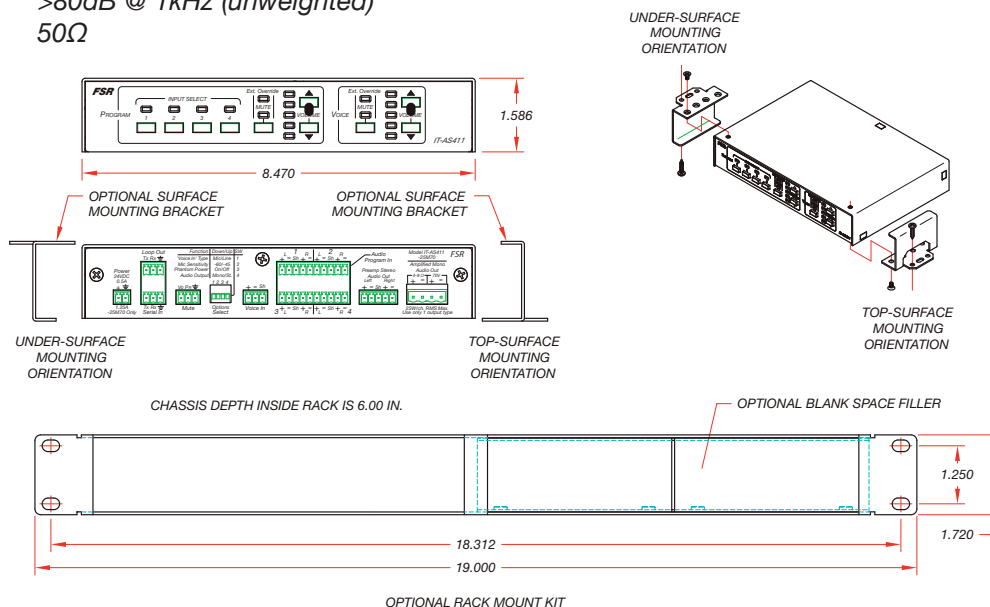
Connector type: Pluggable screw terminal
 Number of outputs: 2 Mono¹
 Frequency response: 100Hz – 20kHz (+0, -1dB)
 -3dB @ 50Hz
 THD + N: <0.8% @ 1kHz 25Wrms 70V
 <0.7% @ 1kHz 25Wrms 8Ω
 Signal to Noise ratio: 80dB @ 1kHz (unweighted)
 Load impedance: 4 to 8Ω or 70V
 Power output: 25Wrms @ 4 to 8Ω
 25Wrms @ 70V

Power 24 VDC 1.25A

Dimensions: Half Rack x 1U

Shipping Weight: 3.5 lbs.

¹ Use only one output type (4-8Ω or 70V) in a particular installation.



FSR Inc.

244 Bergen Boulevard, Woodland Park, NJ 07424
 Phone: 973.785.4347 · Fax: 973.785.4207
 Order Desk: 1-800-332-FSR1
 Web: www.fsrinc.com · E-mail: sales@fsrinc.com



Specifications are subject to change without notice.