

# Relay Cards

# FSR

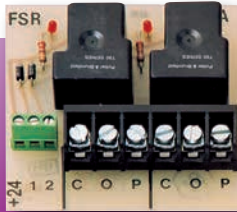
Control Products Group

RELAY CARDS

**LK4**



**AC-2A**



**K-2**



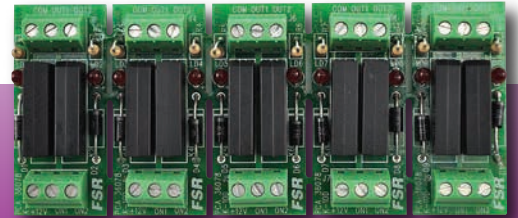
**K-2S**



**K-4**



**K-10D**



## K-10D GENERAL PURPOSE RELAY CARD

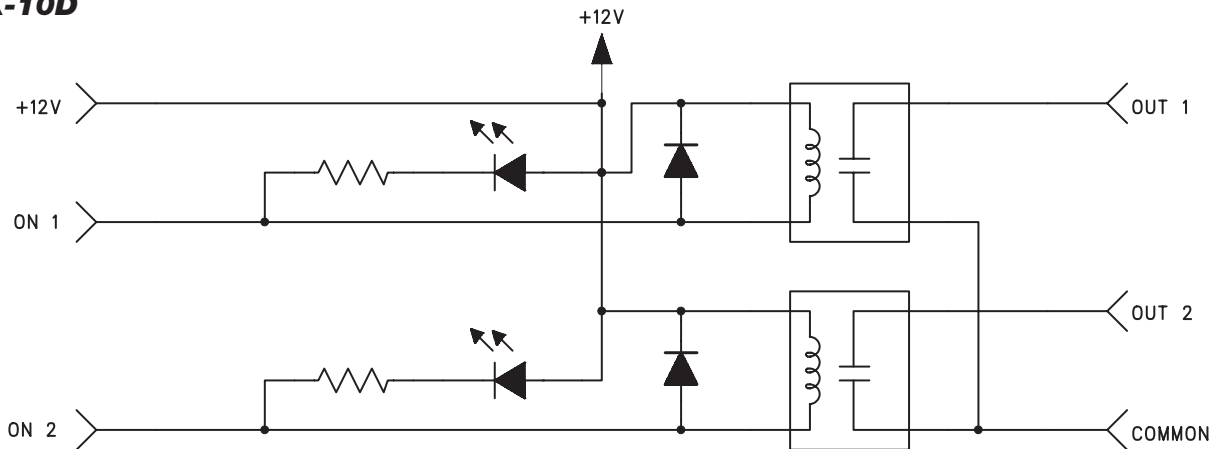
The K-10D relays can be driven from a low level GPIO input and be effectively used where a relay output is required from an open collector output. These handy boards provide a simple method to interface a low level control output from a control system such as the FSR Flex GPIO ports to higher level loads such as a low voltage screen controller. They can also be used to reverse control output logic if necessary. The units use captive screw terminals for fast, easy wiring and include on-board LEDs that monitor relay state. The K-10D "5 pack" includes the "snap away" relay modules and hook-and-loop mounting strips.

### Specifications:

Coil: 12VDC @ 33mA (1 pack)  
 Contacts: 2 NO SPST (1 pack)  
 Contact Rating: Max DC voltage: 48V  
 Max current: 0.5A (10W max)  
 Operate Time: 0.5ms typical  
 Release Time: 0.2ms typical

**Size:** 1.7" W X .75" D X .475" H  
 (The overall length of the "5-pack" is 3.95")

**K-10D**



## FSR Inc.

244 Bergen Boulevard, Woodland Park, NJ 07424

Phone: 973.785.4347 · Fax: 973.785.4207

Web: www.fsrinc.com · E-mail: sales@fsrinc.com

LIT1362B

## LK-4 AUDIO RELAY CARD

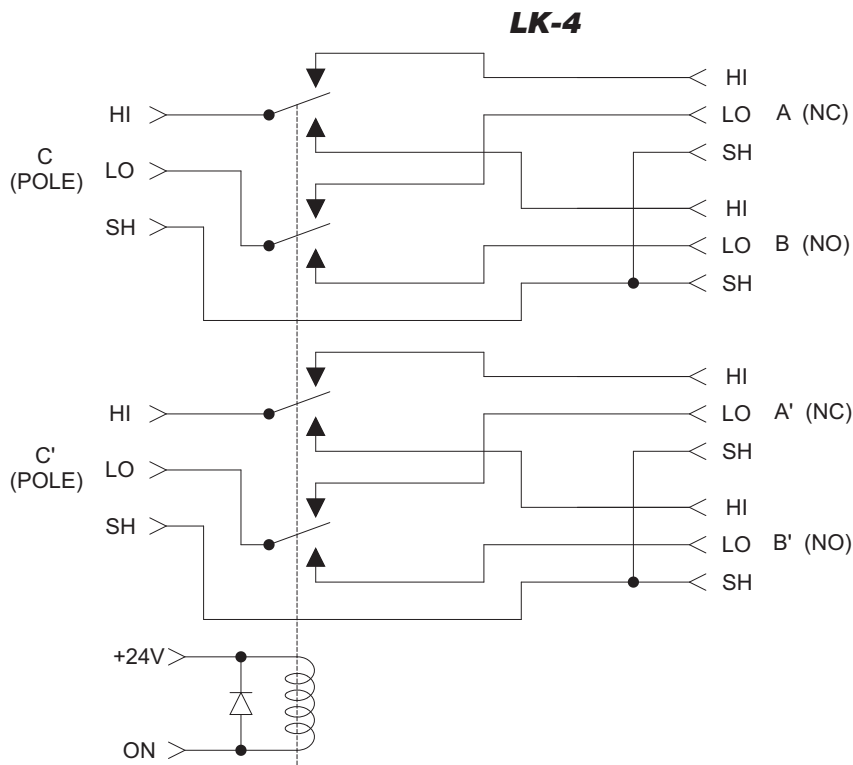
This relay card is designed to accept and switch standard, 2 wire and shield, audio lines (Belden 8451 or equivalent). The card features captive screw terminals for each of the 3-position audio lines. An LED status indicator and protection diodes to suppress transients are also provided.

**LK-4** — Accepts up to four audio lines and switches from A or B to C (see diagram).

### Specifications:

Contacts	LK-4 4 Form C bifurcated
Contact Rating:	Non-inductive load Max 2A @ 30VDC or 0.5A @ 115VAC
Contact Material:	Fine silver gold-clad
Operate Time:	10ms at nominal coil voltage
Release Time:	4ms at nominal coil voltage
Coil:	LK-4 24VDC @ 30mA

**Size:** LK-4 3"W x 3.125"D x 0.75"H



## K-2 / K-4 / K-2S GENERAL PURPOSE RELAY CARDS

These relays provide the installer with a variety of switching functions with a maximum current of 5 amps.

K-2 single relay with DPDT bifurcated contacts. K-4 single relay with 4PDT bifurcated contacts. K-2S with two relays each with SPDT contacts.

K-2, K-4, and K-2S have LED status indication.

### Specifications:

Coil:	K-2	24VDC @ 25mA
	K-4	24VDC @ 40mA
	K-2S	24VDC @ 40mA

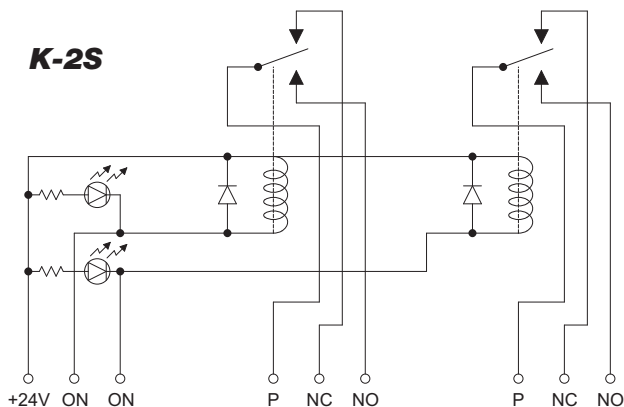
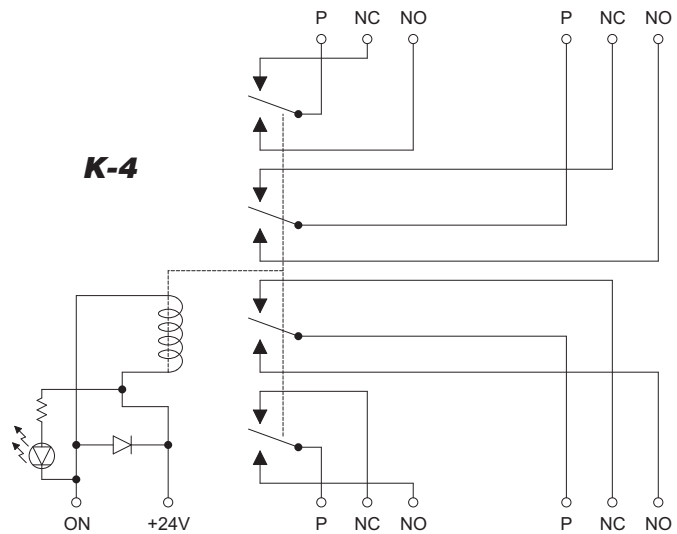
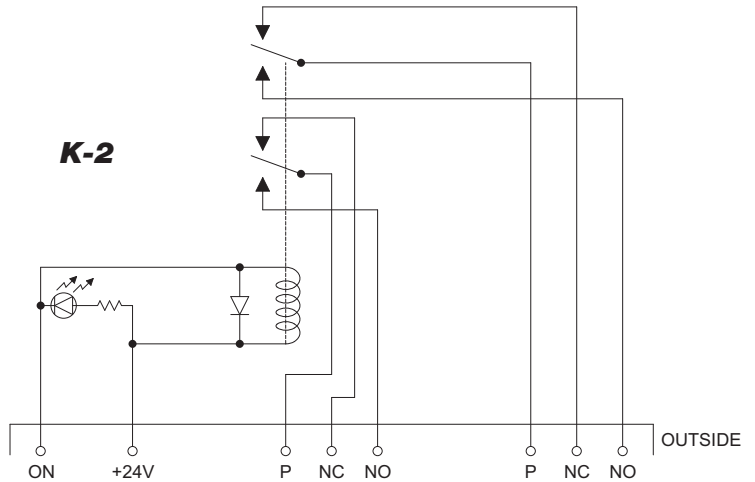
### K2 and K4

Contact Rating:	Max switching power 1250VA Max switching voltage 250VAC Max switching current 5A
Contact Material:	Gold clad silver-nickel alloy
Operate time:	K-2 5ms K-4 10ms
Release time:	5ms

### K-2S

Contact Rating:	Max switching voltage 240VAC Max switching current 5A
Contact Material:	Silver Cadmium Oxide
Characteristics:	Operate time 10ms Release time 5ms

Sizes:	K-2	1.75" W x 3.125" D x 0.75" H
	K-4	2.125" W x 3.125" D x 1" H
	K2S	2.5" W x 3.125" D x 1.125" H

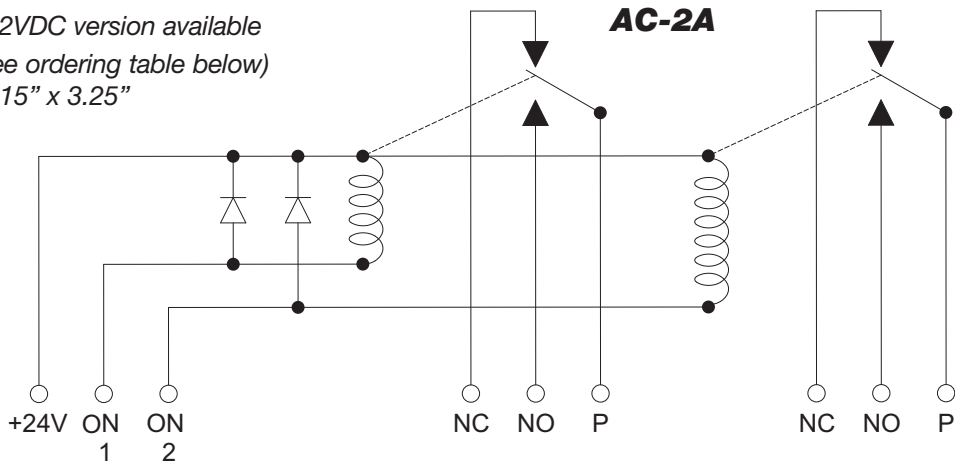


## AC-2A HIGH-CURRENT RELAY CARDS

The AC-2A is a high current relay capable of switching loads up to 15 Amps with two SPDT switching circuits. The AC-2A has an LED status indicator and reverse RMS transient protection diodes.

**Specifications:**

- Contacts: Form C (SPDT)
  - Contact Rating: 15A @ 120VAC  
Inductive or resistive
  - Contact Material: Silver-Cadmium Oxide
  - Operate Time: 15ms @ nominal coil voltage
  - Release Time: 10ms @ nominal coil voltage
  - Coil: 24VDC @ 36mA  
(12VDC version available see ordering table below)
- Size:** 3.15" x 3.25"



## ORDERING INFORMATION

Model	For Control Applications	FSR Power Supply (sold separately)	
K-2	One DPDT relay, 5A contacts	PS-24DC	24DC 500mA
K-2S	Two SPDT relays, 5A contacts	PS-24DC	24DC 500mA
K-4	One 4PDT relay, 5A contacts	PS-24DC	24DC 500mA
K-10D	"Break-Away" 5 sets of 2 relays for UP/DN, Open/Close	IT-PS1	12VDC 1A
Model	For Audio Switching Applications		
LK-4	A-B switch for two balanced stereo audio lines.	PS-24DC	24DC 500mA
Model	For Power Applications		
AC-2A	2 x 120VAC 15A NO NC Relays 24VDC Act.	PS-24DC	24DC 500mA
AC-2A-12V	2 x 120VAC 15A NO NC Relays 12VDC Act.	IT-PS1	12VDC 1A

P= Pole  
 NC=Normally closed contact  
 NO=Normally open contact

### FSR Inc.

244 Bergen Boulevard, Woodland Park, NJ 07424  
 Phone: 973.785.4347 · Fax: 973.785.4207  
 Web: www.fsrinc.com · E-mail: sales@fsrinc.com



Specifications are subject to change without notice.