

### K-10D GENERAL PURPOSE RELAY CARD

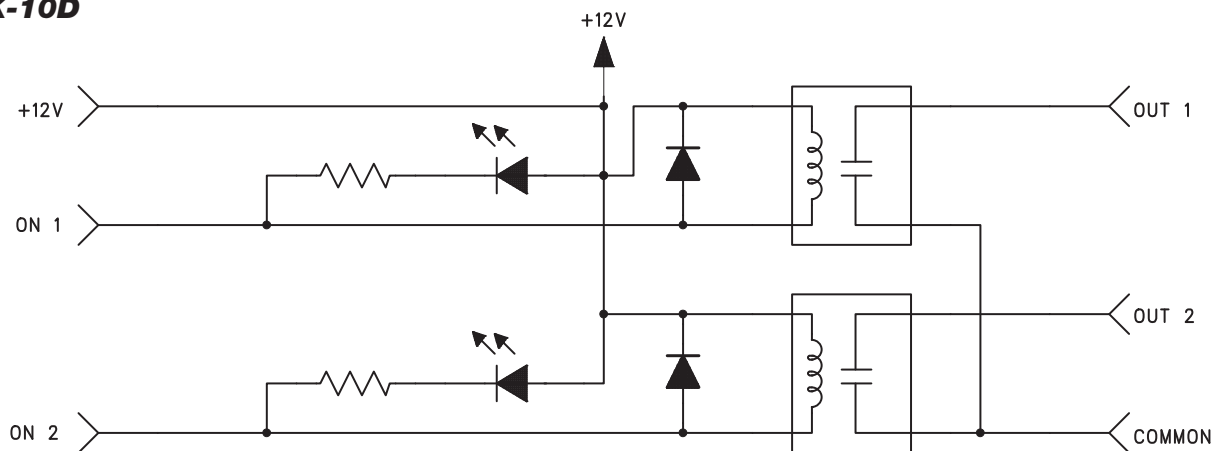
The K-10D relays can be driven from a low level GPIO input and be effectively used where a relay output is required from an open collector output. These handy boards provide a simple method to interface a low level control output from a control system such as the FSR Flex GPIO ports to higher level loads such as a low voltage screen controller. They can also be used to reverse control output logic if necessary. The units use captive screw terminals for fast, easy wiring and include on-board LEDs that monitor relay state. The K-10D "5 pack" includes the "snap away" relay modules and hook-and-loop mounting strips.

#### Specifications:

Coil: 12VDC @ 33mA (1 pack)  
 Contacts: 2 NO SPST (1 pack)  
 Contact Rating: Max DC voltage: 48V  
 Max current: 0.5A (10W max)  
 Operate Time: 0.5ms typical  
 Release Time: 0.2ms typical

**Size:** 1.7" W X .75" D X .475" H  
 (The overall length of the "5-pack" is 3.95")

#### K-10D



### FSR Inc.

244 Bergen Boulevard, Woodland Park, NJ 07424

Phone: 973.998.2300 · Fax: 973.785.4207

Web: www.fsrinc.com · E-mail: sales@fsrinc.com

LIT1362C

## K-2 / K-4 / K-2S GENERAL PURPOSE RELAY CARDS

These relays provide the installer with a variety of switching functions with a maximum current of 5 amps. K-2 single relay with DPDT bifurcated contacts. K-4 single relay with 4PDT bifurcated contacts. K-2S with two relays each with SPDT contacts.

K-2, K-4, and K-2S have LED status indication.

### Specifications:

Coil: K-2 24VDC @ 25mA  
 K-4 24VDC @ 40mA  
 K-2S 24VDC @ 40mA

### K2 and K4

Contact Rating: Max switching power 1250VA  
 Max switching voltage 250VAC  
 Max switching current 5A

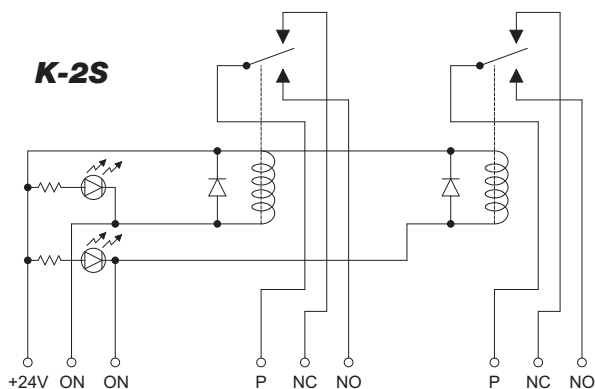
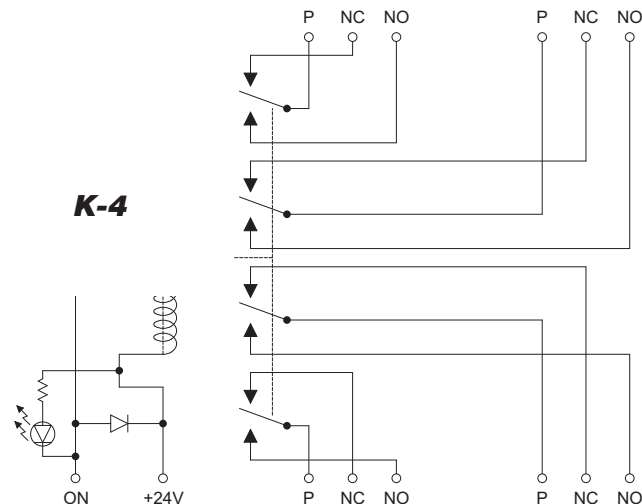
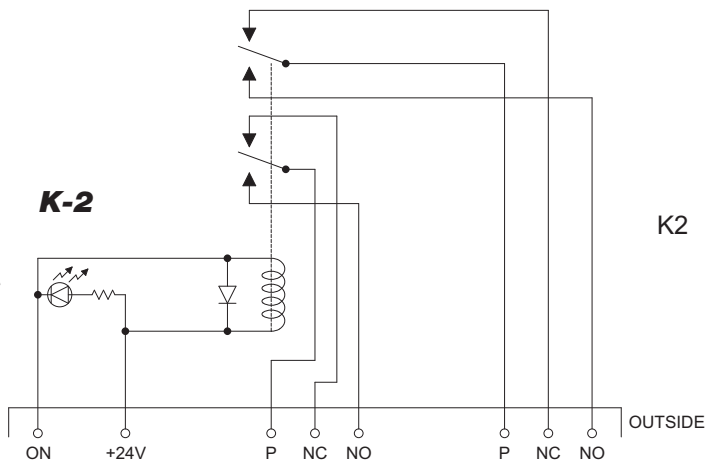
Contact Material: Gold clad silver-nickel alloy  
 Operate time: K-2 5ms  
 K-4 10ms

Release time: 5ms

### K-2S

Contact Rating: Max switching voltage 240VAC  
 Max switching current 5A  
 Contact Material: Silver Cadmium Oxide  
 Characteristics: Operate time 10ms  
 Release time 5ms

Sizes: K-2 1.75" W x 3.125" D x 0.75" H  
 K-4 2.125" W x 3.125" D x 1" H  
 K2S 2.5" W x 3.125" D x 1.125" H



## ORDERING INFORMATION

Model	For Control Applications	FSR Power Supply (sold separately)	
K-2	One DPDT relay, 5A contacts	PS-24DC	24DC 500mA
K-2S	Two SPDT relays, 5A contacts	PS-24DC	24DC 500mA
K-4	One 4PDT relay, 5A contacts	PS-24DC	24DC 500mA
K-10D	"Break-Away" 5 sets of 2 relays for UP/DN, Open/Close	IT-PS1	12VDC 1A
Model	For Power Applications		
AC-2A-12V	2 x 120VAC 15A NO NC Relays 12VDC Act.	IT-PS1	12VDC 1A

P= Pole NC=Normally closed contact NO=Normally open contact



Specifications are subject to change without notice.

**FSR Inc.** 244 Bergen Boulevard, Woodland Park, NJ 07424  
 Phone: 973.998.2300 · Fax: 973.785.4207  
 Web: www.fsrinc.com · E-mail: sales@fsrinc.com