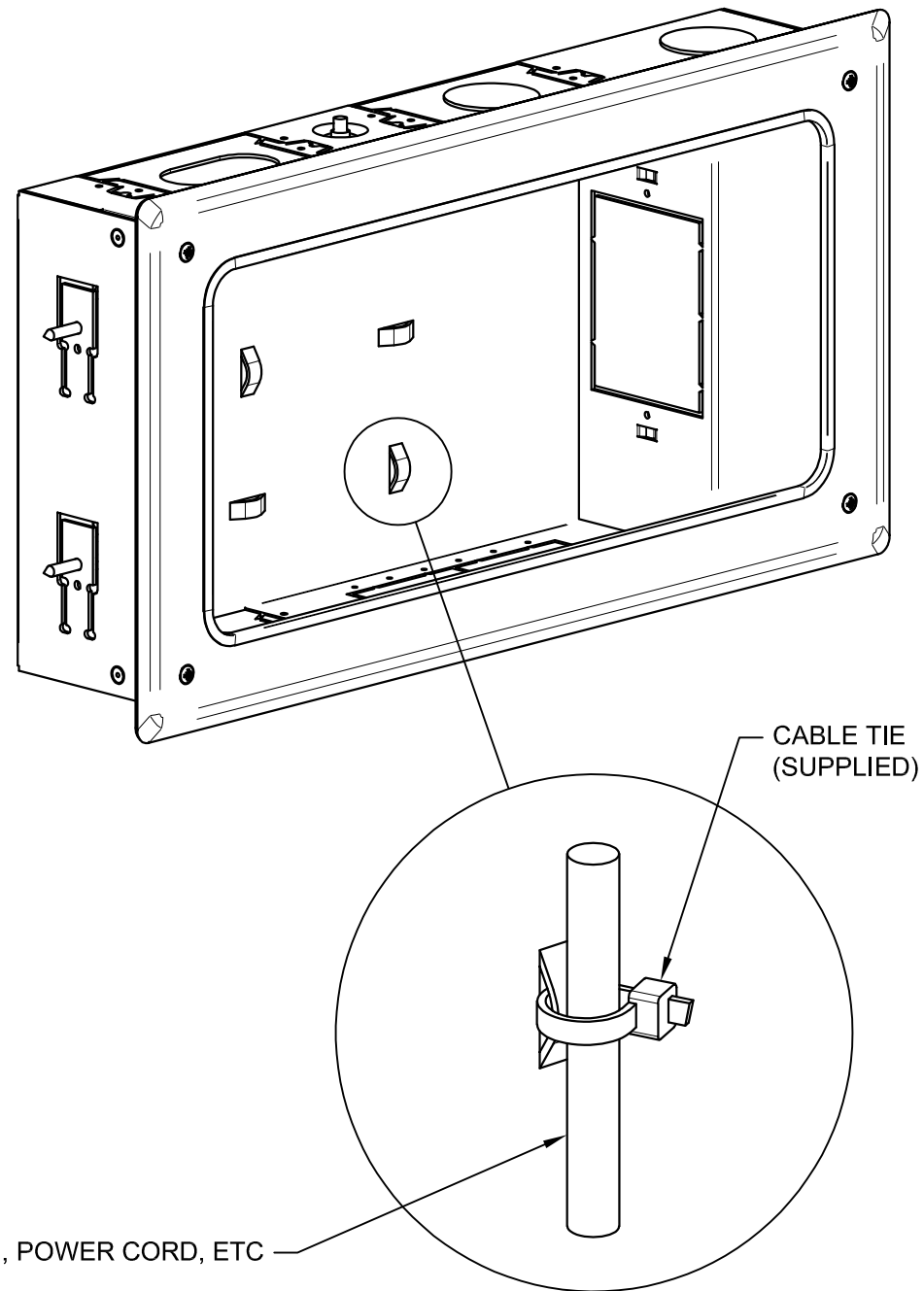


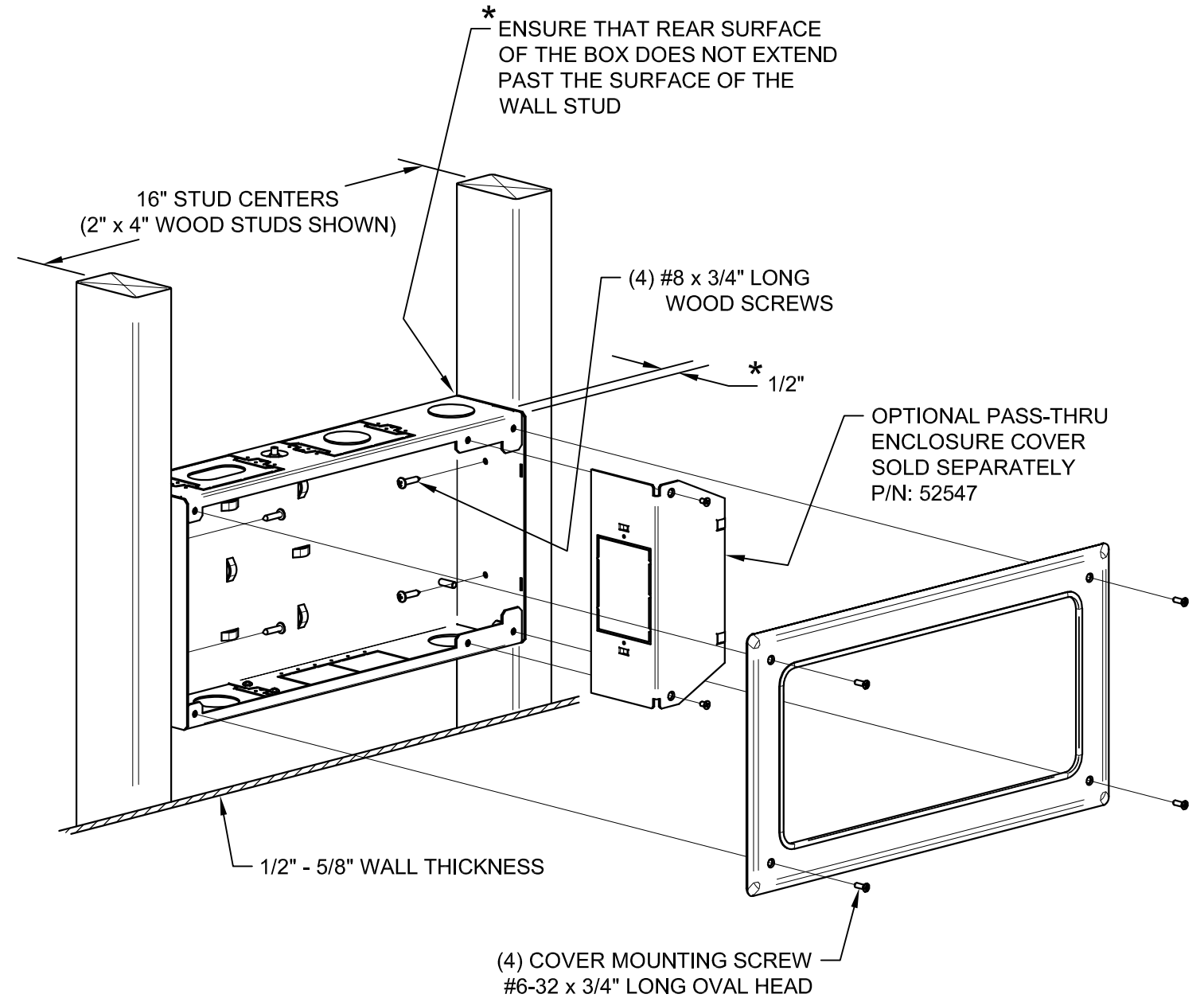
CABLE MANAGEMENT



FOR MOUNTING BOX AGAINST WOOD STUDS

WALL OPENING: 14-3/8" X 7-1/4"

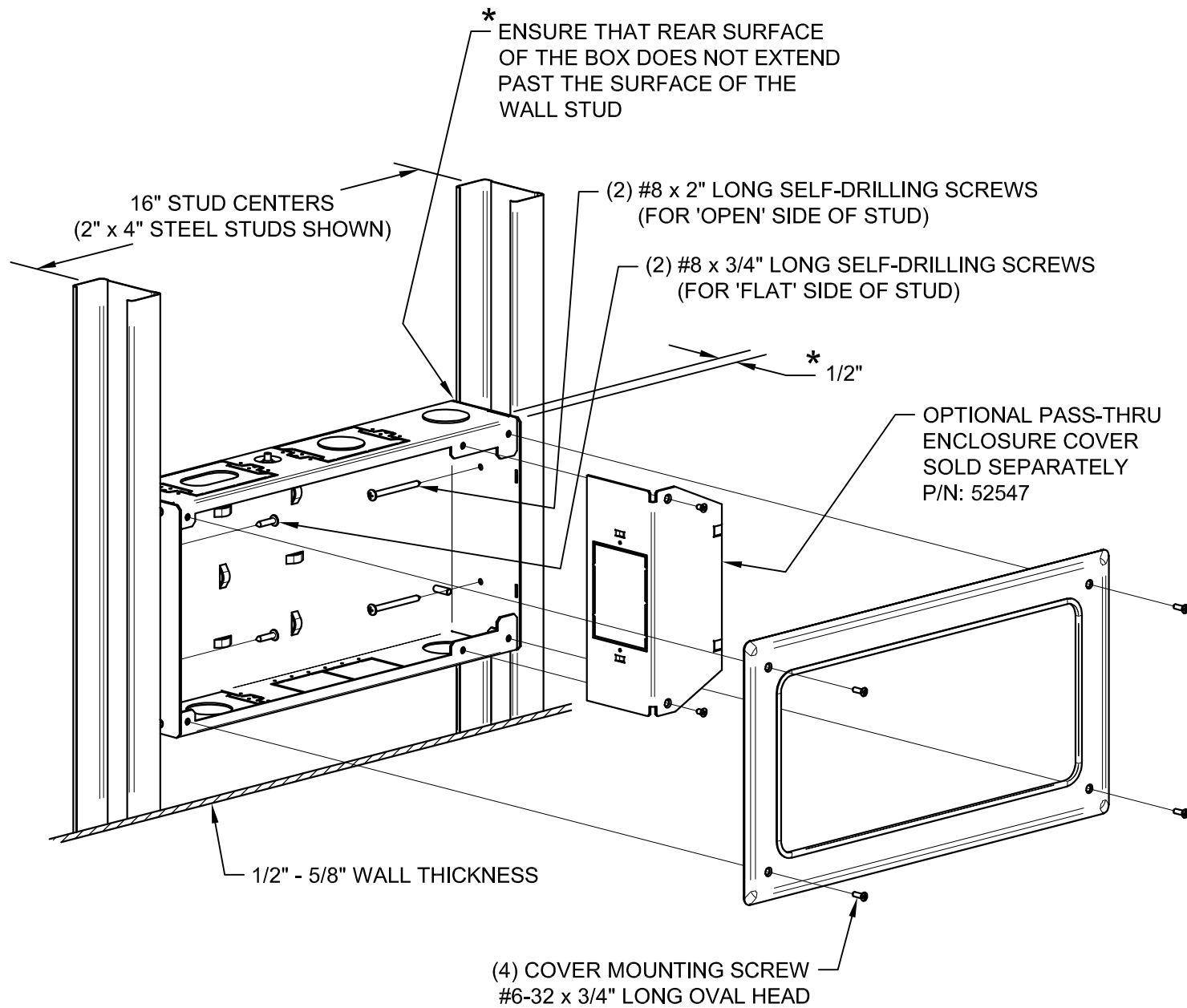
NOTE: BOX CAN BE ORIENTED IN ONE OF TWO POSITIONS



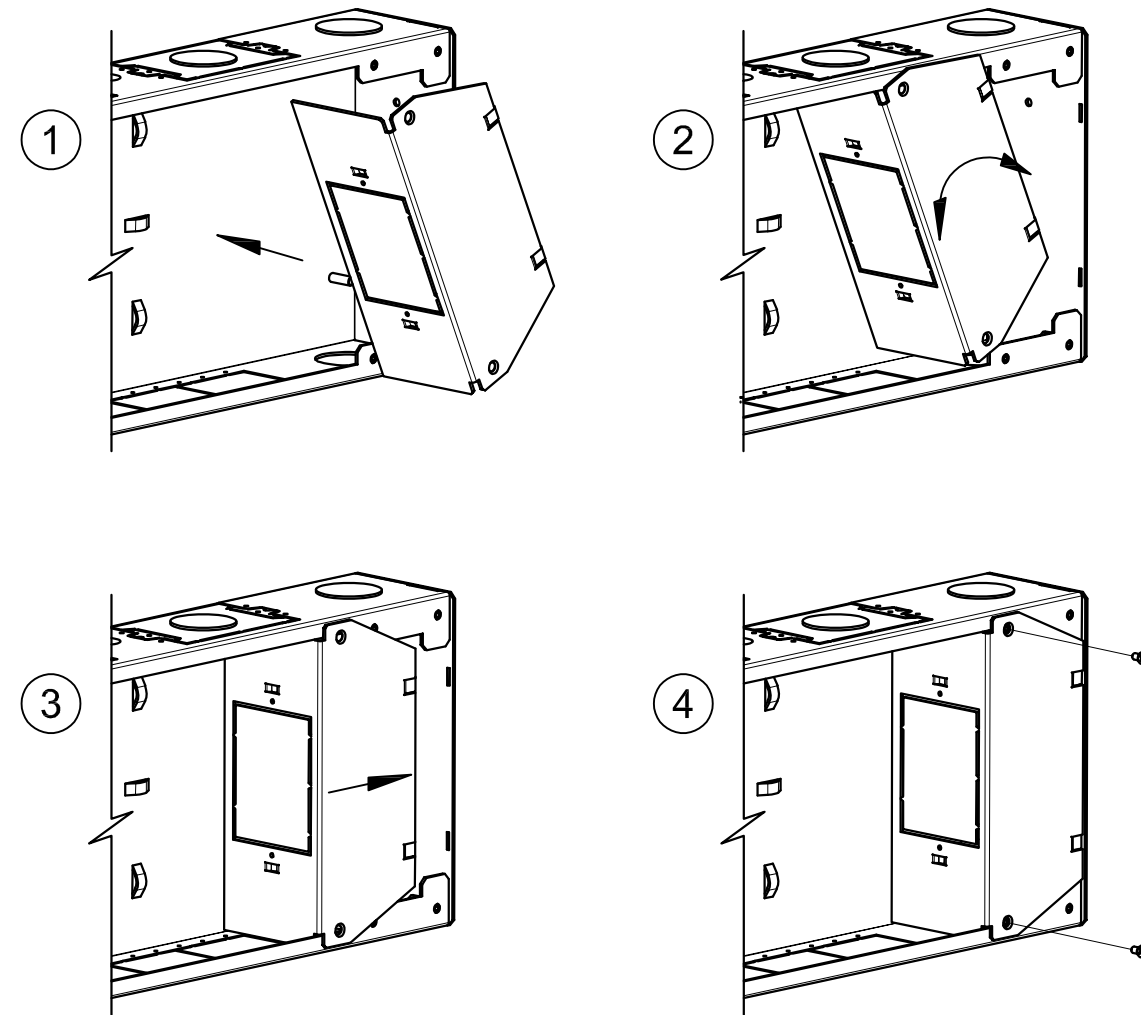
FOR MOUNTING BOX AGAINST STEEL STUDS

WALL OPENING: 14-3/8" X 7-1/4"

NOTE: BOX CAN BE ORIENTED IN ONE OF TWO POSITIONS



OPTIONAL PASS-THRU ENCLOSURE COVER INSTALLATION (P/N: 52207)



AC OUTLET BOX BREAKOUT

