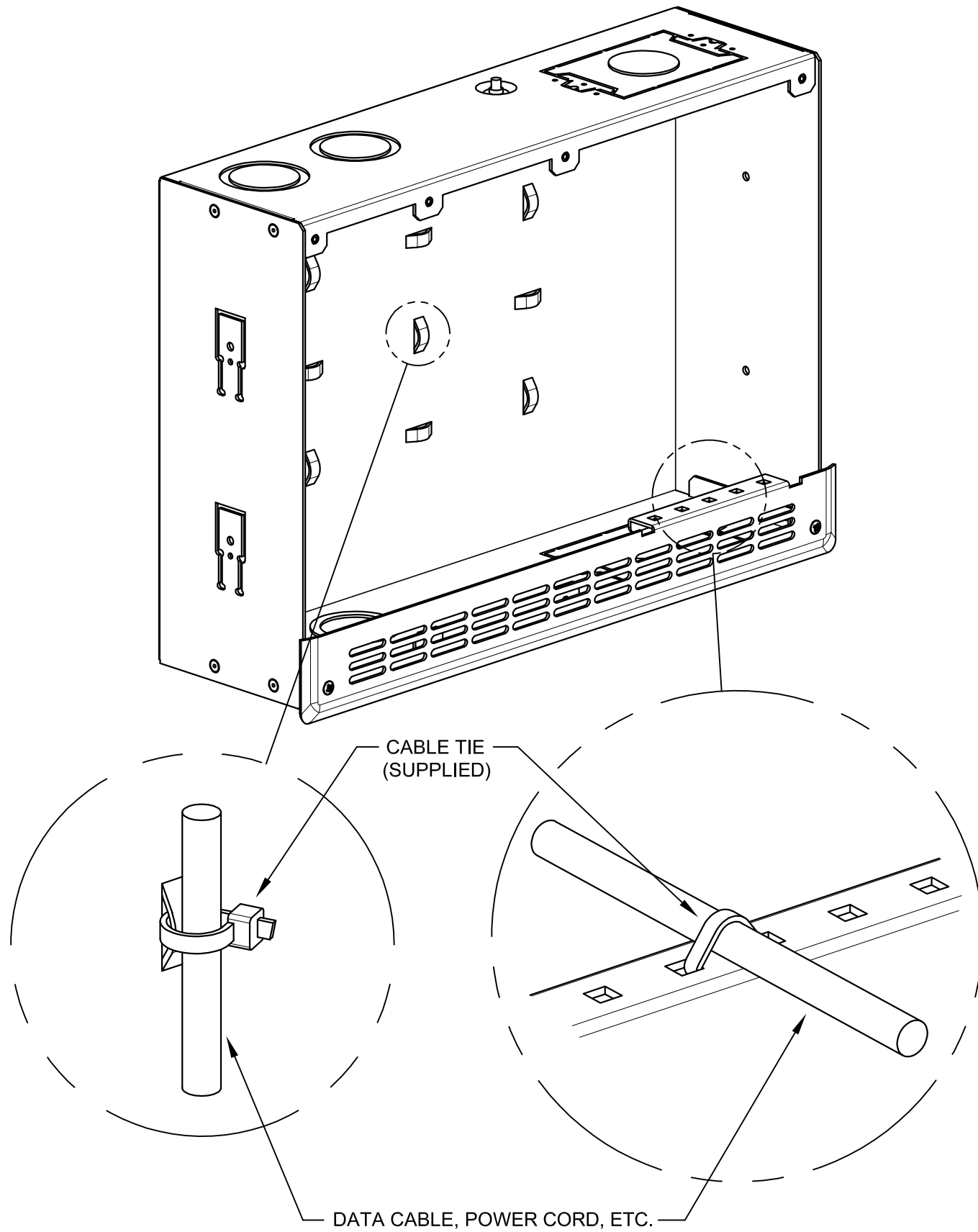


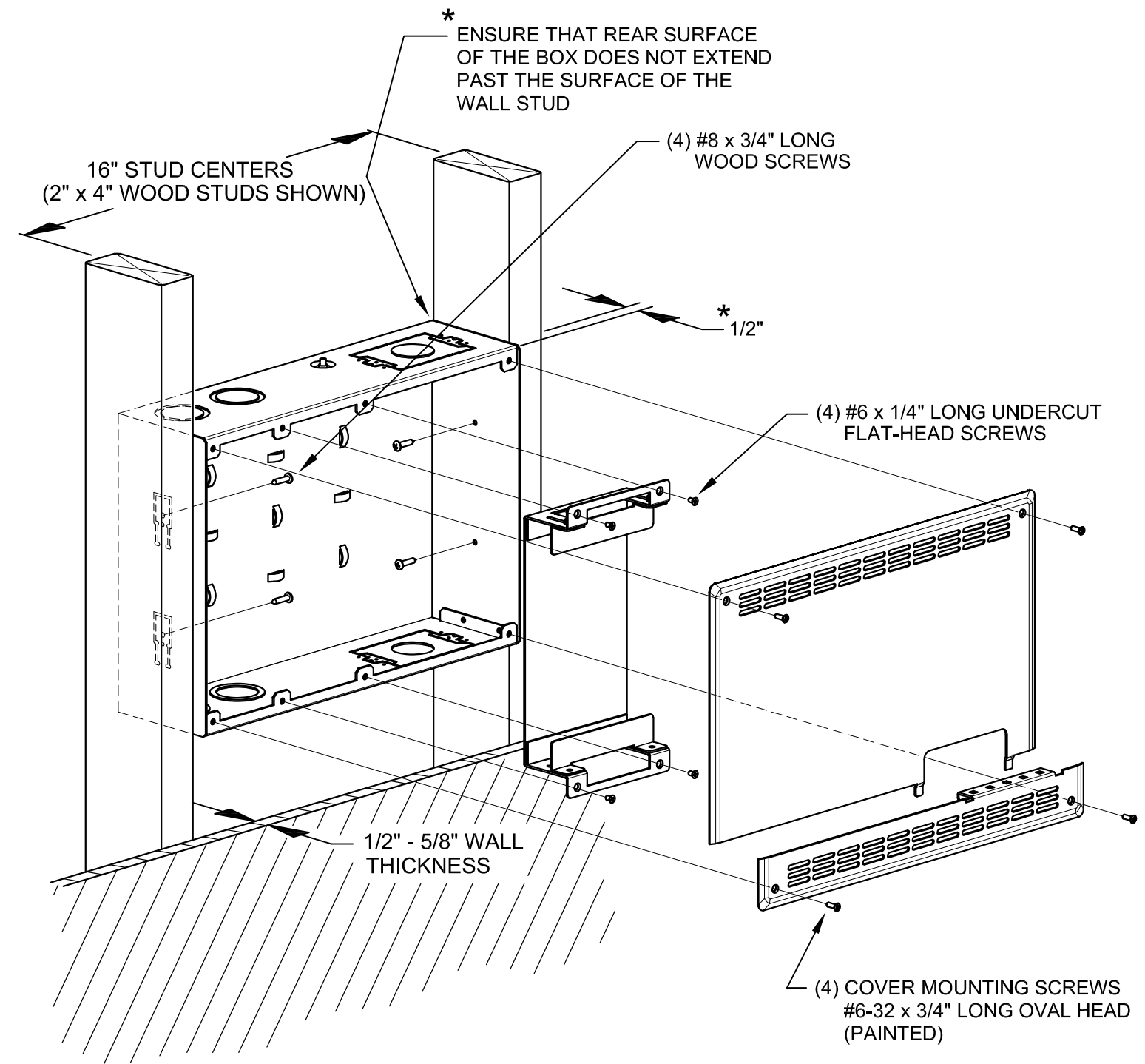
CABLE MANAGEMENT



FOR MOUNTING BOX AGAINST WOOD STUDS

WALL OPENING: 14-3/8" X 10-1/8"

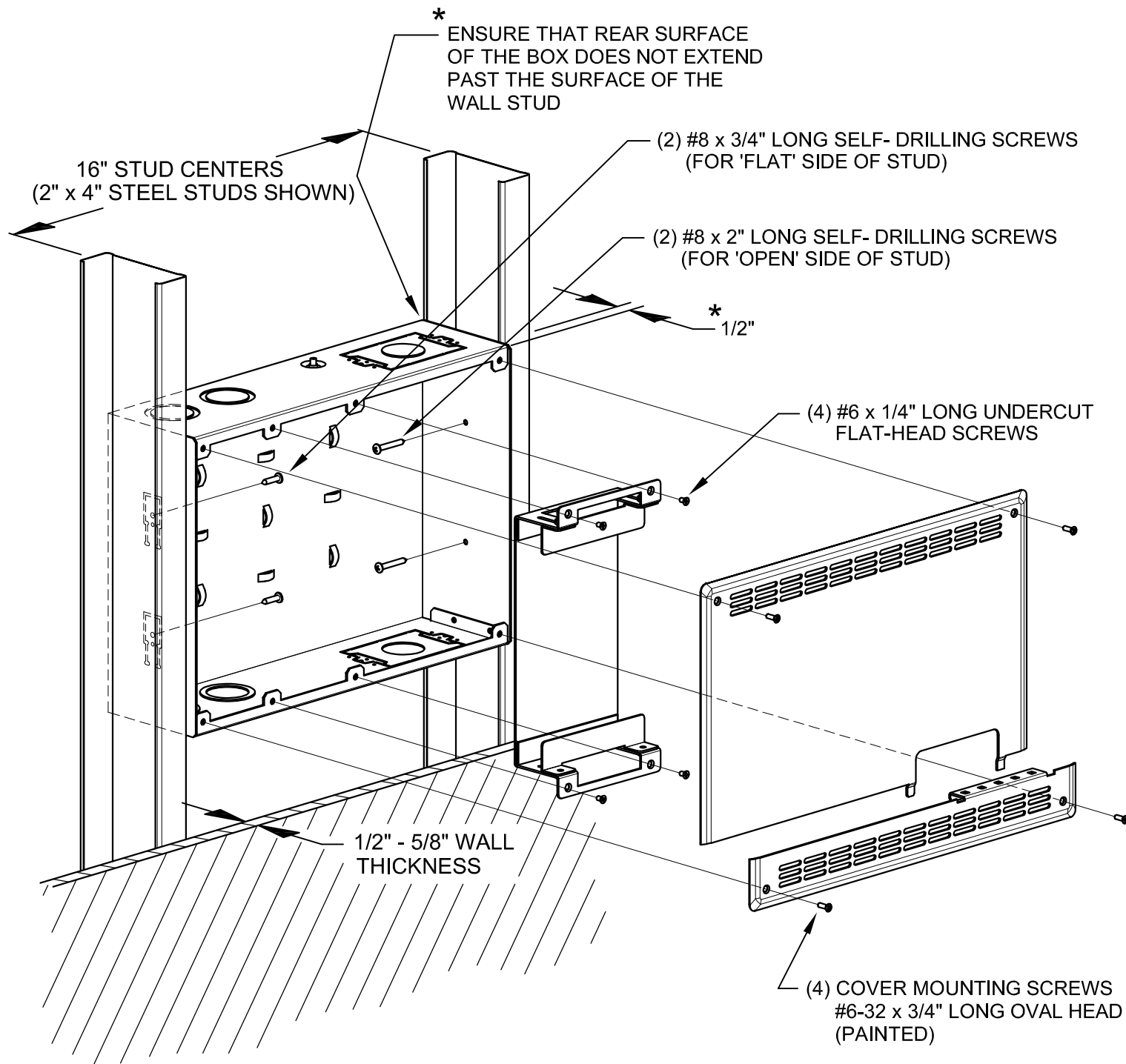
NOTE: BOX CAN BE ORIENTED IN ONE OF TWO POSITIONS



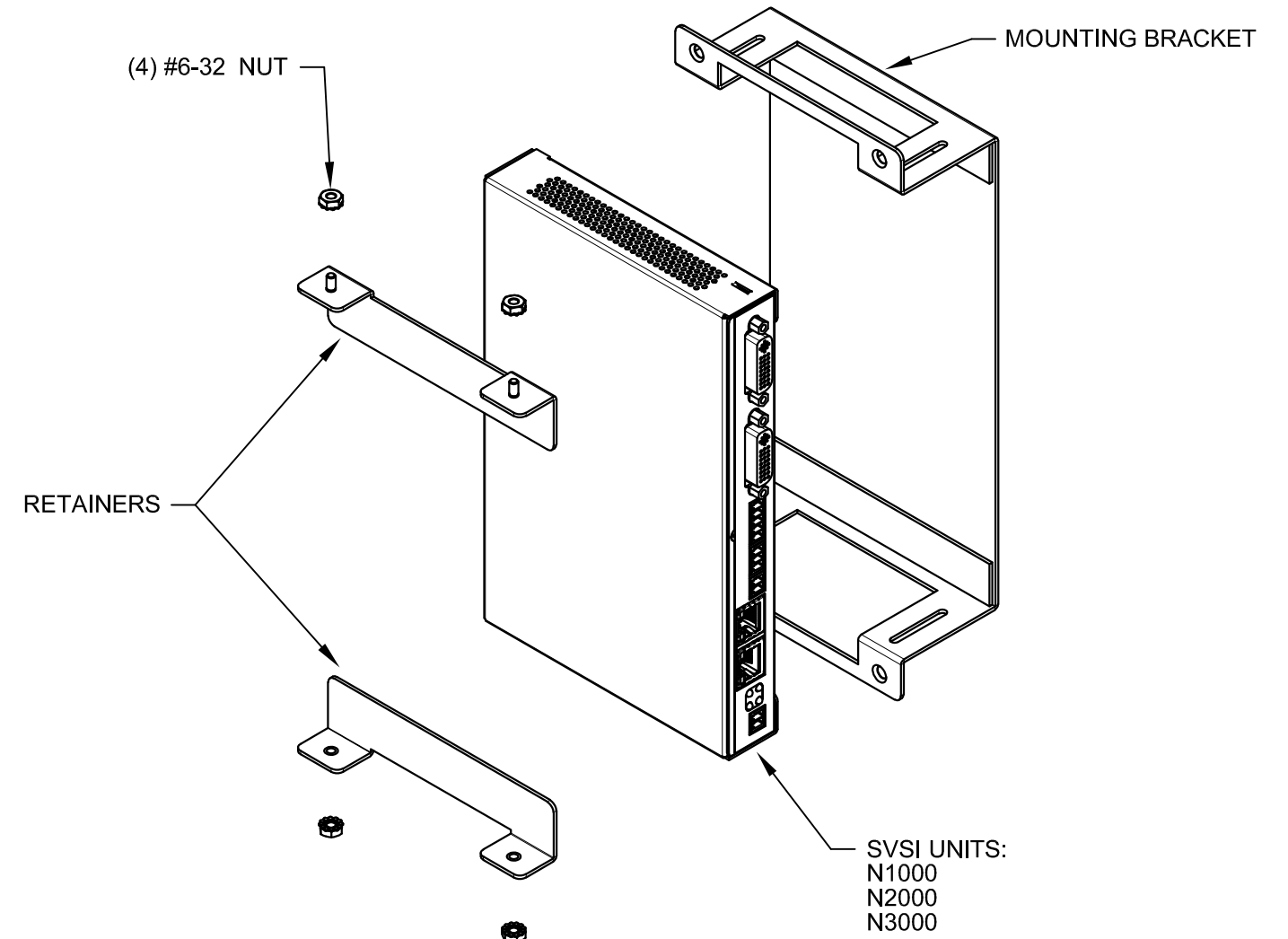
**FOR MOUNTING BOX AGAINST STEEL STUDS**

WALL OPENING: 14-3/8" X 10-1/8"

NOTE: BOX CAN BE ORIENTED IN ONE OF TWO POSITIONS



**SCALER MOUNTING**



**AC OUTLET BOX BREAKOUT**

