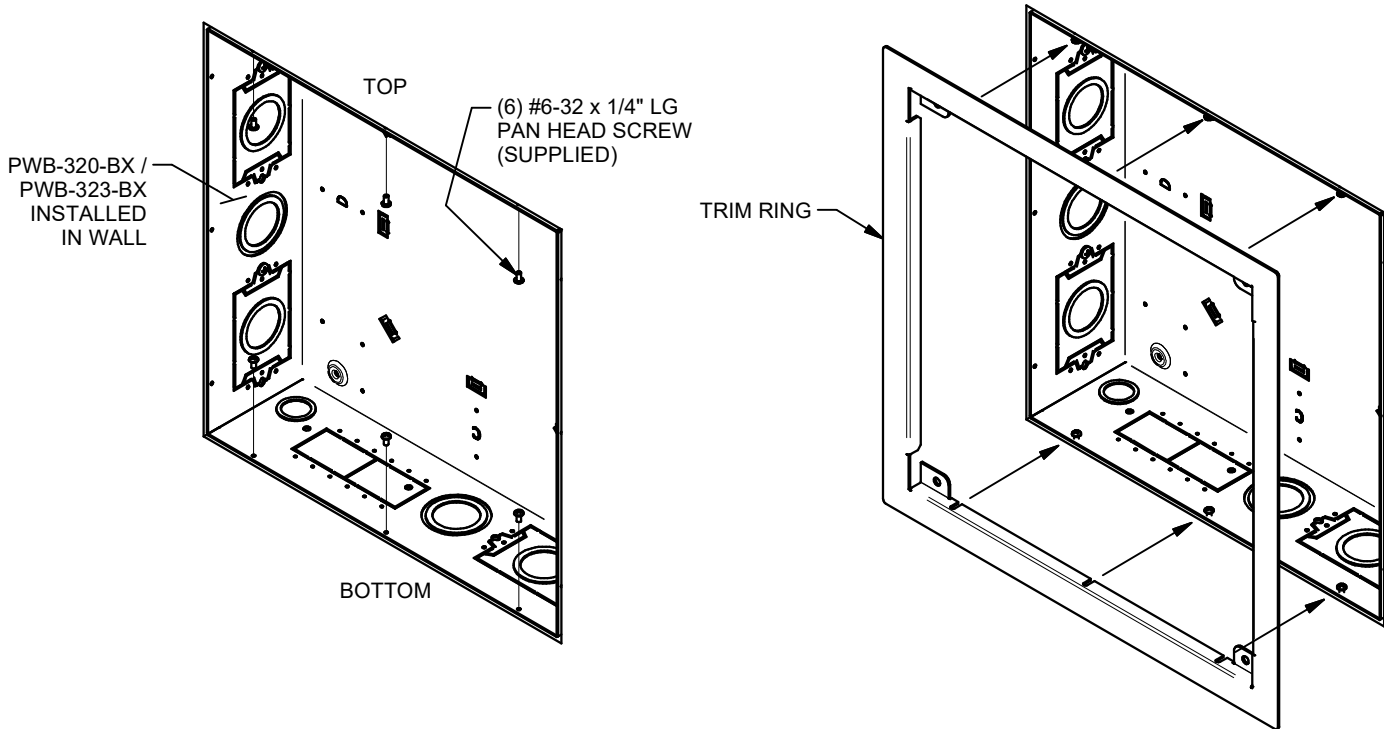


1. INSTALL (6) #6-32 SCREWS AS SHOWN. LEAVE 1/8" GAP BETWEEN BOX AND SCREW HEAD.

2. INSTALL TRIM RING AND SECURE TO BOX BY TIGHTENING SCREWS.



3. PLACE COVER ONTO TRIM RING WITH CABLE EXIT/VENT OPENING TOWARD TOP AND BOTTOM. PRESS IN ON THE SNAP-TOP FASTENERS TO AFIX COVER.

