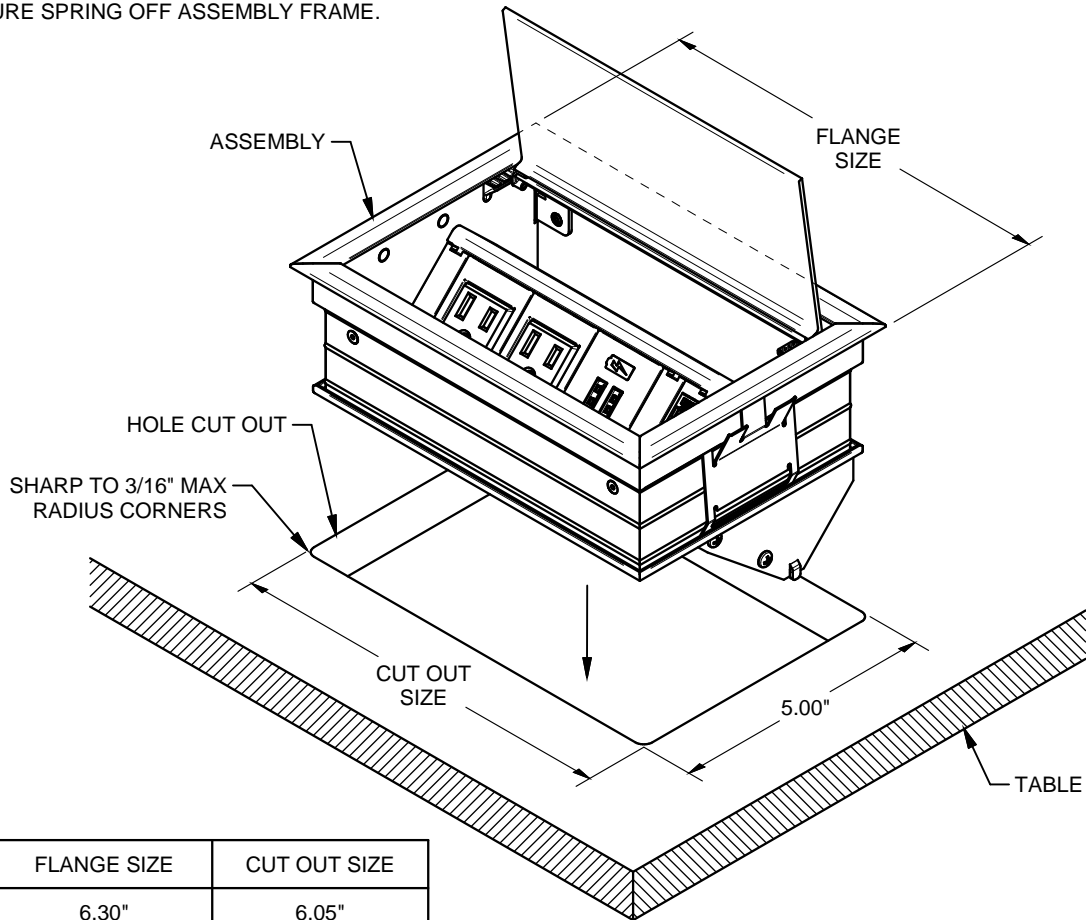
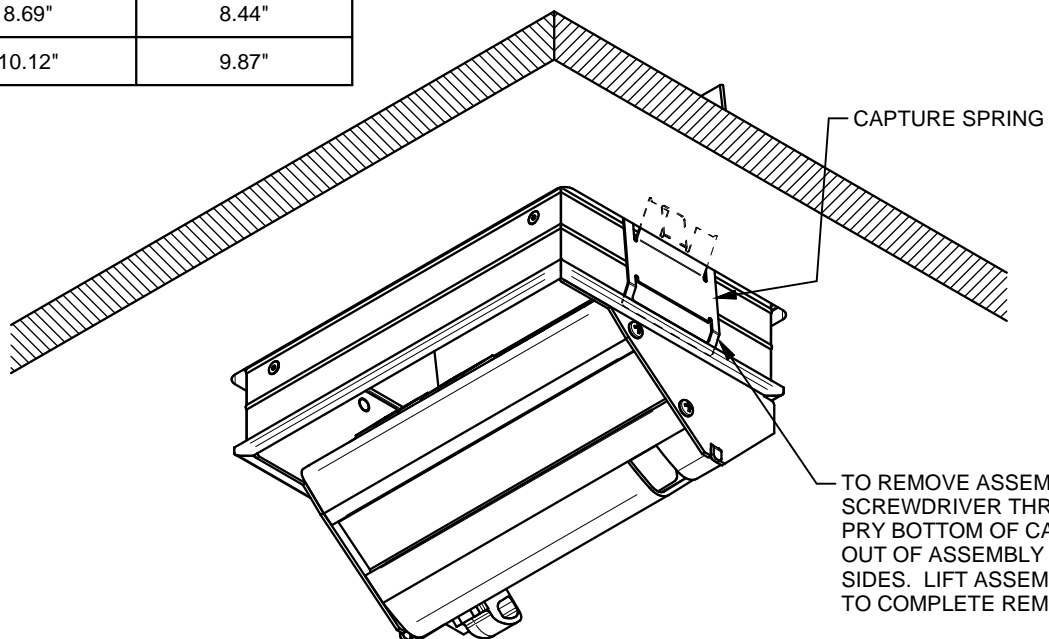


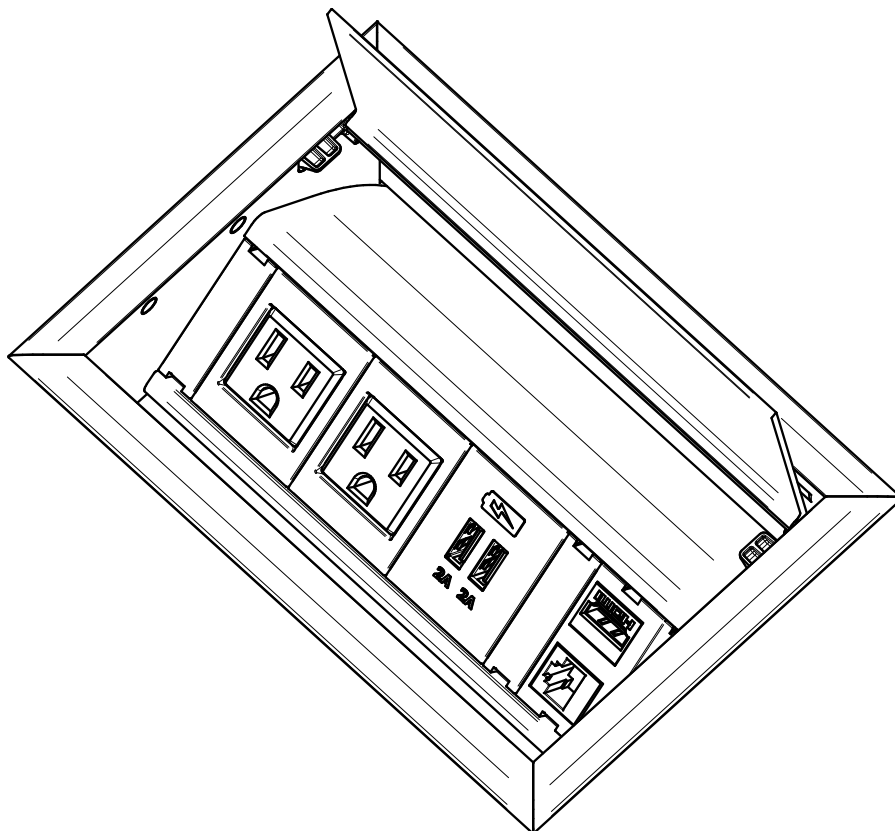
1. SELECT LOCATION FOR ASSEMBLY AND CUT APPLICABLE HOLE IN TABLE. INSERT ASSEMBLY INTO HOLE AND PUSH DOWN ON FLANGES. TO REMOVE ASSEMBLY FROM TABLE, PRY BOTTOM OF CAPTURE SPRING OFF ASSEMBLY FRAME.



TYPE	FLANGE SIZE	CUT OUT SIZE
A FRAME	6.30"	6.05"
B FRAME	7.73"	7.47"
C FRAME	8.69"	8.44"
D FRAME	10.12"	9.87"



2. IF APPLICABLE, INSTALL KEYSTONE CONNECTORS (SOLD SEPARATELY) INTO INSERTS (SINGLE OR DUAL), MAKE WIRING CONNECTIONS AS REQUIRED, AND INSTALL INSERTS INTO ASSEMBLY. IF KEYSTONE CONNECTORS ARE TO BE INSTALLED AT A LATER DATE INSTALL BLANK INSERTS. FRONT FACE MUST BE CLOSED WITH KEYSTONE OR BLANK INSERTS.



INSERT INSTALLATION AND REMOVAL

- a. TO INSTALL, PUSH INSERT WHERE INDICATED, SNAPPING INSERT INTO ASSEMBLY.

- b. TO REMOVE, INSERT SCREWDRIVER WHERE INDICATED, PRYING INSERT OUT OF ASSEMBLY.

