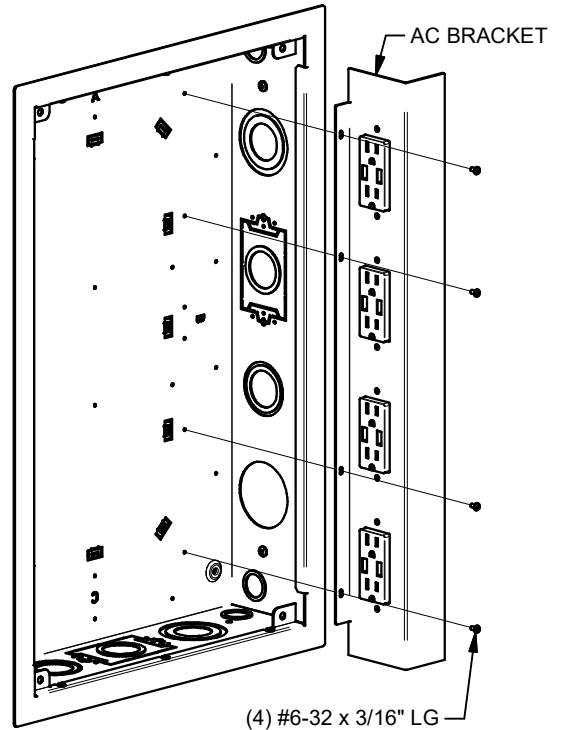
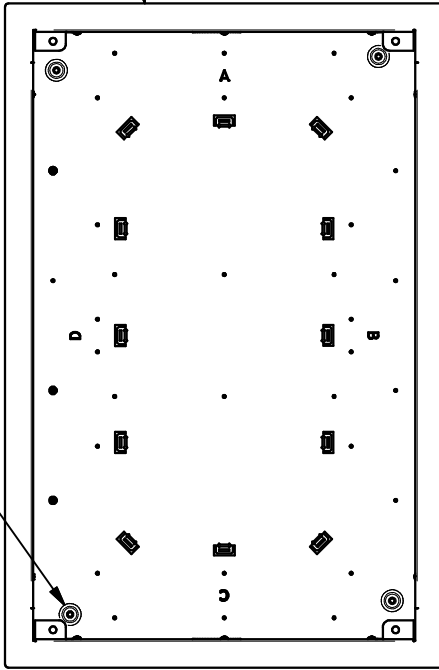


1. AC BRACKET CAN ONLY BE MOUNTED VERTICALLY.

2. ASSEMBLE PWB-320XL-AC4 AND MAKE ELECTRICAL CONNECTIONS AS REQUIRED IN ACCORDANCE WITH ALL APPLICABLE ELECTRICAL CODES. INSTALL AS SHOWN.

BOX SHOWN WITH  
OPTIONAL TRIM RING



### 2 POSSIBLE PWB-320XL-AC4 LOCATIONS

