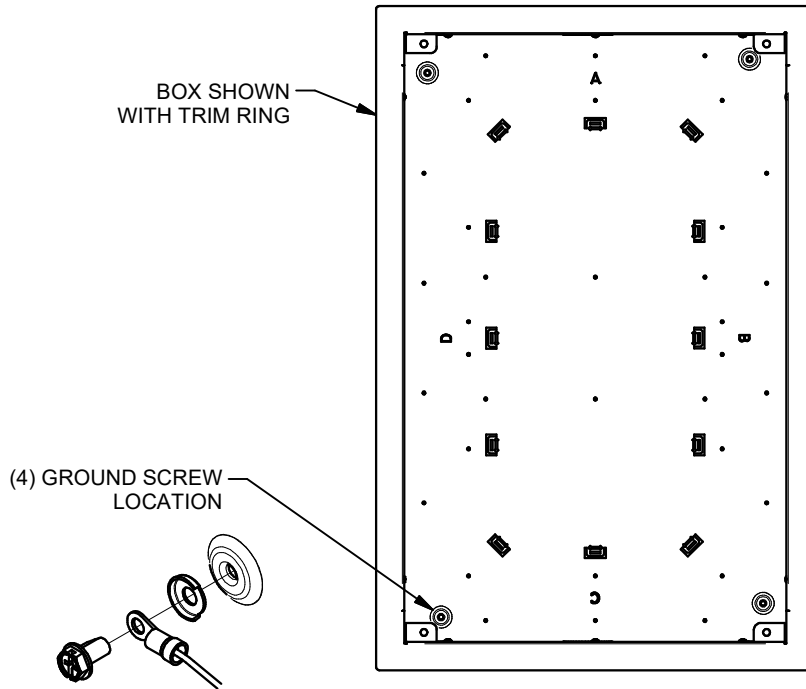
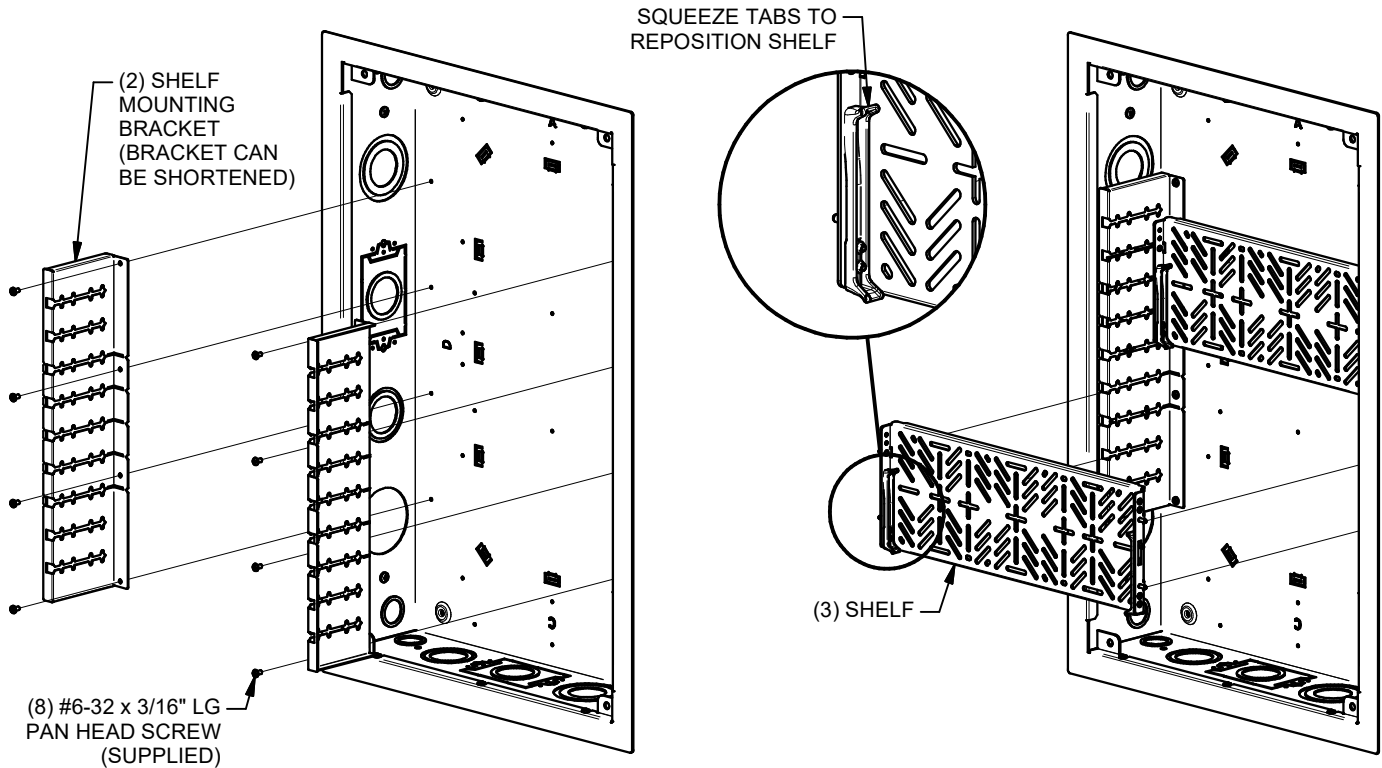


1. SHELF SYSTEM CAN BE MOUNTED HORIZONTALLY OR VERTICALLY.



2. INSTALL SHELF MOUNTING BRACKETS AS SHOWN. BRACKETS CAN BE SHORTENED IF REQUIRED (SEE BACK FOR SHELF CONFIGURATIONS).

3. INSTALL SHELF ONTO SHELF MOUNTING BRACKET. SQUEEZE PLASTIC TABS TO REPOSITION SHELF. INSTALL ELECTRONIC COMPONENTS (SOLD SEPARATELY) AND MAKE WIRING CONNECTIONS AS REQUIRED.



SHELF CONFIGURATION EXAMPLES (ADDITIONAL CONFIGURATIONS POSSIBLE)

