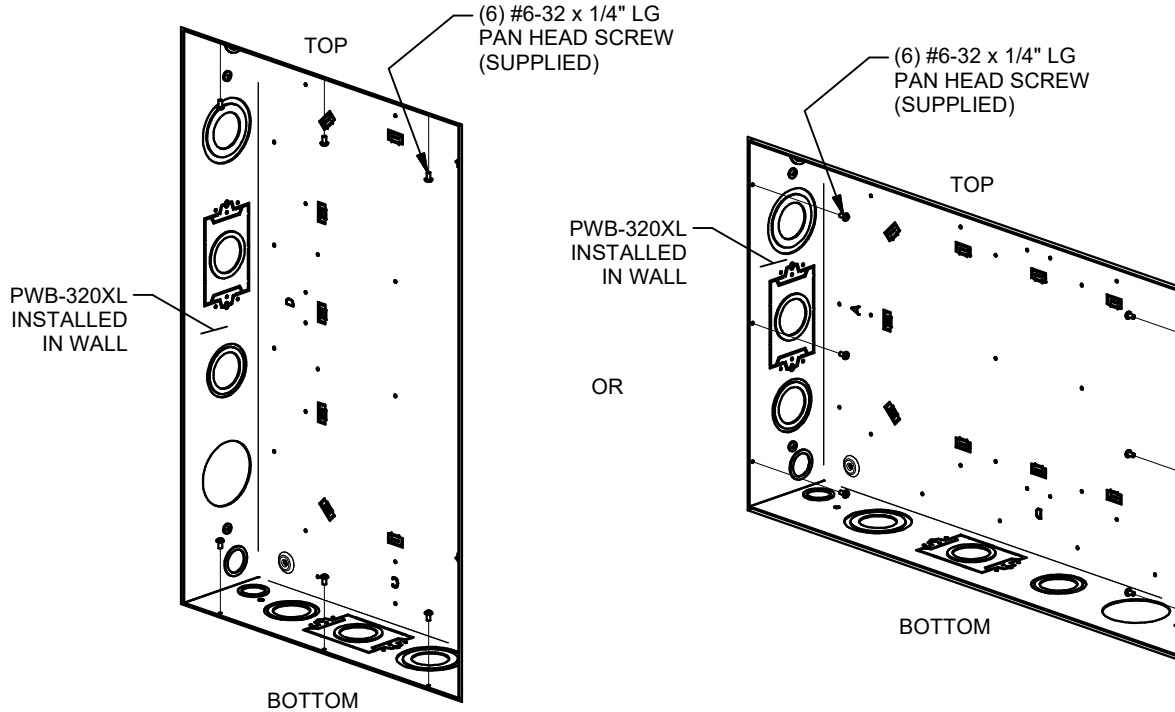
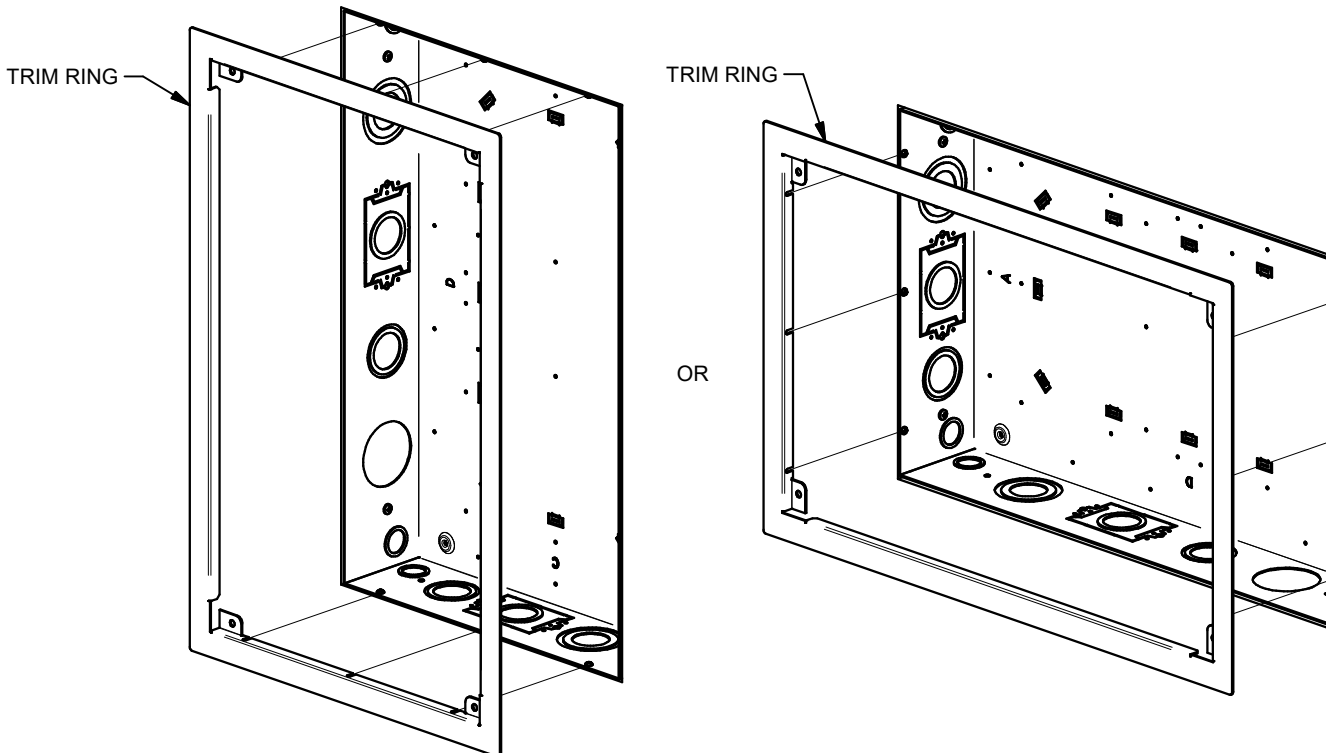


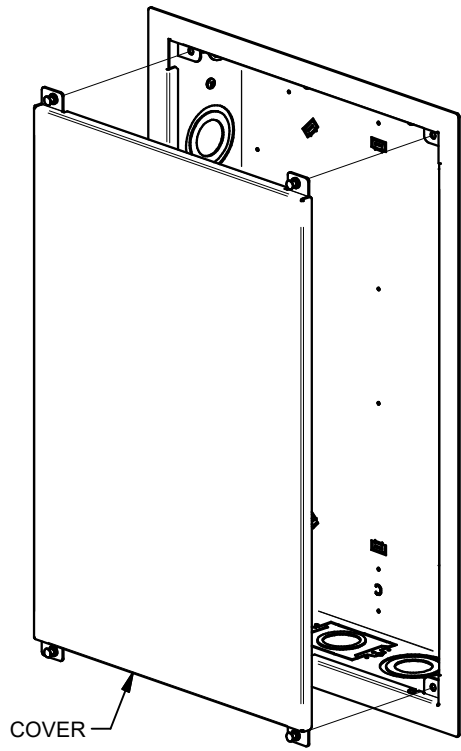
1. INSTALL (6) #6-32 SCREWS AS SHOWN. LEAVE 1/8" GAP BETWEEN BOX AND SCREW HEAD.



2. INSTALL TRIM RING AND SECURE TO BOX BY TIGHTENING SCREWS.



3. PLACE COVER ONTO TRIM RING. PRESS IN ON THE SNAP-TOP FASTENERS TO AFIX COVER.



OR

