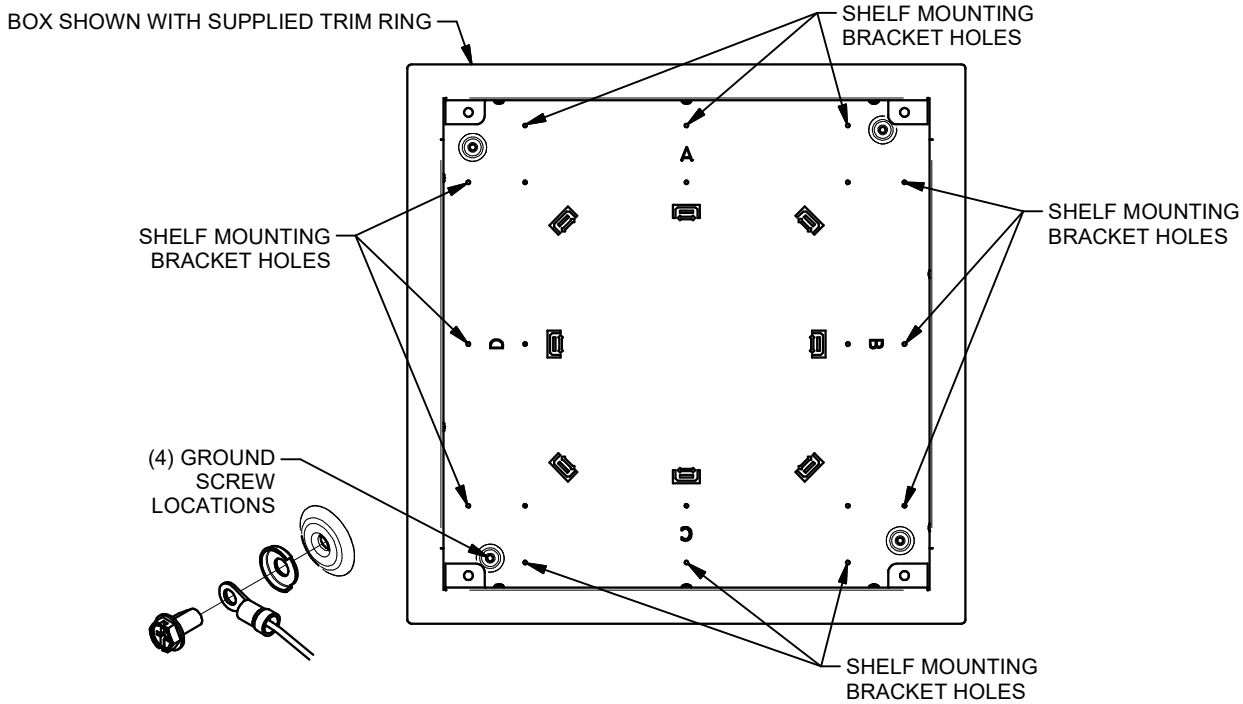


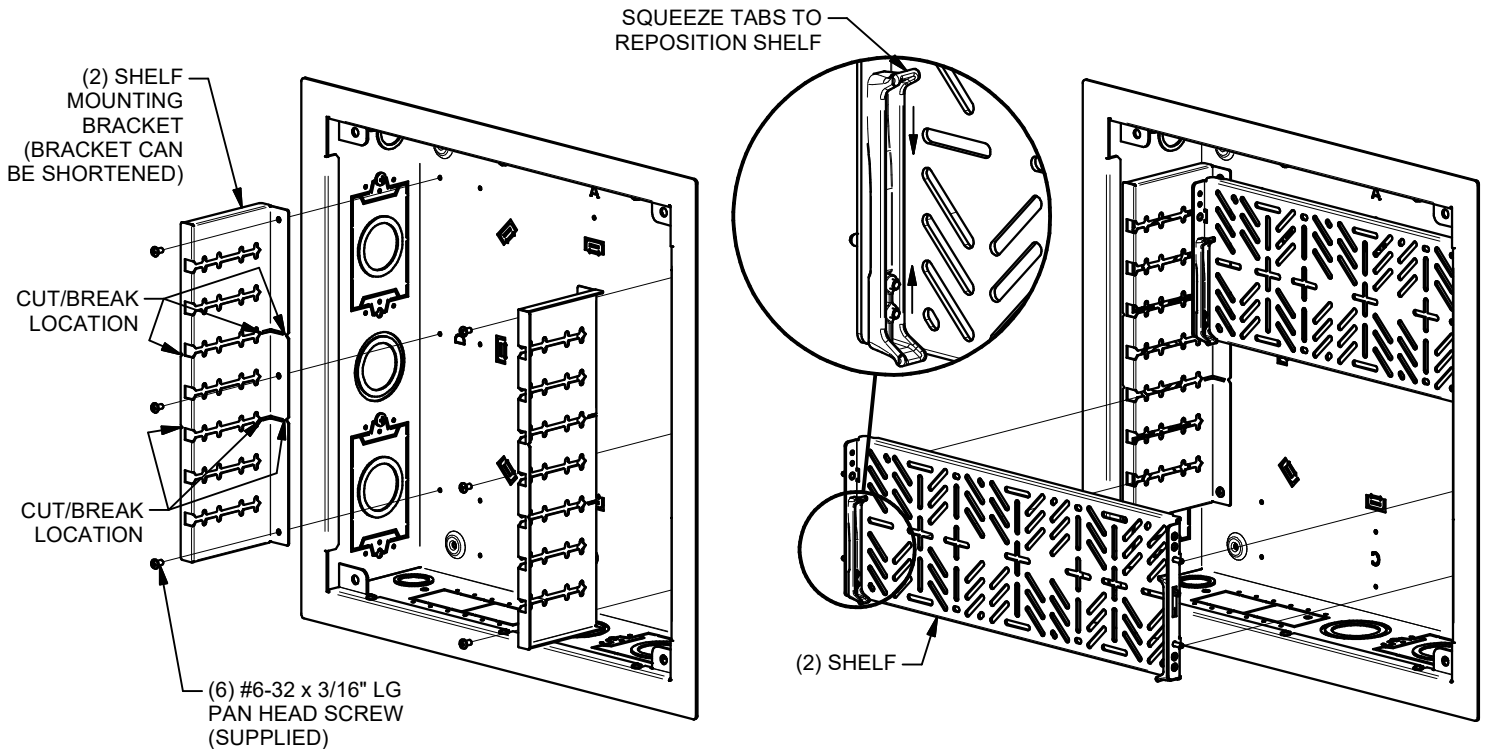
PWB-320/323 Box Installation

1. SHELF SYSTEM CAN BE MOUNTED HORIZONTALLY OR VERTICALLY.



2. INSTALL SHELF MOUNTING BRACKETS AS SHOWN. BRACKETS CAN BE SHORTENED IF REQUIRED (SEE PWB-HVBX INSTALLATION ON BACK).

3. INSTALL SHELF ONTO SHELF MOUNTING BRACKET. SQUEEZE PLASTIC TABS TO REPOSITION SHELF. INSTALL ELECTRONIC COMPONENTS (SOLD SEPARATELY) AND MAKE WIRING CONNECTIONS AS REQUIRED.



PWB-HVBX Box Installation

1. INSTALL SHELF MOUNTING BRACKETS AS SHOWN. BRACKETS CAN BE SHORTENED IF REQUIRED (SEE BELOW).

2. INSTALL SHELF ONTO SHELF MOUNTING BRACKET. SQUEEZE PLASTIC TABS TO REPOSITION SHELF. INSTALL ELECTRONIC COMPONENTS (SOLD SEPARATELY) AND MAKE WIRING CONNECTIONS AS REQUIRED.

