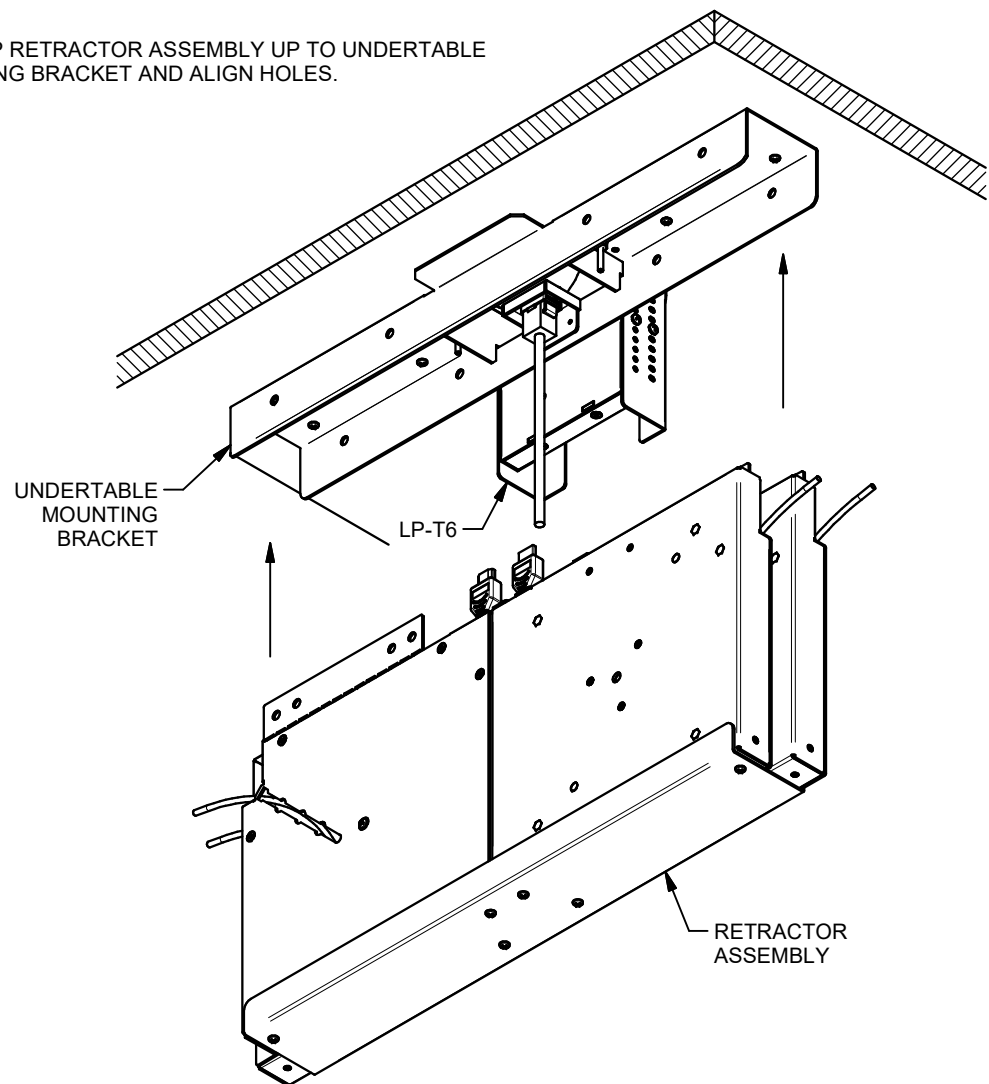
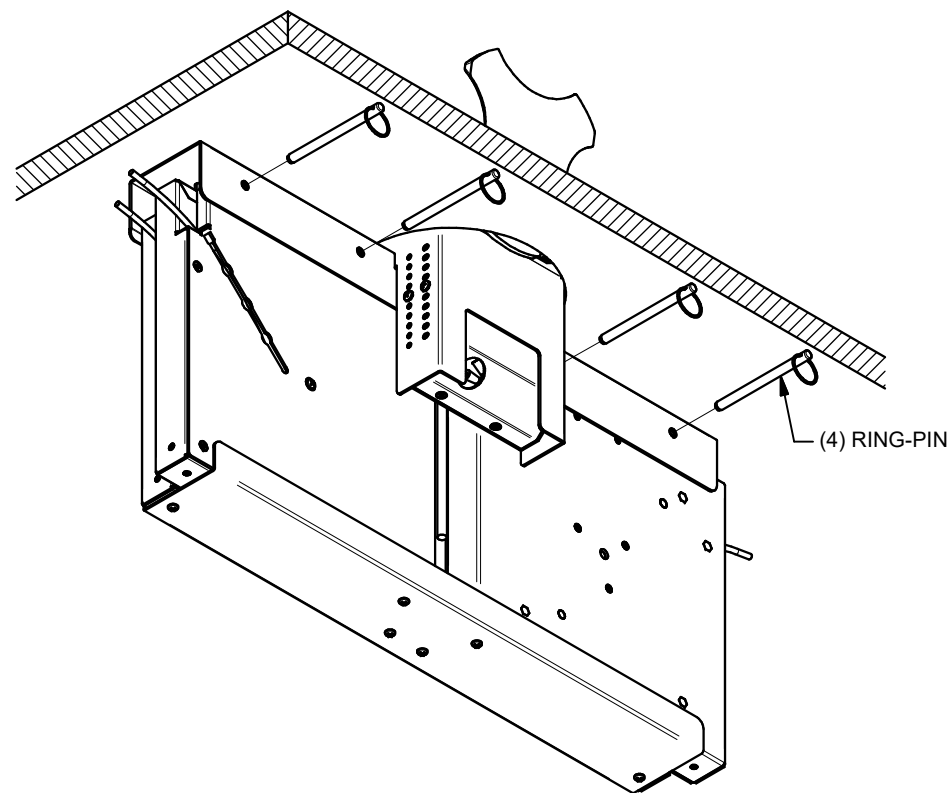


6b. PUSH UP RETRACTOR ASSEMBLY UP TO UNDERTABLE MOUNTING BRACKET AND ALIGN HOLES.



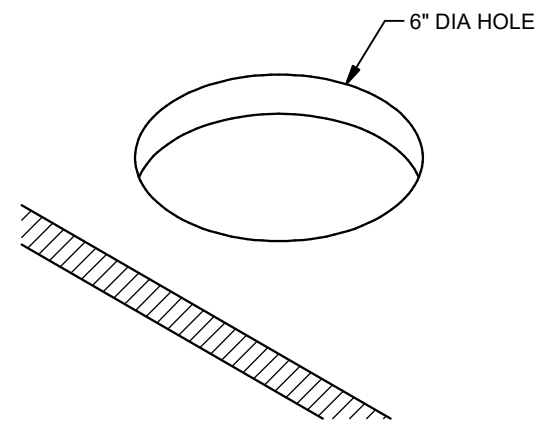
6c. INSERT RING-PIN INTO HOLES TO SECURE RETRACTOR ASSEMBLY IN PLACE (CAN BE INSTALLED FROM THE FRONT IF DESIRED) AND MAKE ELECTRICAL CONNECTIONS AS REQUIRED.



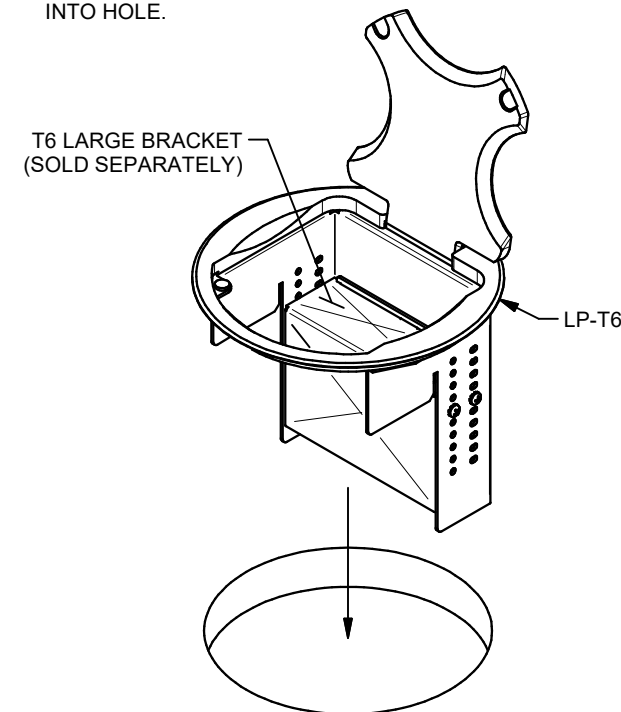
FSR LP-T6 Table Box Installation Instructions

244 Bergen Boulevard, Woodland Park, NJ 07424, Phone: 973.785.4347 - Fax: 973.785.4207

1. DETERMINE LP-T6 LOCATION AND DRILL 6" HOLE.



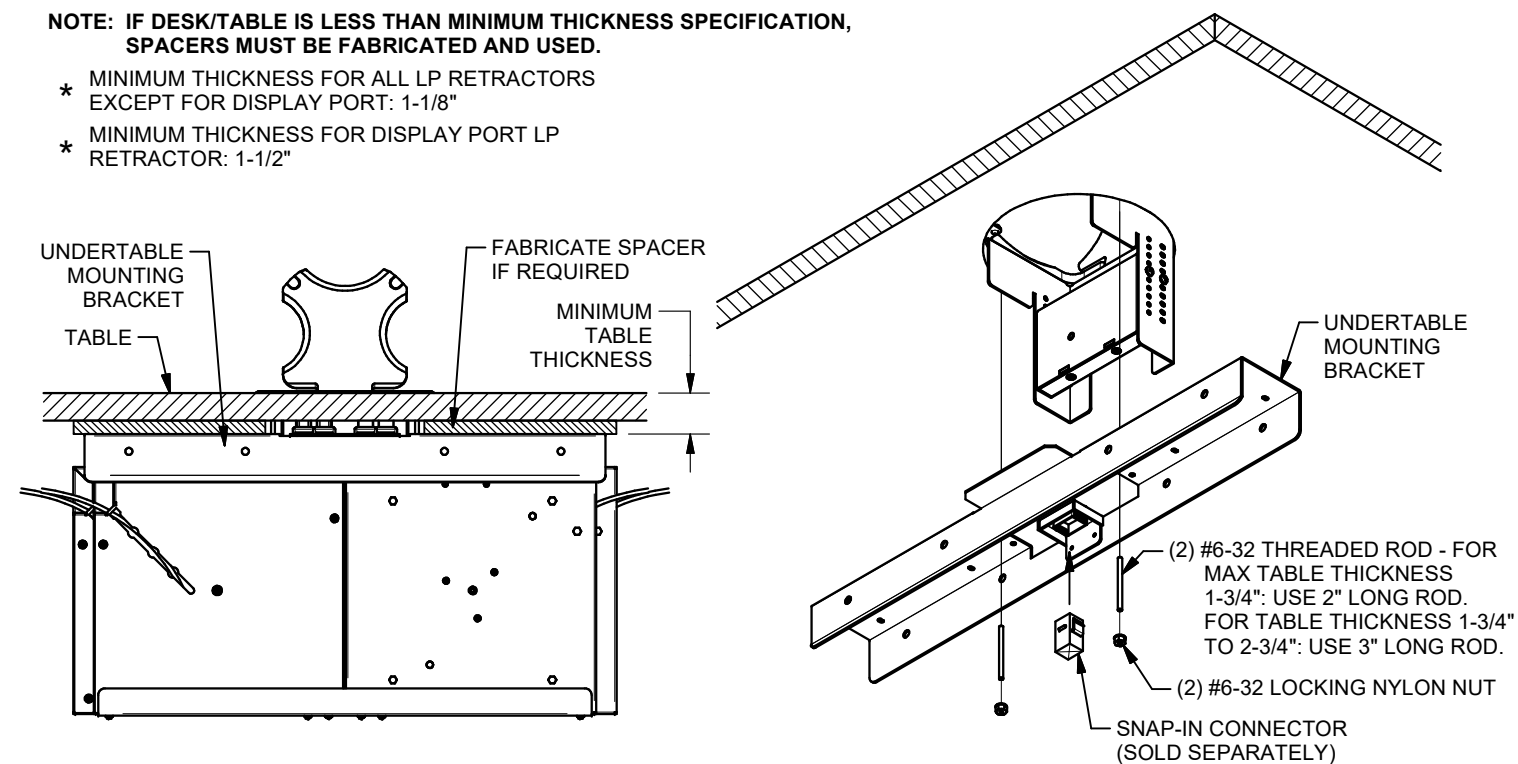
2. INSTALL T6 LARGE BRACKET (SOLD SEPARATELY) INTO LP-T6 (REFER TO T6 BRACKET INSTALLATION INSTRUCTIONS) BEFORE INSERTING LP-T6 ASSEMBLY INTO HOLE.



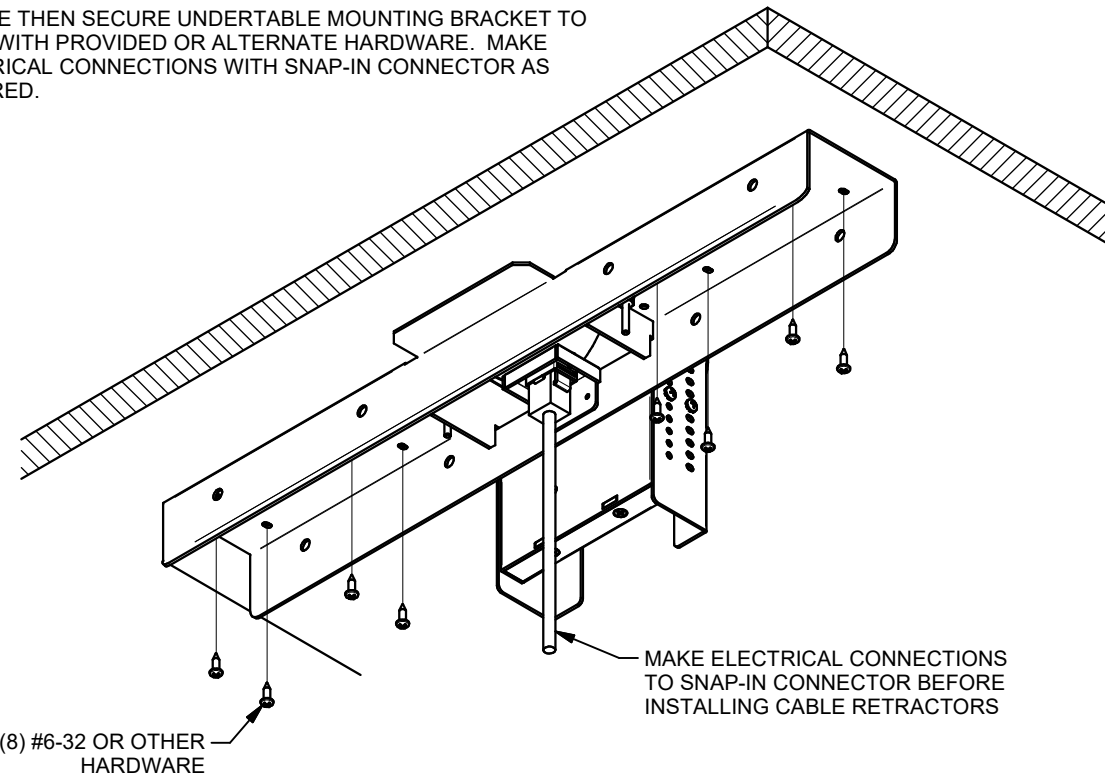
3. INSTALL BLANK OR SNAP-IN CONNECTOR (SOLD SEPARATELY) INTO UNDERTABLE MOUNTING BRACKET. INSTALL APPROPRIATE-LENGTH #6-32 THREADED RODS INTO LP-T6. SECURE UNDERTABLE MOUNTING BRACKET WITH #6-32 LOCKING NYLON NUTS.

NOTE: IF DESK/TABLE IS LESS THAN MINIMUM THICKNESS SPECIFICATION, SPACERS MUST BE FABRICATED AND USED.

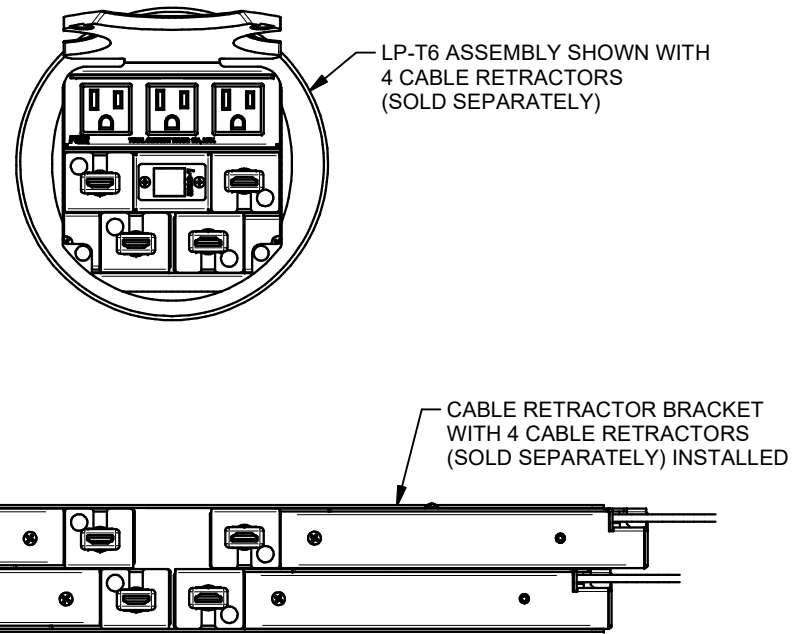
- * MINIMUM THICKNESS FOR ALL LP RETRACTORS EXCEPT FOR DISPLAY PORT: 1-1/8"
- * MINIMUM THICKNESS FOR DISPLAY PORT LP RETRACTOR: 1-1/2"



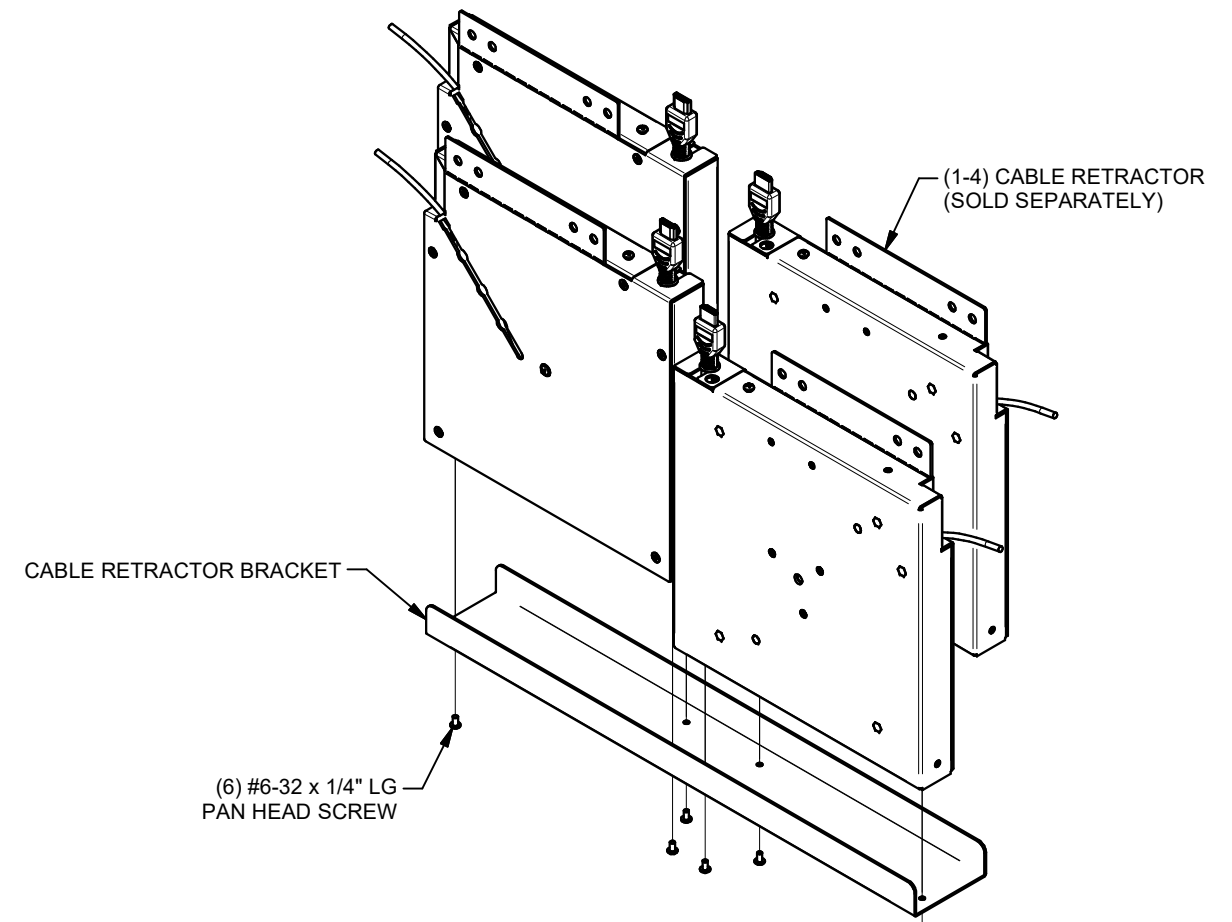
4. SQUARE THEN SECURE UNDERTABLE MOUNTING BRACKET TO TABLE WITH PROVIDED OR ALTERNATE HARDWARE. MAKE ELECTRICAL CONNECTIONS WITH SNAP-IN CONNECTOR AS REQUIRED.



5. INSTALL THE 4 CABLE RETRACTORS (SOLD SEPARATELY) ONTO CABLE RETRACTOR BRACKET (SEE CUSTOMER SPECS). REFERENCE PICTURES BELOW.



5. (CONTINUED)



6a. LINE UP HOLES AS SHOWN.

