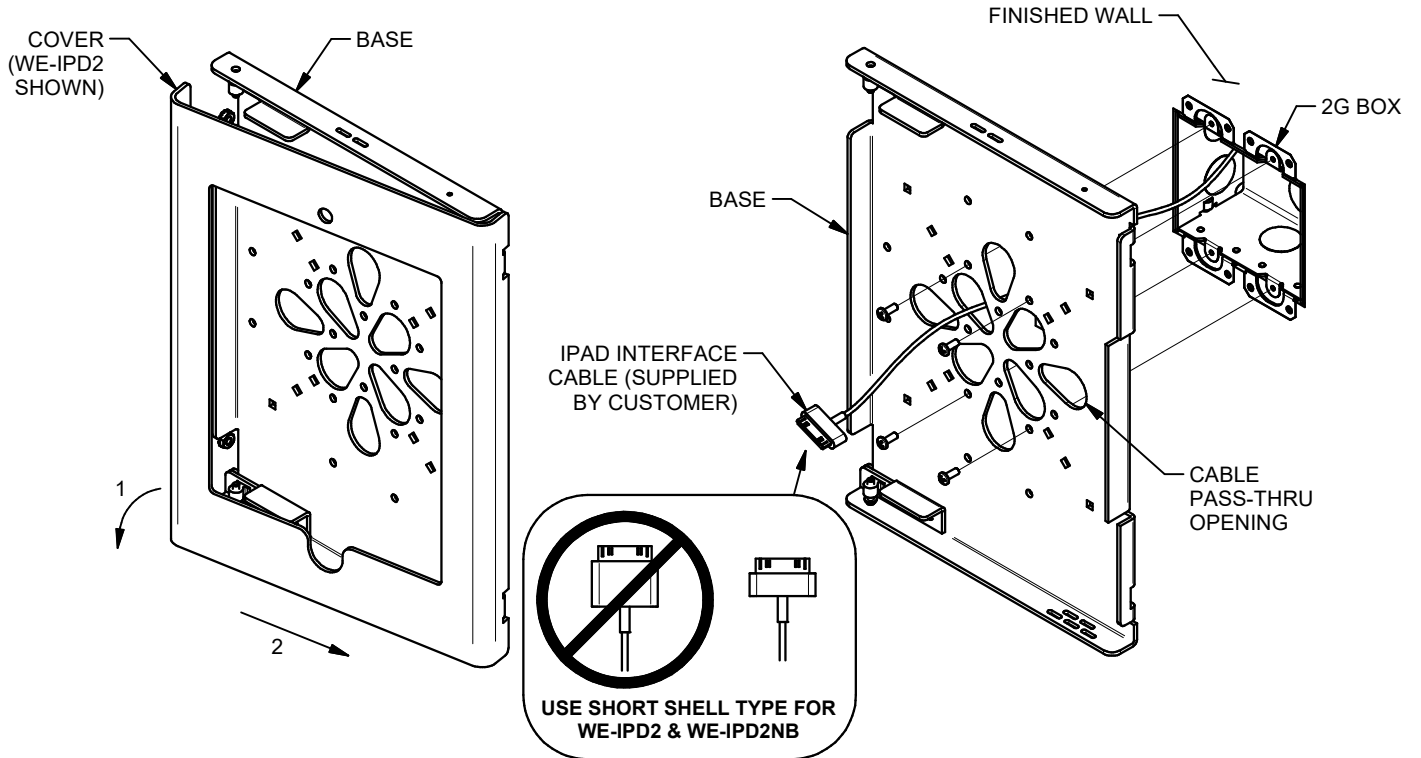


FSR WE-IPD2 / WE-IPD2NB / WE-IPMINI / WE-IPMININB INSTALLATION INSTRUCTIONS

244 Bergen Boulevard, Woodland Park, NJ 07424, Phone: 973.785.4347 - Fax: 973.785.4207

1. REMOVE COVER FROM BASE AS SHOWN.

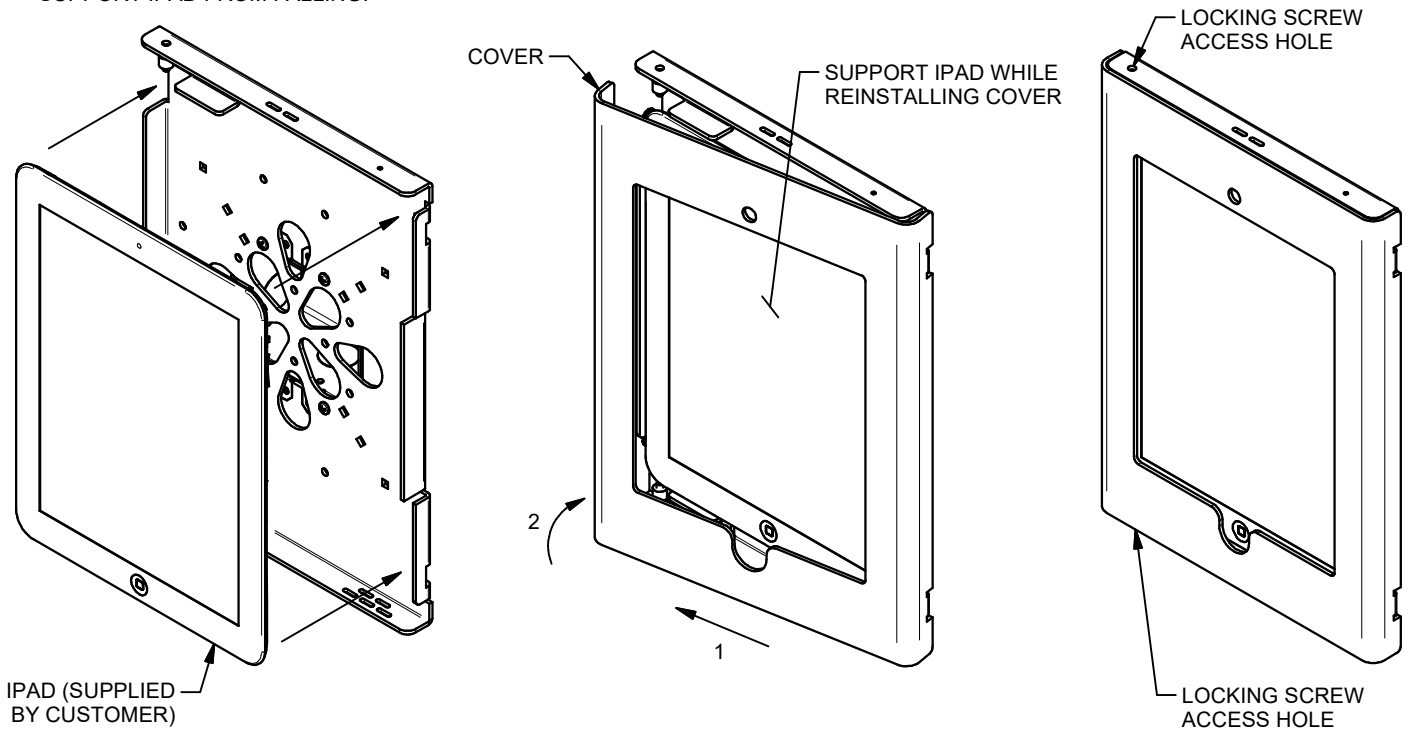
2. SECURE BASE TO WALL (SEE BACK OF THIS PAGE).



3. INSTALL PROVIDED SILICON SLEEVE (IF SUPPLIED WITH YOUR IPAD MOUNT) TO IPAD (SUPPLIED BY CUSTOMER) AND MAKE ELECTRICAL CONNECTIONS AS REQUIRED. POSITION IPAD IN BASE AND SUPPORT IPAD FROM FALLING.

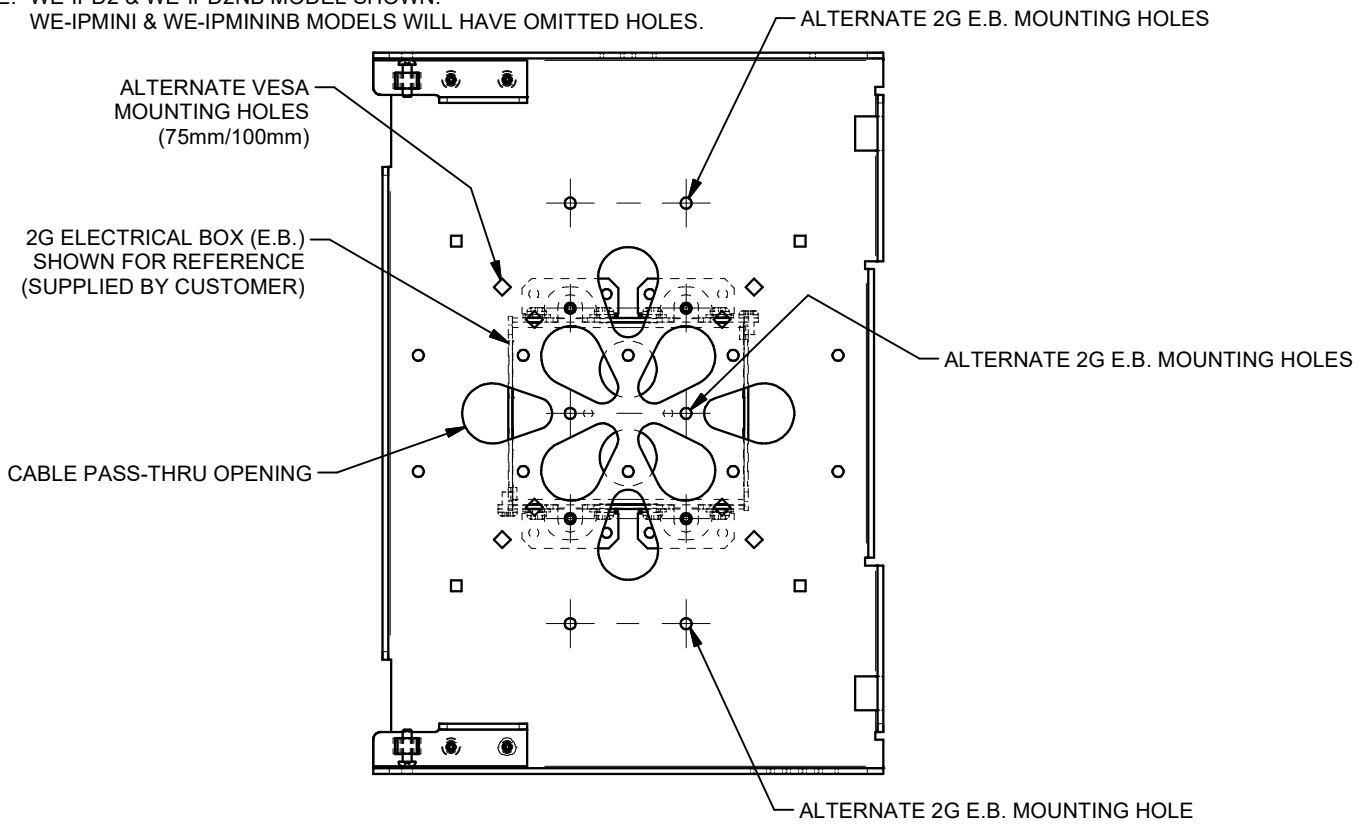
4. REINSTALL COVER AS SHOWN WHILE SUPPORTING IPAD FROM FALLING.

5. TIGHTEN (2) LOCKING SCREW COMPLETELY WITH SUPPLIED DRIVER. DO NOT OVER TIGHTEN.



NOTE: WE-IPD2 & WE-IPD2NB MODEL SHOWN.

WE-IPMINI & WE-IPMININB MODELS WILL HAVE OMITTED HOLES.



OR

