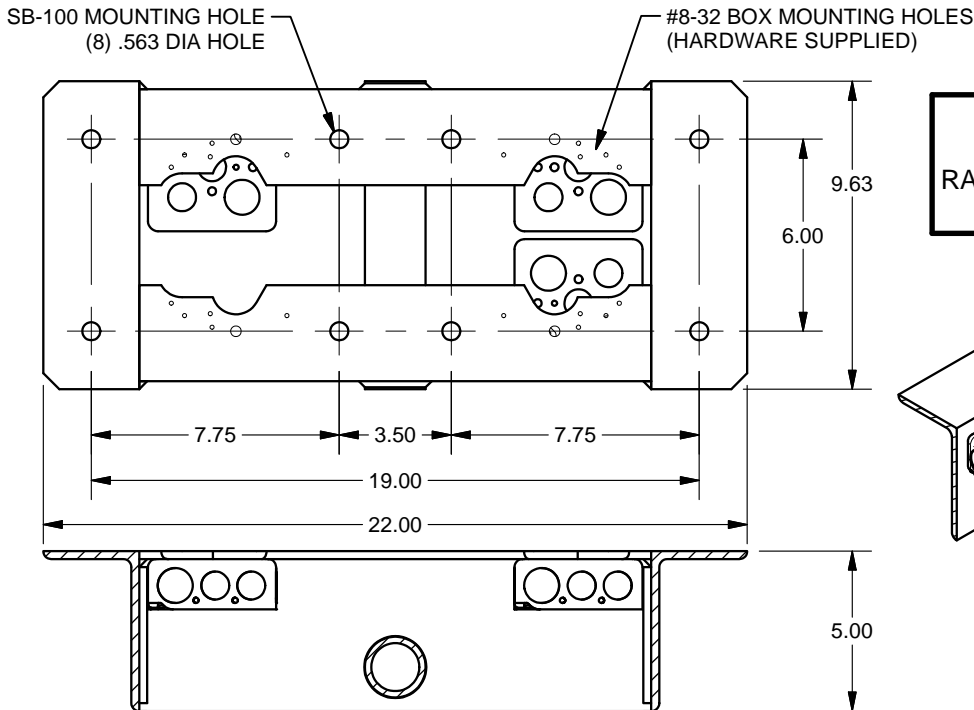


FSR SB-100 INSTALLATION INSTRUCTIONS

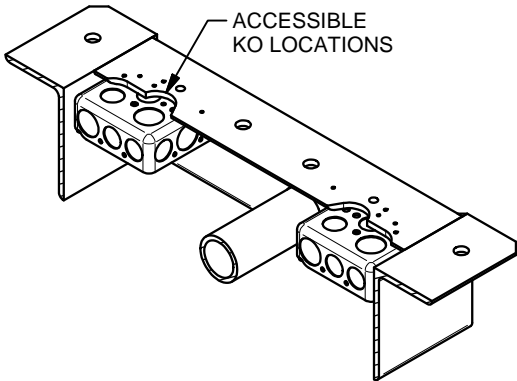
244 Bergen Boulevard, Woodland Park, NJ 07424, Phone: 973.785.4347 - Fax: 973.785.4207

NOTES:

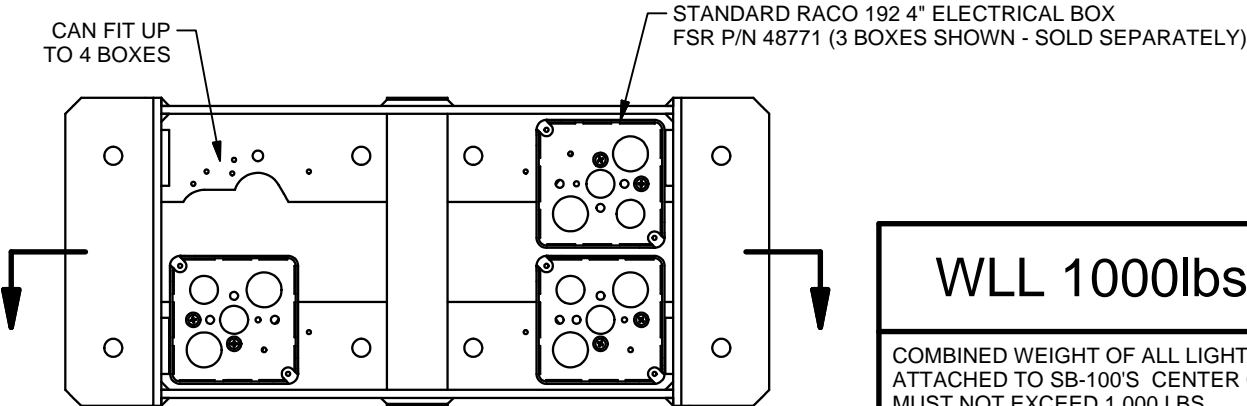
- * SB-100 MUST BE SECURED TO THE BUILDING STRUCTURE, AND BE PLUMB AND LEVEL.
- * THE SB-100'S FOUR CENTER MOUNTING HOLES MUST BE USED, AND FSR RECOMMENDS ALL EIGHT MOUNTING HOLES BE USED FOR SAFEST AND MOST SECURE INSTALLATION.
- * MOUNTING HARDWARE SIZE USED MUST BE 1/2-13 GRADE 2 OR BETTER (or M12 x 1.75 CLASS 4.8 OR BETTER), WITH WASHERS AND LOCK WASHERS/THREADLOCKING COMPOUND AS REQUIRED.
- * BUILDING STRUCTURE MUST BE ABLE TO WITHSTAND A LOAD OF 1,500 POUNDS MINIMUM AND UP TO 5,000 POUNDS FOR A BRIEF PERIOD WITHOUT PERMANENT DEFORMATION TO ANY PART OF THE STRUCTURE, IN ORDER TO MAINTAIN A 5X SAFETY RATING. CONSULT A STRUCTURAL ENGINEER TO VERIFY LOAD RATING OF BUILDING STRUCTURE.
- * ENSURE ALL MECHANICAL AND ELECTRICAL FITTINGS, WIRING, CONNECTORS AND INSTALLATION DETAILS CONFORM TO ALL APPLICABLE CODES.
- * COMBINED WEIGHT OF ALL LIGHTING/EQUIPMENT ATTACHED TO SB-100'S CENTER CROSS TUBE MUST NOT EXCEED 1,000 LBS.



CONSULT A STRUCTURAL ENGINEER TO VERIFY LOAD RATING OF BUILDING STRUCTURE AND ATTACHMENT MEANS.



SECTION

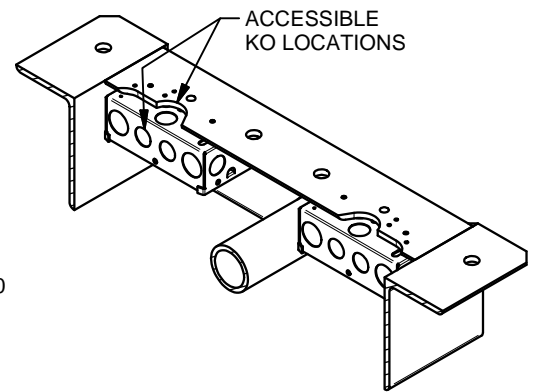
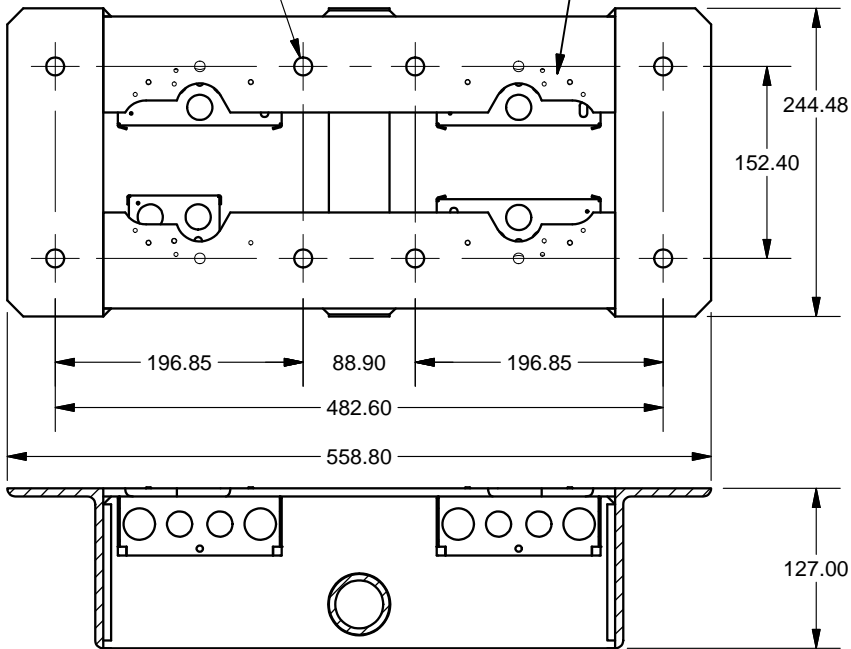


WLL 1000lbs MAX

COMBINED WEIGHT OF ALL LIGHTING/EQUIPMENT ATTACHED TO SB-100'S CENTER CROSS TUBE MUST NOT EXCEED 1,000 LBS.

SB-100 MOUNTING HOLE
(8) Ø14.30 HOLE

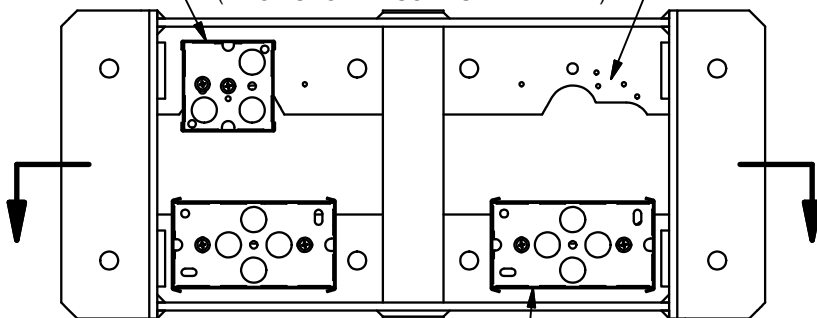
#8-32 BOX MOUNTING HOLES
(HARDWARE SUPPLIED)



SECTION

STANDARD BS 4662
72mm SQ ELECTRICAL BOX
INTERNATIONAL CONFIGURATIONS INC
FSR P/N 48777
(1 BOX SHOWN - SOLD SEPARATELY)

CAN FIT UP
TO 4 BOXES



STANDARD BS 4662
135mm x 75mm ELECTRICAL BOX
INTERNATIONAL CONFIGURATIONS INC
FSR P/N 48778
(2 BOXES SHOWN - SOLD SEPARATELY)