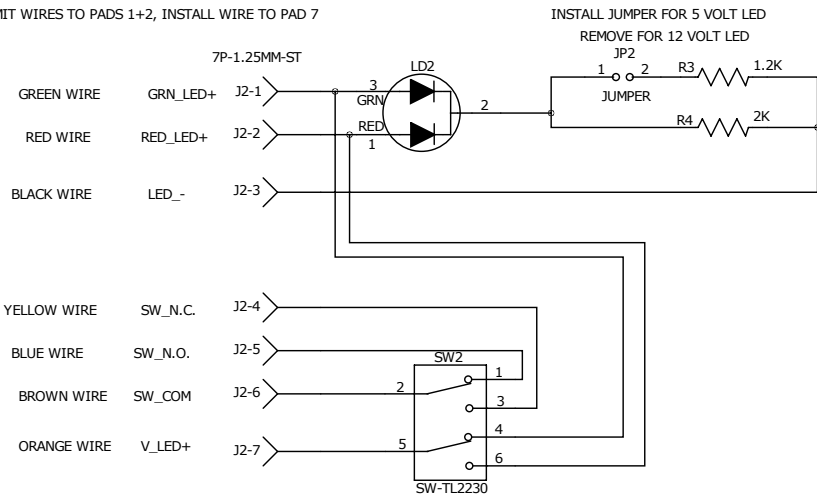
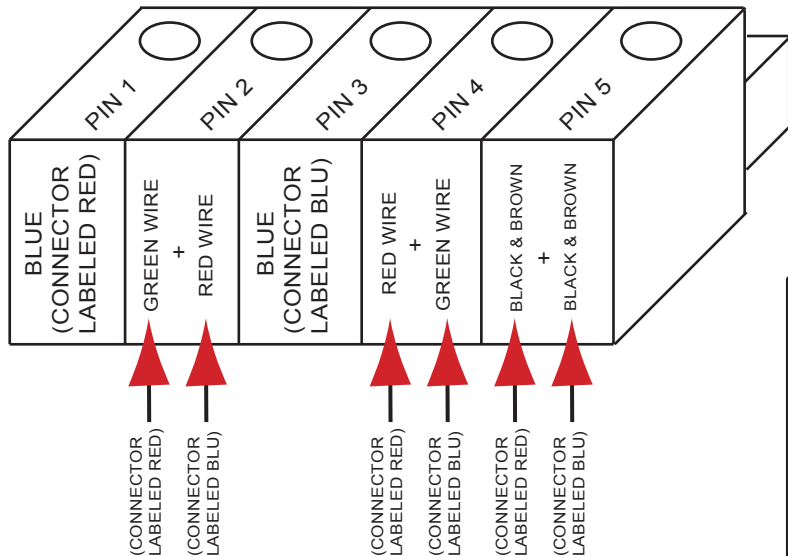


FOR LED 2 AUTO OPERATION  
OMIT WIRES TO PADS 1+2, INSTALL WIRE TO PAD 7



FOR LED 2 AUTO OPERATION  
OMIT WIRES TO PADS 1+2, INSTALL WIRE TO PAD 7

TO CONNECT TO DV-HSW-21 OR DV-MFSW-21  
INSTALL WIRE TAILS FROM T3 BOX AS SHOWN BELLOW.  
(JUMPER JP2 & JP3 SHOULD NOT BE INSTALLED)



**FSR**  
244 BERGEN BLVD.  
W. PATERSON, NJ 07424  
TEL. (973) 785-4347

T3-DUAL SW/LED WIRING TO 2X1 SWITCH

PRODUCT:	T3 2SW / 2LED	PART#	17585
DRAWN BY:	A.B.	DATE:	03-27-2017
APPROVED BY:		DATE:	
DWG.#	C-1191	REV.	PAGE 1 OF 1

REV. LEVEL	REF. ECO	REV. DATE	APPROVED	DESCRIPTION