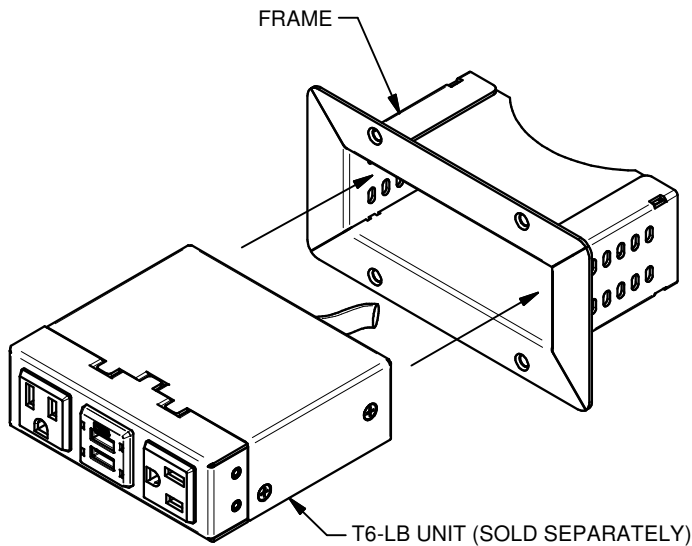
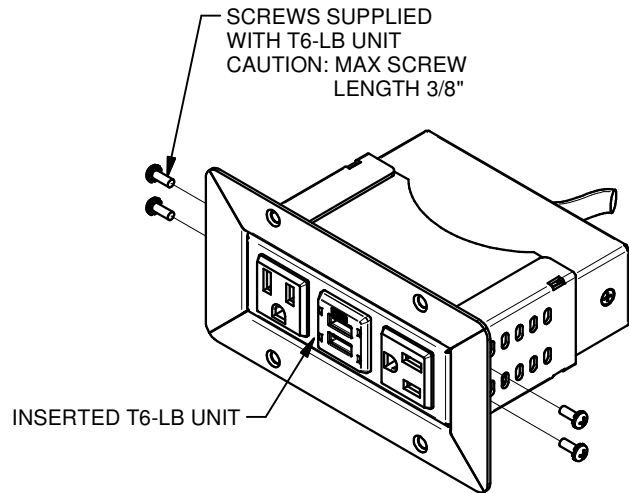


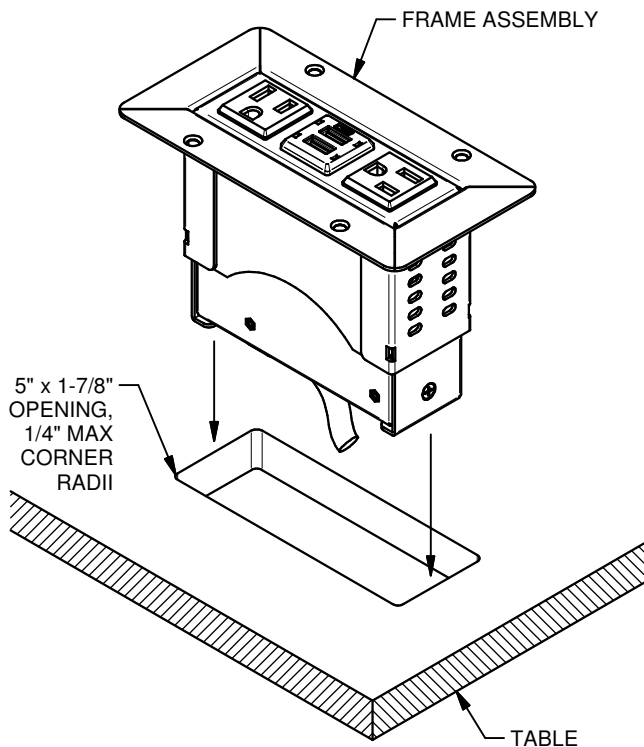
1. INSERT FSR SERIES T6-LB UNIT (SOLD SEPARATELY) INTO FRAME.



2. SECURE FSR SERIES T6-LB UNIT TO FRAME WITH SUPPLIED SCREWS.



3. DETERMINE LOCATION OF FRAME ASSEMBLY AND CUT 5" x 1-7/8" OPENING ON TABLE SURFACE. INSERT FRAME ASSEMBLY INTO OPENING.



4. USE FRAME AS TEMPLATE FOR PILOT HOLES AND SECURE FRAME ASSEMBLY TO TABLE WITH SUPPLIED MOUNTING SCREWS. MAKE ELECTRICAL CONNECTIONS AS REQUIRED.

