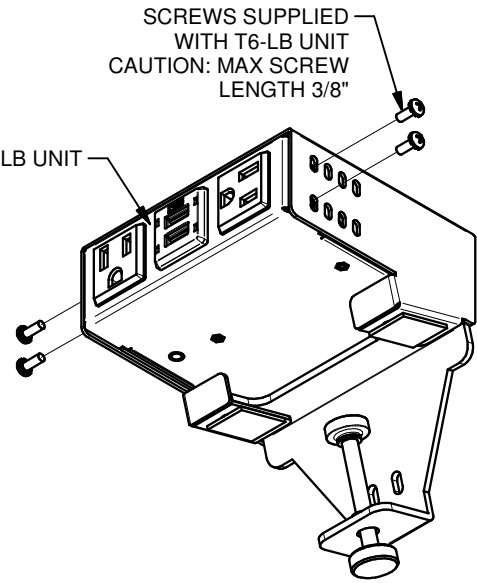
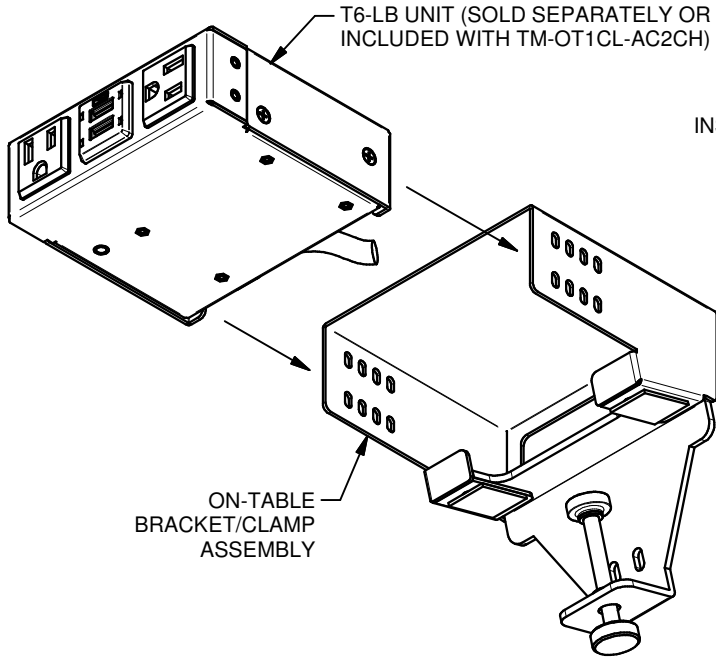


FSR TM-OT1CL / TM-OT1CL-AC2CH On-Table Bracket/Clamp Installation Instructions

244 Bergen Boulevard, Woodland Park, NJ 07424, Phone: 973.785.4347 - Fax: 973.785.4207

1. INSERT FSR SERIES T6-LB UNIT (SOLD SEPARATELY OR INCLUDED WITH TM-OT1CL-AC2CH) INTO BRACKET.

2. SECURE FSR SERIES T6-LB UNIT TO BRACKET WITH SUPPLIED SCREWS.



3. LOCATE AND SECURE TO TABLE BY TIGHTENING THUMB SCREW. MAKE ELECTRICAL CONNECTIONS AS REQUIRED.

