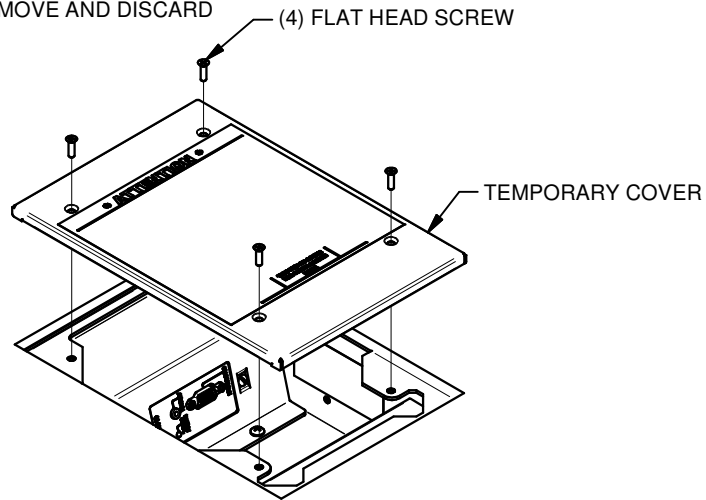
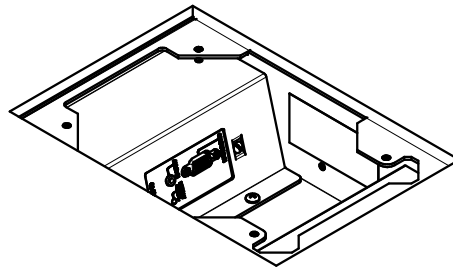


1. WHEN READY TO INSTALL COVER, REMOVE AND DISCARD TEMPORARY COVER AND SCREWS.



2. INSTALL CABLE INTERFACES AND CONNECTOR PLATES IF PREVIOUSLY NOT INSTALLED.



3. INSTALL COVER WITH SUPPLIED FLAT HEAD SCREWS.

