

Multi-Person HuddleVU System Includes:

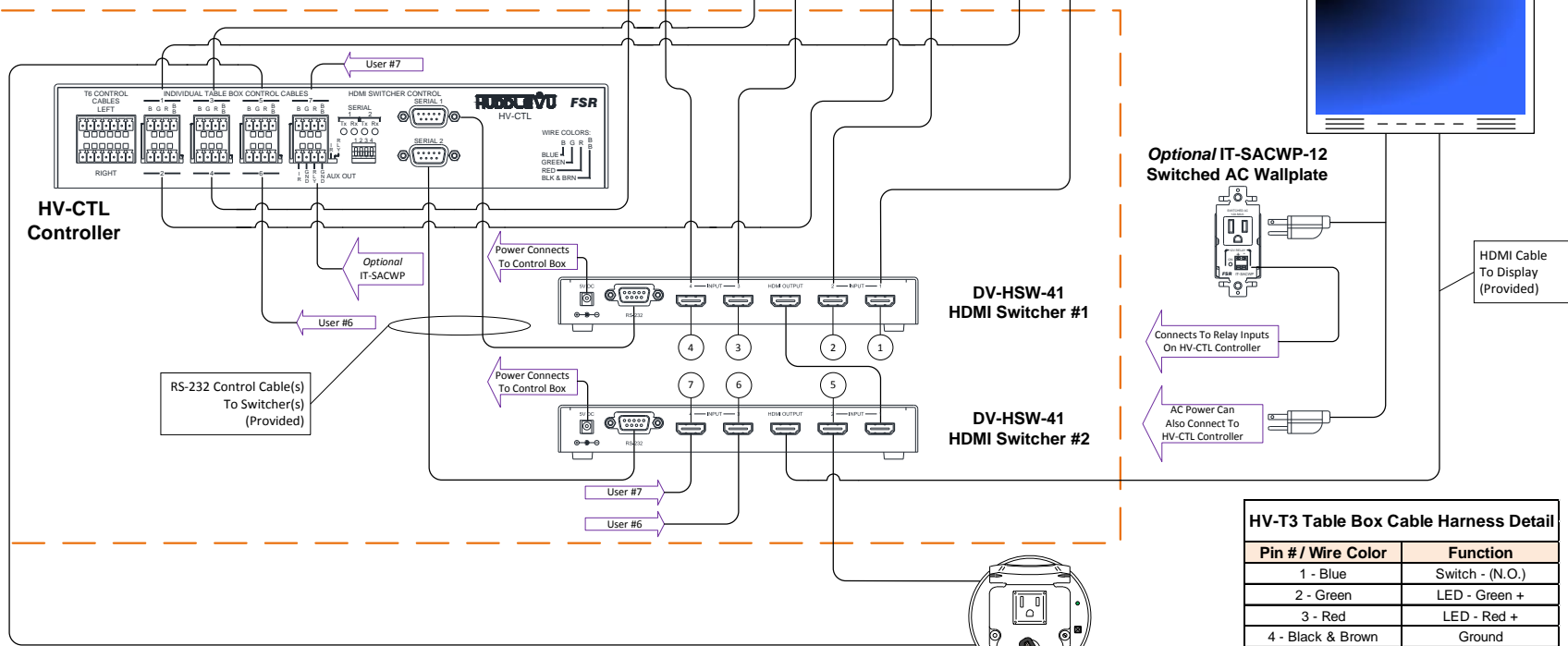
- 1 – HV-CTL, HuddleVU Control Unit
- 1 – Null Modem 6' Serial Cable
- 1-HDMI 10' Cable (To Display)
- 1-DV-HSW-41, HDMI Switcher (Up To 4 Users)
- (2nd DV-HSW-41 & Null Modem 6' Serial Cable Included With 5+ User Packages)
- 1 – HV-T3-BLK, Table Box (Per User)
- 1 – 6' HDMI & Control Cable (Included in HV-T3-BLK)

HuddleVU Multi-Person Systems:

- HV-300 HuddleVU (3 Users)
- HV-400 HuddleVU (4 Users)
- HV-500 HuddleVU (5 Users)
- HV-600 HuddleVU (6 Users)
- HV-700 HuddleVU (7 Users)

Single User T3 Boxes (mounted in table)

Equipment Mounted Under Table



Single User T3 Box (mounted in table)



*Switches are Normally Open (N.O.) contact closure to ground
LED drive voltage is 10.5 Vdc, nominal 6 mA, current limited at LED