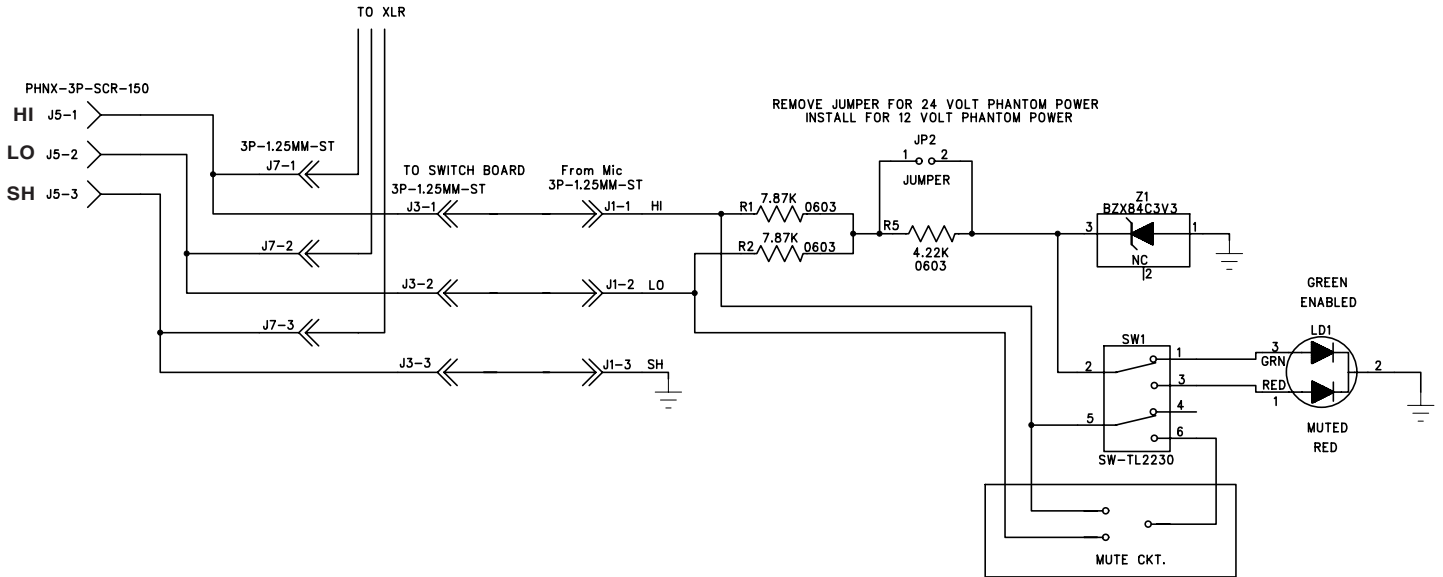
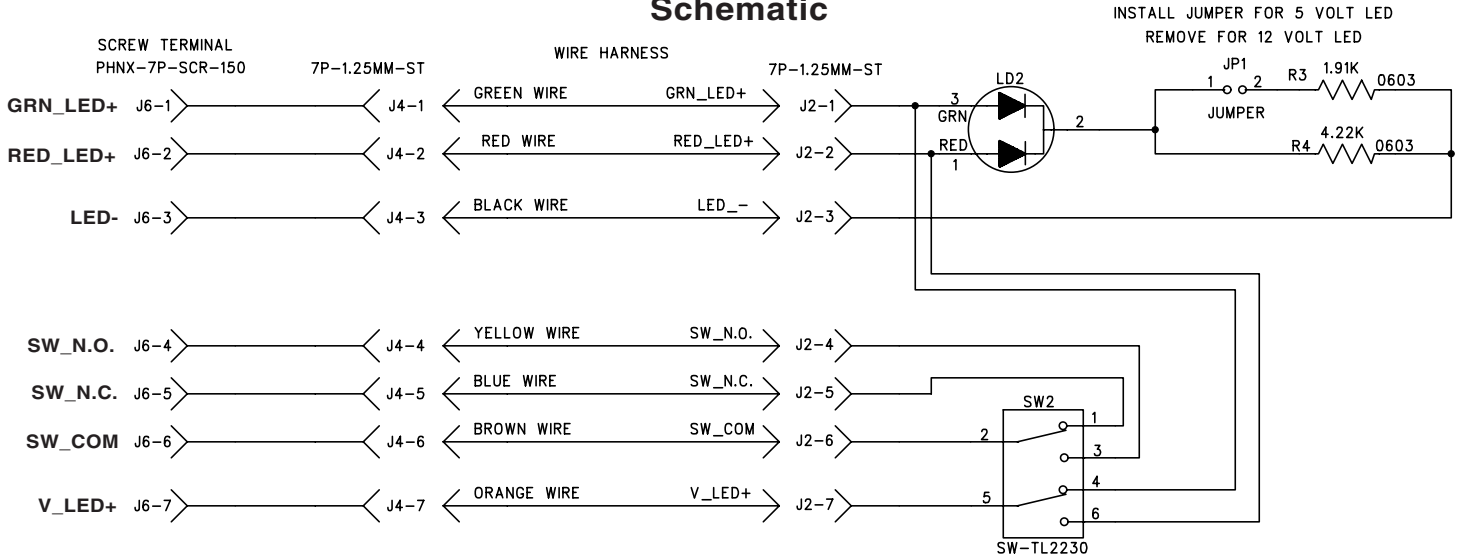


Schematic



Schematic



**For Led drive use one or the other only:
Connect to J6 Pin 1&2 for external led drive,
or connect to J6 Pin 7 for self generated feedback.**

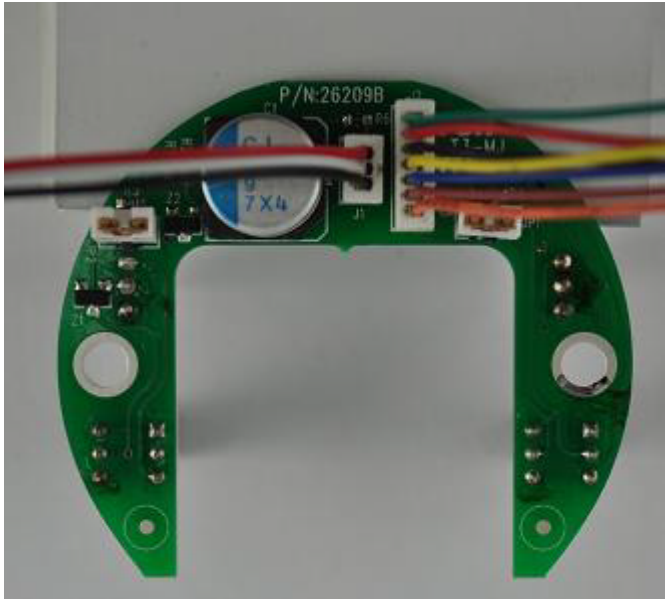
FSR

244 BERGEN BLVD.
W. PATERSON, NJ 07424
TEL. (973) 785-4347

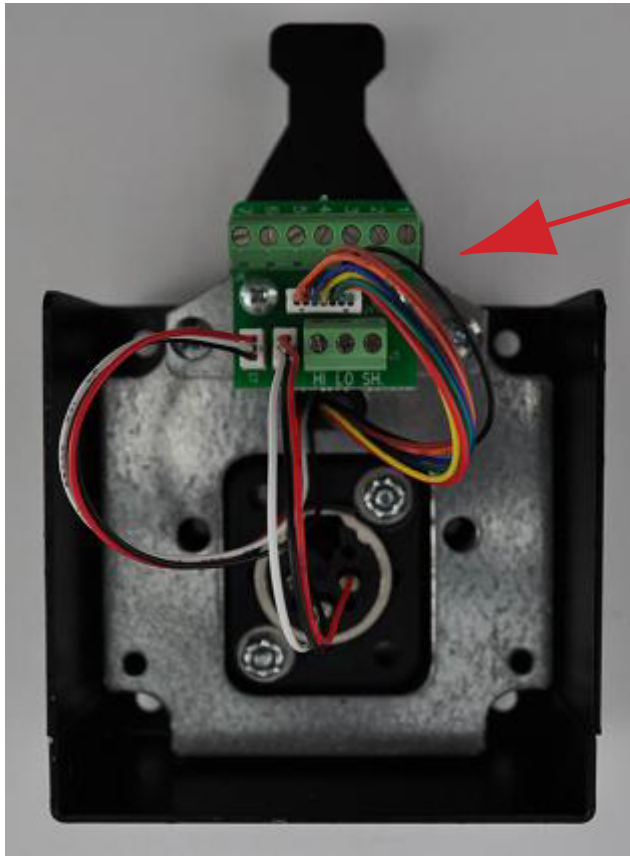
T3-MJ-2B WITH MUTE

PRODUCT:	T3-MJ-2B MUTE	PART#	17244
DRAWN BY:	AB	DATE:	11-04-2011
APPROVED BY:		DATE:	
DWG.#	C-1160	REV.	PAGE 1 OF 2

REV. LEVEL	REF. ECO	REV. DATE	APPROVED	DESCRIPTION



After installing the cover in the table, insert wire harnesses into this hole.



Plug the wire harnesses to PCB headers as shown.

NOTE: PCB HEADERS ARE FRAGILE, ONCE INSTALLED, DISCONNECTING IS NOT RECOMENDED.

FSR

244 BERGEN BLVD.
W. PATERSON, NJ 07424
TEL. (973) 785-4347

T3-MJ-2B WITH MUTE

PRODUCT: **T3-MJ-2B MUTE**

PART#
17244

DRAWN BY: **AB**

DATE:
11-04-2011

APPROVED BY:

DATE:

DWG.# **C-1160**

REV. PAGE OF
2 2

REV. LEVEL	REF. ECO	REV. DATE	APPROVED	DESCRIPTION