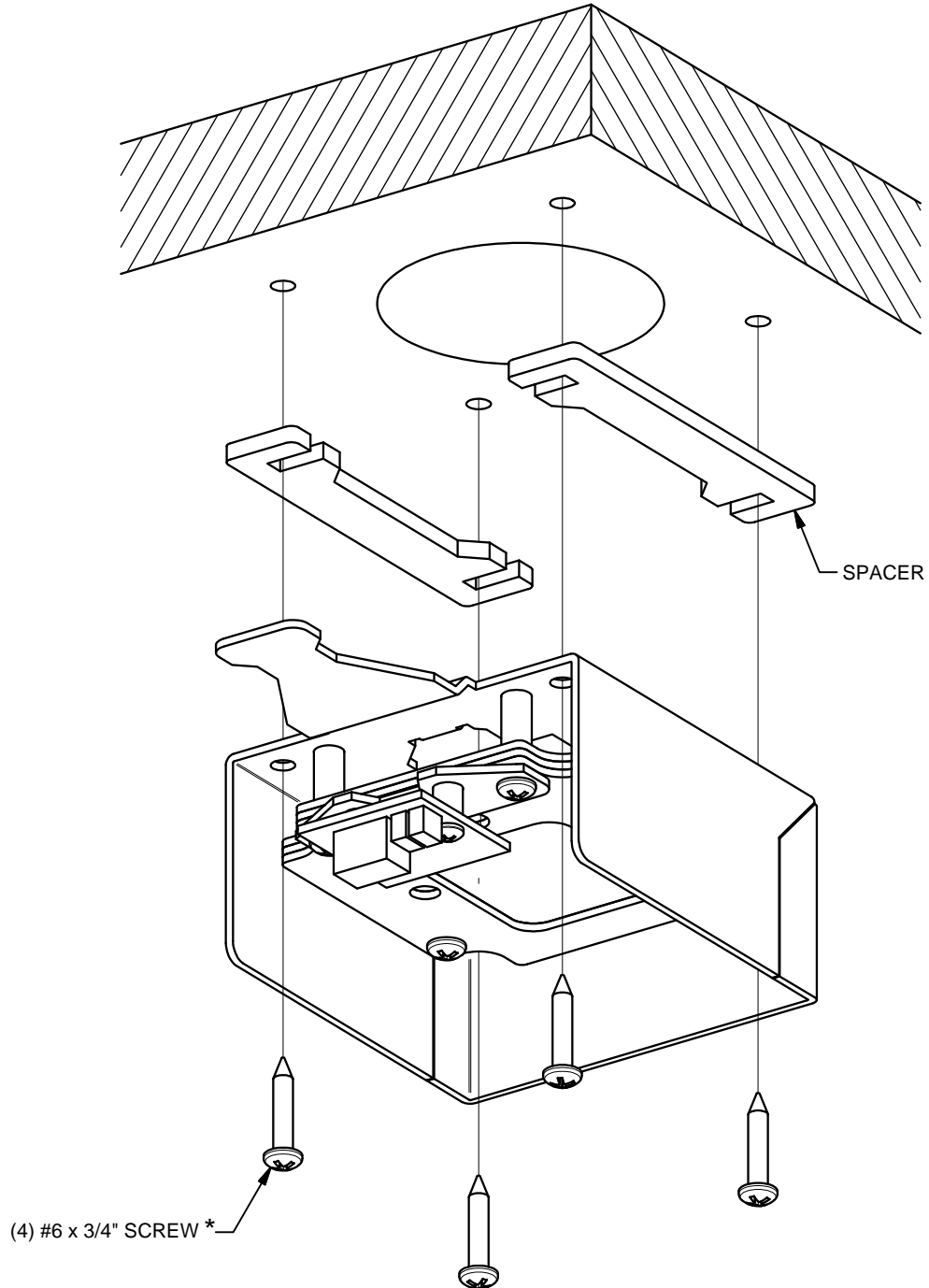


SHIM KIT INSTALLATION FOR TABLE SURFACES LESS THAN 1-1/8" THICK



* REPLACE EXISTING #6 x 1/2" MOUNTING SCREWS
WITH ENCLOSED #6 x 3/4" SCREWS IF REQUIRED.