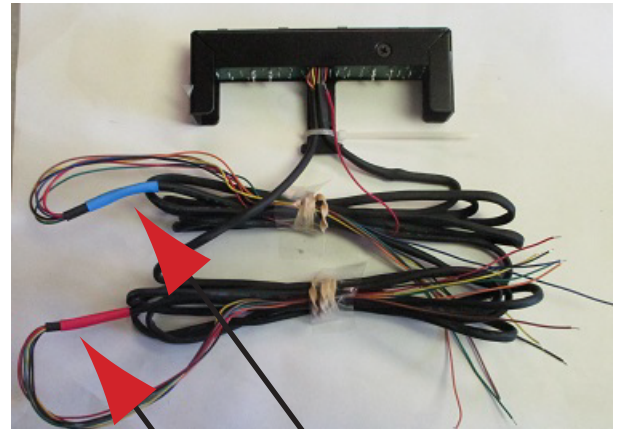
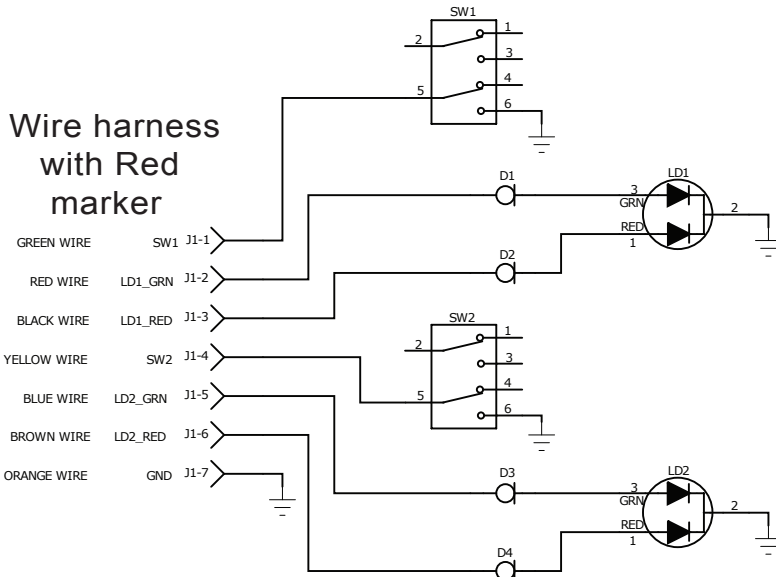


SW1 / LD1      SW2 / LD2                      SW3 / LD3      SW4 / LD4

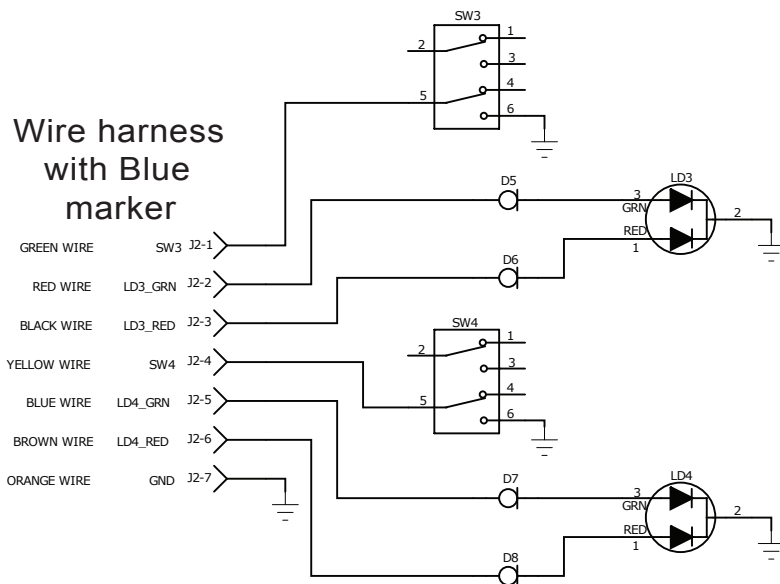


**Wire harness with Red marker**



Wire harness with Blue marker = SW3/LD3 and SW4/LD4

**Wire harness with Blue marker**



Wire harness with Red marker = SW1/LD1 and SW2/LD2

**FSR**

244 BERGEN BLVD.  
 W. PATERSON, NJ 07424  
 TEL. (973) 785-4347

**RT6-HLB-4MOM WIRING**

PRODUCT: RT6-HLB-4MOM		PART# 17918
DRAWN BY: A.B.		DATE: 11-02-2016
APPROVED BY:		DATE:
DWG.# C-1188	REV.	PAGE 1 OF 1

REV. LEVEL	REF. ECO	REV. DATE	APPROVED	DESCRIPTION