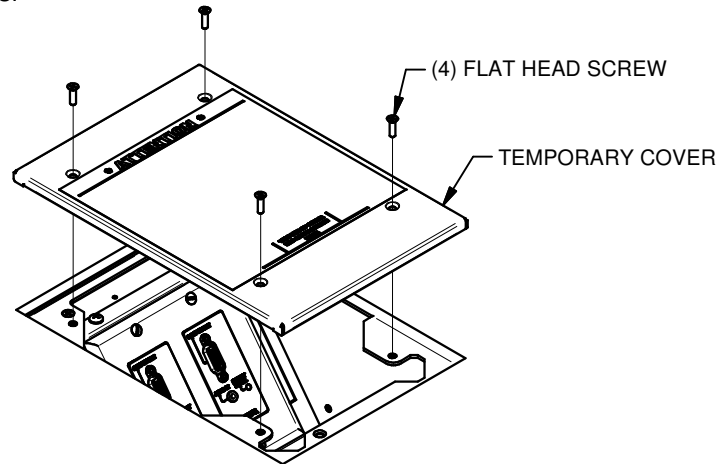
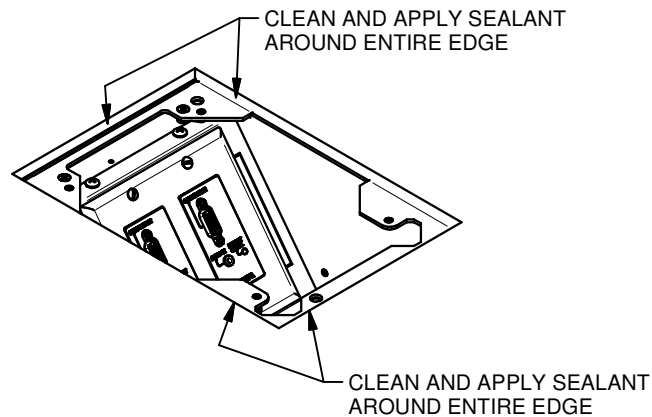


1. WHEN READY TO INSTALL SF4 COVER, REMOVE AND DISCARD TEMPORARY COVER AND SCREWS.



2. INSTALL CABLE INTERFACES AND CONNECTOR PLATES IF PREVIOUSLY NOT INSTALLED. CLEAN AREA IN AND AROUND ENTIRE TOP EDGE OF BOX AND APPLY 1/4" CONTINUOUS BEAD OF RTV SILICONE SEALANT.



3. INSTALL SF4 ADAPTER PLATE WITH SUPPLIED FLAT HEAD SCREWS. APPLY RTV SILICONE SEALANT TO UNDERSIDE OF SCREWS. REFER TO SF4 COVER INSTALLATION INSTRUCTIONS TO COMPLETE INSTALLATION.

NOTE: COVER SHIM KIT (FL-200-CSK) MAY BE REQUIRED TO SET THE HEIGHT OF BOX "PRE-POUR" SO THE TOP OF FINISH COVER MATCHES TOP OF FINISHED FLOOR.

