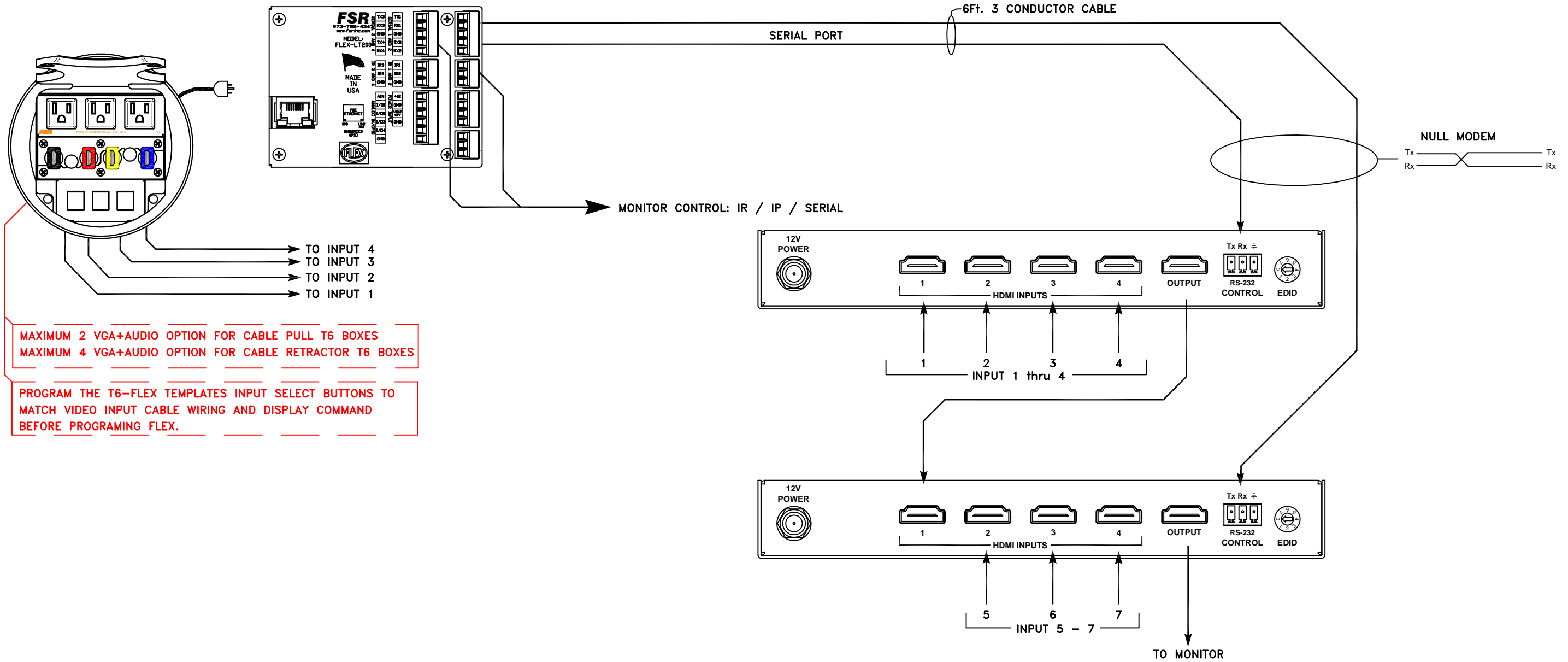


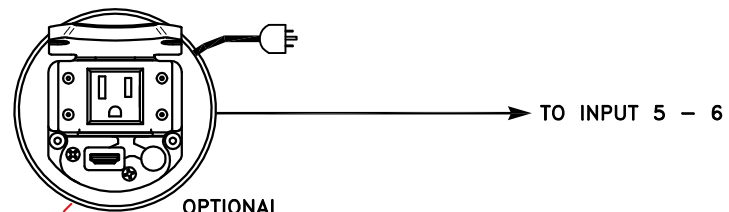
REQUIRED SYSTEM



MAXIMUM 2 VGA+AUDIO OPTION FOR CABLE PULL T6 BOXES
MAXIMUM 4 VGA+AUDIO OPTION FOR CABLE RETRACTOR T6 BOXES

PROGRAM THE T6-FLEX TEMPLATES INPUT SELECT BUTTONS TO MATCH VIDEO INPUT CABLE WIRING AND DISPLAY COMMAND BEFORE PROGRAMMING FLEX.

OPTIONS FOR HVTB28" AND HVTB-35"



OPTIONAL
TWO HV-T3 (NOT AVAILABLE FOR HVTB-MINI)

MAXIMUM 1 VGA+AUDIO OPTION FOR CABLE PULL T3 BOXES
MAXIMUM 1 VGA+AUDIO OPTION FOR CABLE RETRACTOR SYSTEMS

REQUIRED SYSTEM	FSR P/N	QTY.
HV-T6-FLEX-BLK	17595	1
HV-T3	17596	2
DV-HSW4K-41	17796	2
BAG'O CABLES FOR HV-4	29936	1
BAG'O PARTS	29937	1
HV-T3 RETRACTOR BRACKET	53209	1

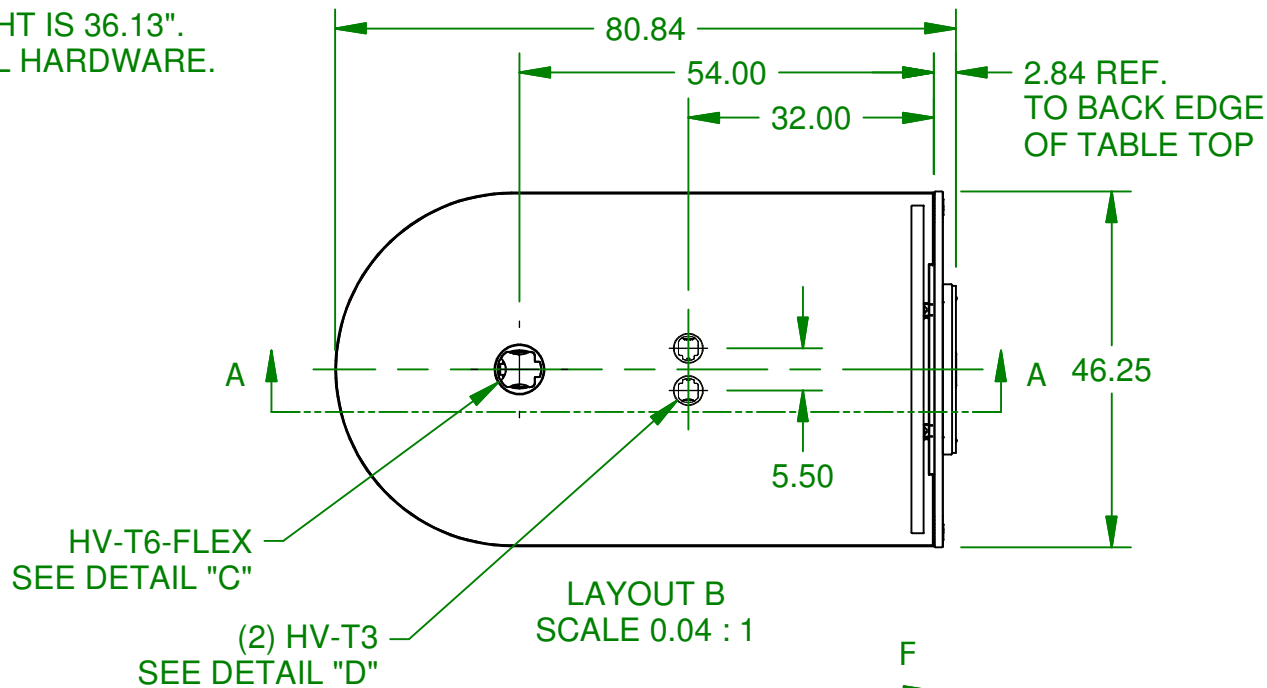
The drawing and specifications, herein are the property of FSR Inc. and shall not be reproduced or copied or used in whole or in part as the basis for the manufacture or sale of items without written permission.

 244 Bergen Blvd. W. Paterson, NJ 07424 Tel: (201) 785-4347	TITLE:
	HuddleVu FLEX TABLE SIX INPUT WIRING DIAGRAM FLEX TOUCH with DV-HSW4K-41

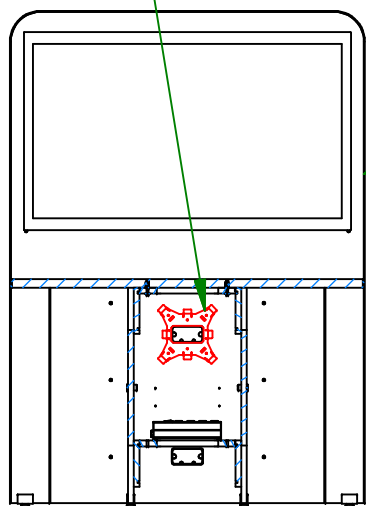
NOTES:	SCALE: -
DATE: 10-09-2015	DRAWN BY: A.B.
UPDATE NO.: INITIAL	SIGN OFF:
CLIENT:	DWG. NO. 17867

NOTES:
 1. TABLE HEIGHT SHOWN; COUNTER HEIGHT IS 36.13".
 2. IF REMOVED, REINSTALL WITH ORIGINAL HARDWARE.

REV	DATE	CHANGE DESCRIPTION
01	10/04/16	ADDED CABLE GUIDE AND CABLE TAKE-UP.



CABLE TAKE-UP CENTERED ON 4" X 2" OPENING SEE NOTE #2



REAR WALL PANEL (OPTIONAL)

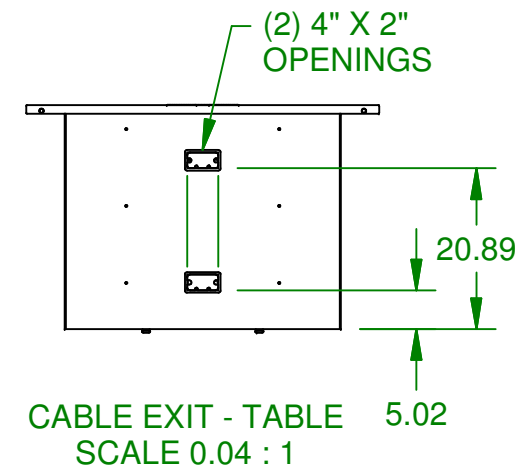
(6) CABLE RECTRACTORS (OPTIONAL)

29.13 SEE NOTE #1

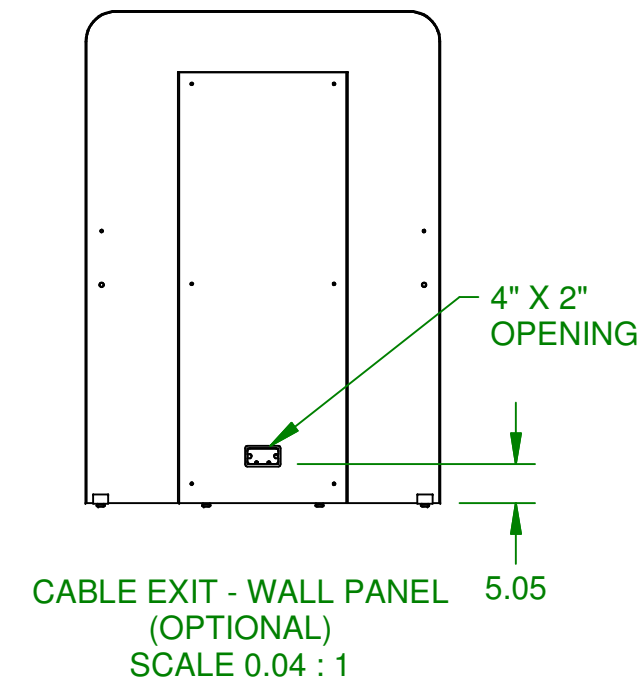
(2) DV-HSW4K-41

SECTION A-A
SCALE 0.04 : 1

64.00

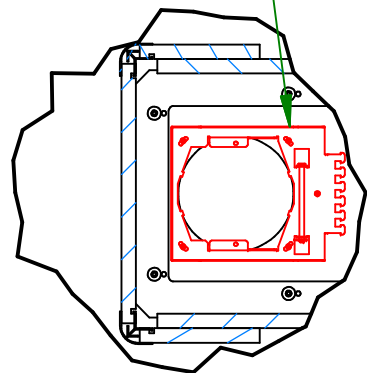


(2) 4" X 2" OPENINGS

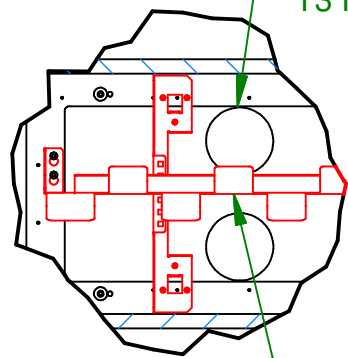


4" X 2" OPENING

T6 UNDER-TABLE CLAMP CENTERED ON 6" HOLE SEE NOTE #2

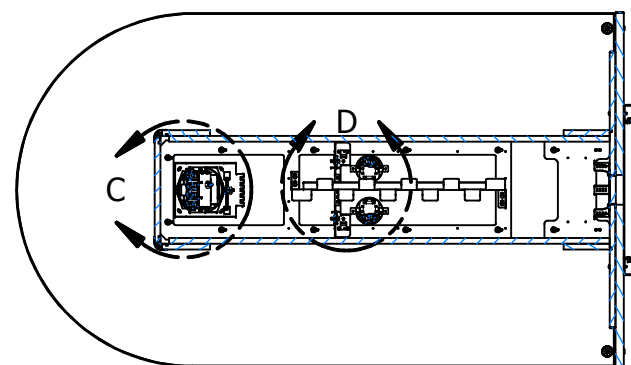


REMOVE MATERIAL AS NEEDED TO EASE T3 INSTALLATION

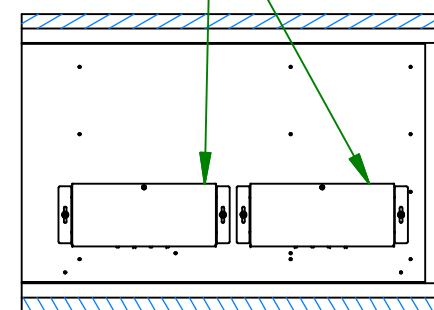


CABLE GUIDE SEE NOTE #2

MOUNT TO AVAILABLE PILOT HOLES IN BASE SEE NOTE #2



SECTION E-E
SCALE 0.1 : 1



FSR inc. 244 BERGEN BLVD. WOODLAND PARK, NJ 07424 TEL. (973) 785-4347 FAX. (973) 785-3318		PROJECT: HV TABLE	
		TITLE: HUDDLEVU FLEX TABLE, 6 INPUT W/DV-HSW4K-41	
TOLERANCES: .XX ±.02 .XXX: ±.01 FRACT: ±1/64 ANGLES: ±1°		SCALE: DO NOT SCALE DRAWING	ORIGINALLY DRAWN BY: GKV DATE: 12/10/15
HOLES or COUNTERBORES, INTENDED FOR PEMs OR OTHER INSERTED HARDWARE: +.003 / -0		APPROVED: D Hansen DATE: 10/04/16	CURRENT REV. DRAWN BY: GKV DATE: 10/04/16
NETWORK INFORMATION:		DWG.#: 25B7678	REV. PART#: 01 17867
FILE NAME: 25B7678 DATE: 10/04/16		DIRECTOR: G:\TABLEBOX\TABLES	